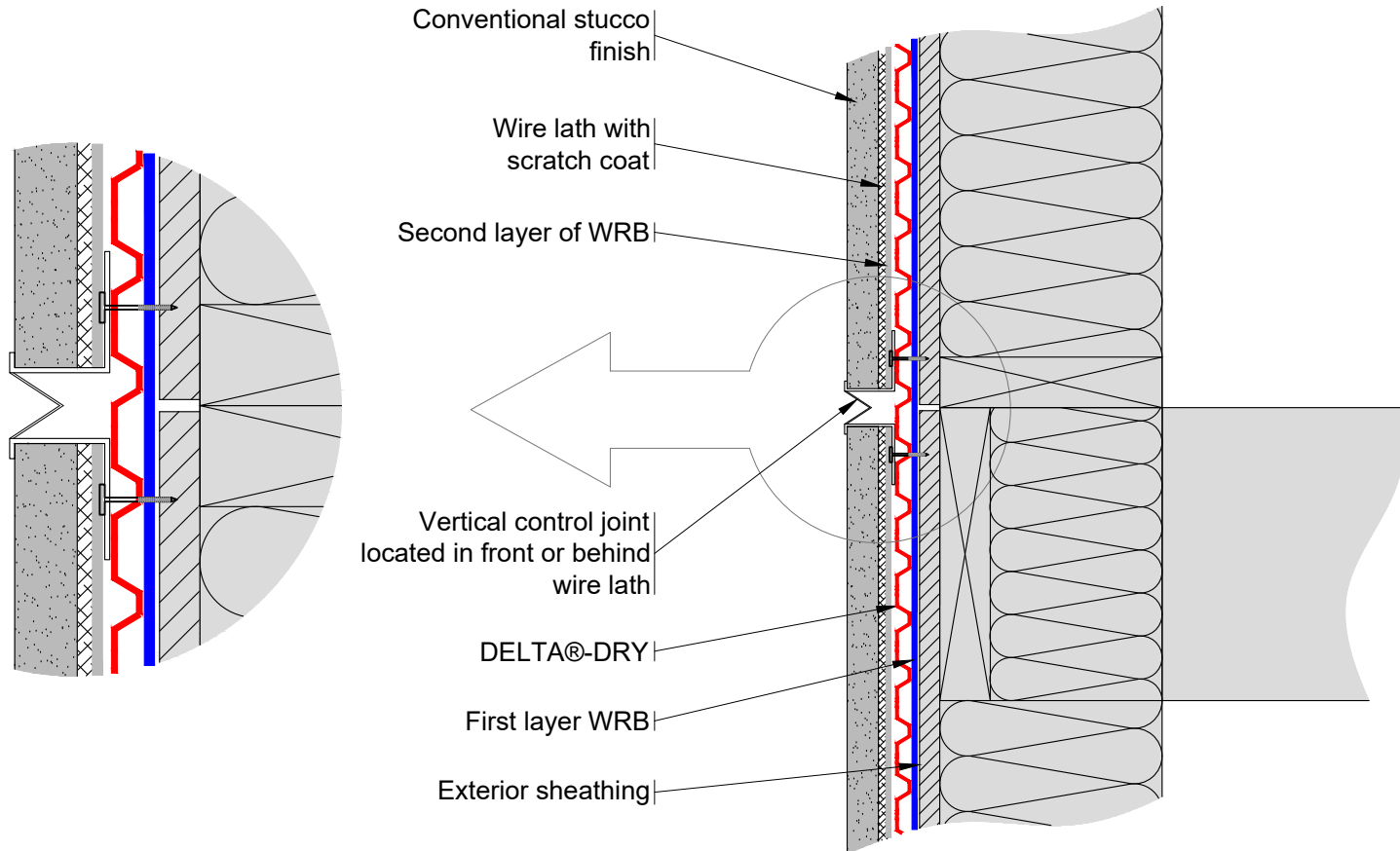


NOTE:  
WRB (WATER-RESISTIVE BARRIER) TO BE  
INSTALLED AS PER MANUFACTURER'S  
SPECIFICATIONS



**\*\*For proper performance of DELTA@-DRY ensure top and bottom remain open to allow ventilation and drainage\*\***

SUBSTANTIAL EFFORT HAS BEEN MADE TO ENSURE THAT THE INFORMATION IN THIS DETAIL DRAWING IS ACCURATE. DÖRKEN SYSTEMS INC. CANNOT ACCEPT RESPONSIBILITY FOR ANY ERRORS OR OVERSIGHTS IN THE USE OF THIS MATERIAL OR IN THE PREPARATION OF ARCHITECTURAL OR ENGINEERING PLANS. THE DESIGN PROFESSIONAL MUST RECOGNIZE THAT NO DESIGN DETAIL CAN SUBSTITUTE FOR EXPERIENCED ENGINEERING AND PROFESSIONAL JUDGEMENT.

TITLE:

### TYPICAL VERTICAL CONTROL JOINT

DRAWN BY: Krzysztof Apriasz C. Tech., CPHC®

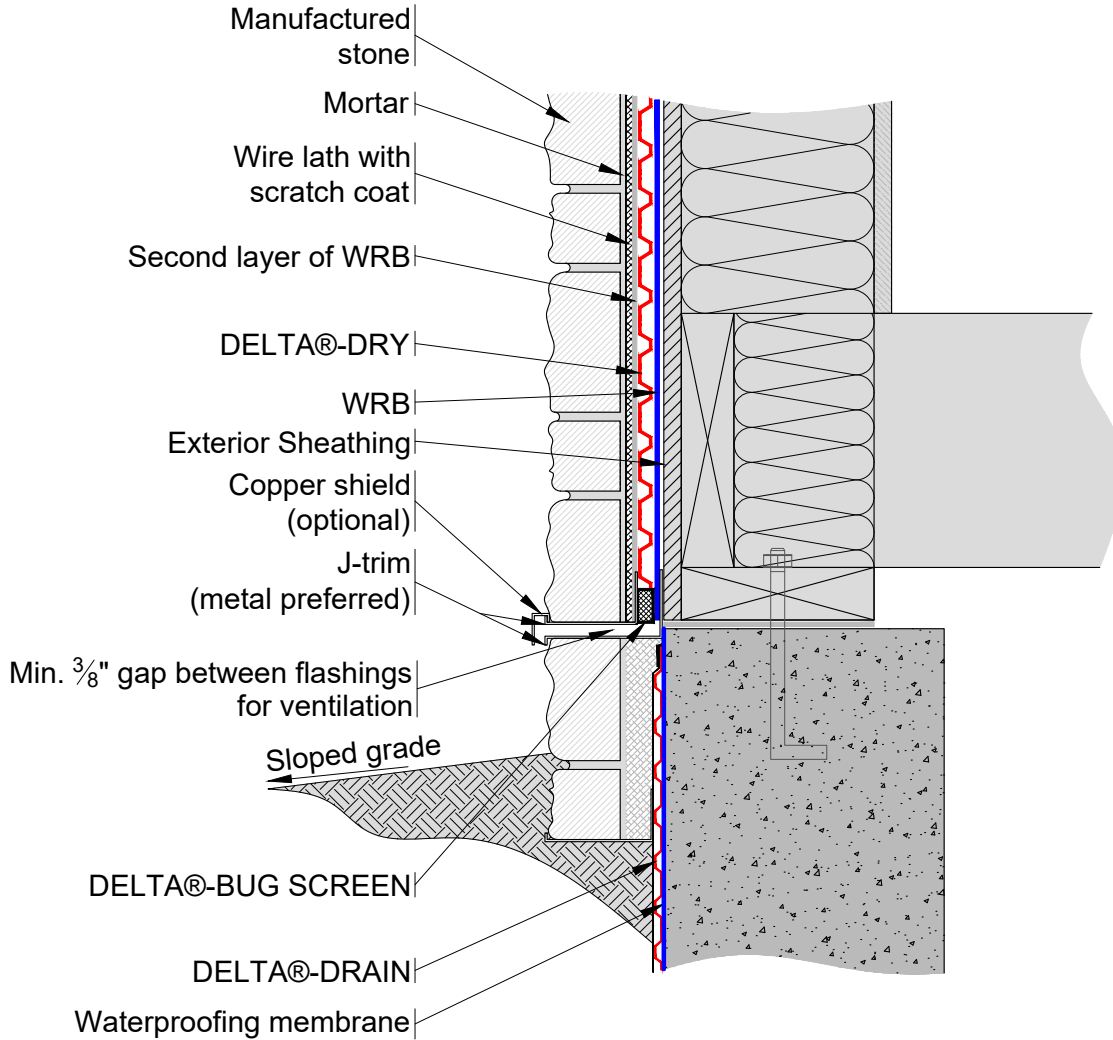
DATE: March 25, 2009  
 SCALE: NTS

FILE NAME:  
 DRY\_CONTROLJOINT



4655 DELTA WAY BEAMSVILLE, ON. L0R 1B4 CANADA  
 1-888-433-5824 or 1-905-563-3255

NOTE:  
WRB (WATER-RESISTIVE BARRIER) TO BE  
INSTALLED AS PER MANUFACTURER'S  
SPECIFICATIONS



**\*\*For proper performance of DELTA®-DRY ensure top and bottom remain open to allow ventilation and drainage\*\***

SUBSTANTIAL EFFORT HAS BEEN MADE TO ENSURE THAT THE INFORMATION IN THIS DETAIL DRAWING IS ACCURATE. DÖRKEN SYSTEMS INC. CANNOT ACCEPT RESPONSIBILITY FOR ANY ERRORS OR OVERSIGHTS IN THE USE OF THIS MATERIAL OR IN THE PREPARATION OF ARCHITECTURAL OR ENGINEERING PLANS. THE DESIGN PROFESSIONAL MUST RECOGNIZE THAT NO DESIGN DETAIL CAN SUBSTITUTE FOR EXPERIENCED ENGINEERING AND PROFESSIONAL JUDGEMENT.

TITLE:

MANUFACTURED STONE BELOW  
 GRADE WITH DELTA®-DRY

DRAWN BY: Krzysztof Apriasz C. Tech., CPHC®

Date: January 21, 2010

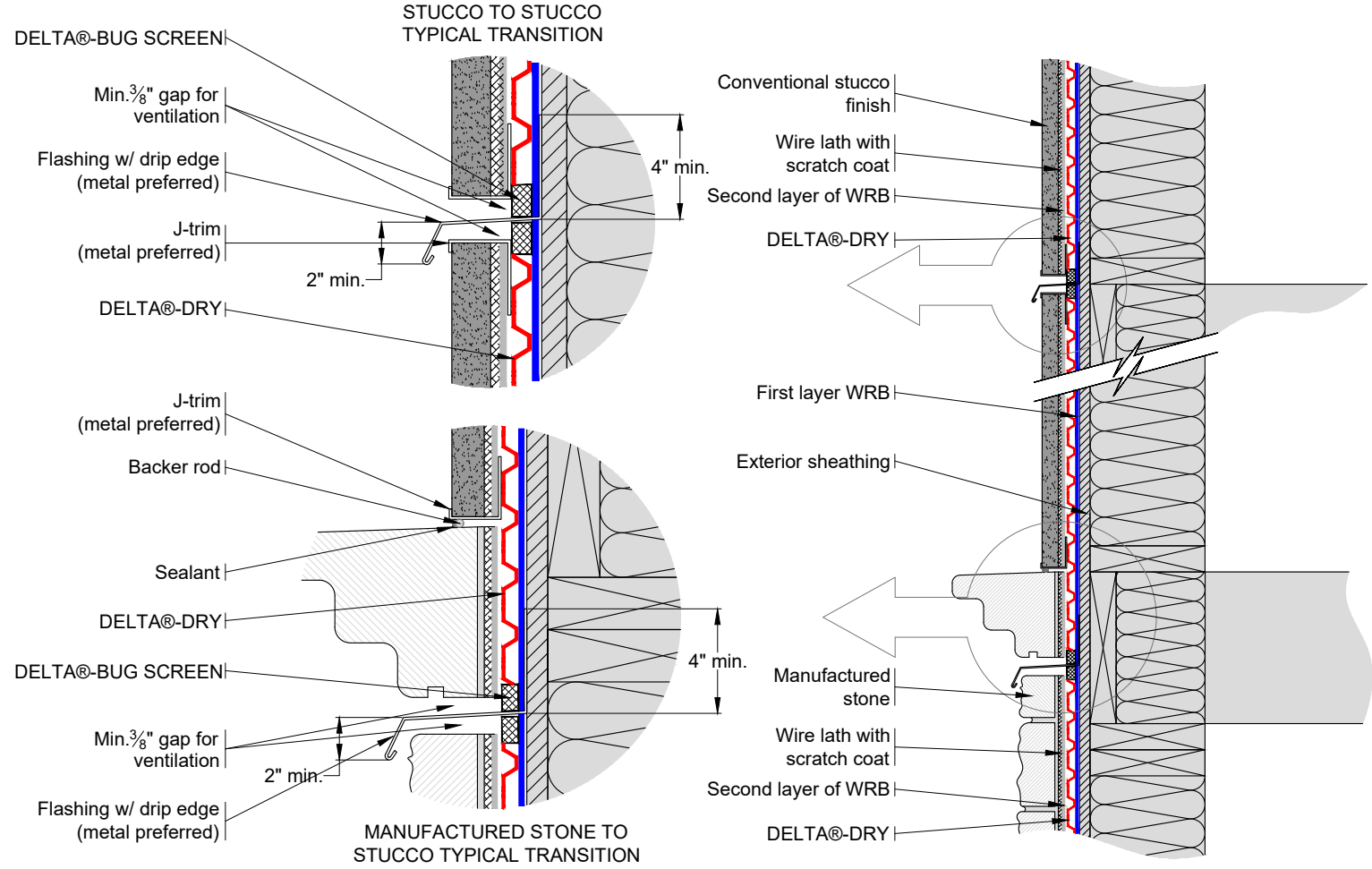
File Name: DRY\_MSB

**DÖRKEN**

**DELTA®**

4655 DELTA WAY BEAMSVILLE, ON. L0R 1B4 CANADA  
 1-888-433-5824 or 1-905-563-3255

**NOTE:**  
**WRB (WATER-RESISTIVE BARRIER) TO BE**  
**INSTALLED AS PER MANUFACTURER'S**  
**SPECIFICATIONS**



**\*\*For proper performance of DELTA@-DRY ensure top and bottom remain open to allow ventilation and drainage\*\***

SUBSTANTIAL EFFORT HAS BEEN MADE TO ENSURE THAT THE INFORMATION IN THIS DETAIL DRAWING IS ACCURATE. DÖRKEN SYSTEMS INC. CANNOT ACCEPT RESPONSIBILITY FOR ANY ERRORS OR OVERSIGHTS IN THE USE OF THIS MATERIAL OR IN THE PREPARATION OF ARCHITECTURAL OR ENGINEERING PLANS. THE DESIGN PROFESSIONAL MUST RECOGNIZE THAT NO DESIGN DETAIL CAN SUBSTITUTE FOR EXPERIENCED ENGINEERING AND PROFESSIONAL JUDGEMENT.

TITLE:

**TYPICAL TRANSITION DETAIL  
 OPTION 1.**

DRAWN BY: Krzysztof Apriasz C. Tech., CPHC®

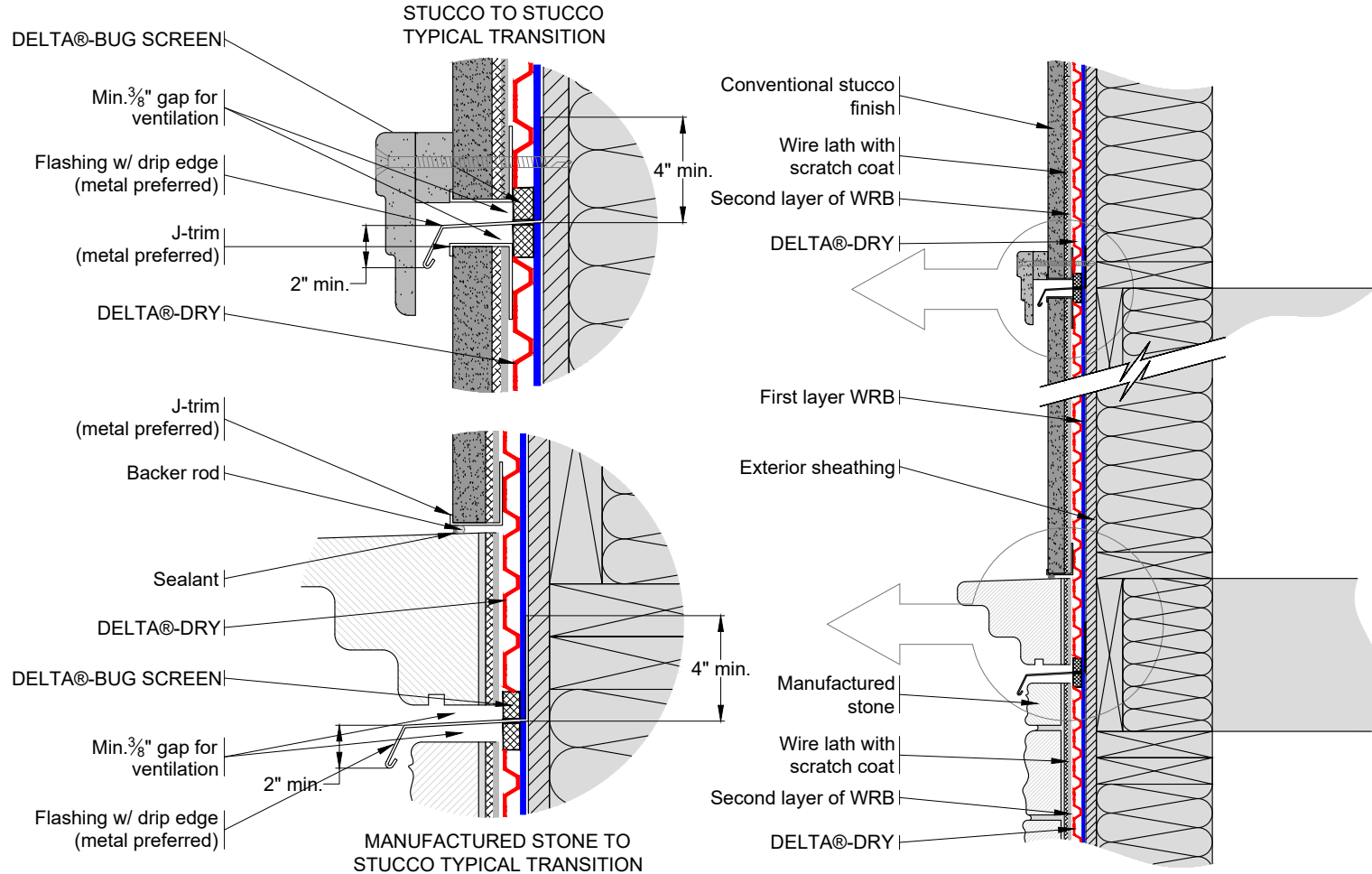
DATE: March 25, 2009  
 SCALE: NTS

FILE NAME:  
 DRY\_TRANSITION1



4655 DELTA WAY BEAMSVILLE, ON. L0R 1B4 CANADA  
 1-888-433-5824 or 1-905-563-3255

**NOTE:**  
**WRB (WATER-RESISTIVE BARRIER) TO BE**  
**INSTALLED AS PER MANUFACTURER'S**  
**SPECIFICATIONS**



**\*\*For proper performance of DELTA@-DRY ensure top and bottom remain open to allow ventilation and drainage\*\***

SUBSTANTIAL EFFORT HAS BEEN MADE TO ENSURE THAT THE INFORMATION IN THIS DETAIL DRAWING IS ACCURATE. DÖRKEN SYSTEMS INC. CANNOT ACCEPT RESPONSIBILITY FOR ANY ERRORS OR OVERSIGHTS IN THE USE OF THIS MATERIAL OR IN THE PREPARATION OF ARCHITECTURAL OR ENGINEERING PLANS. THE DESIGN PROFESSIONAL MUST RECOGNIZE THAT NO DESIGN DETAIL CAN SUBSTITUTE FOR EXPERIENCED ENGINEERING AND PROFESSIONAL JUDGEMENT.

TITLE:

**TYPICAL WALL TRANSITION DETAIL  
 OPTION 2.**

DRAWN BY: Krzysztof Apriasz C. Tech., CPHC®

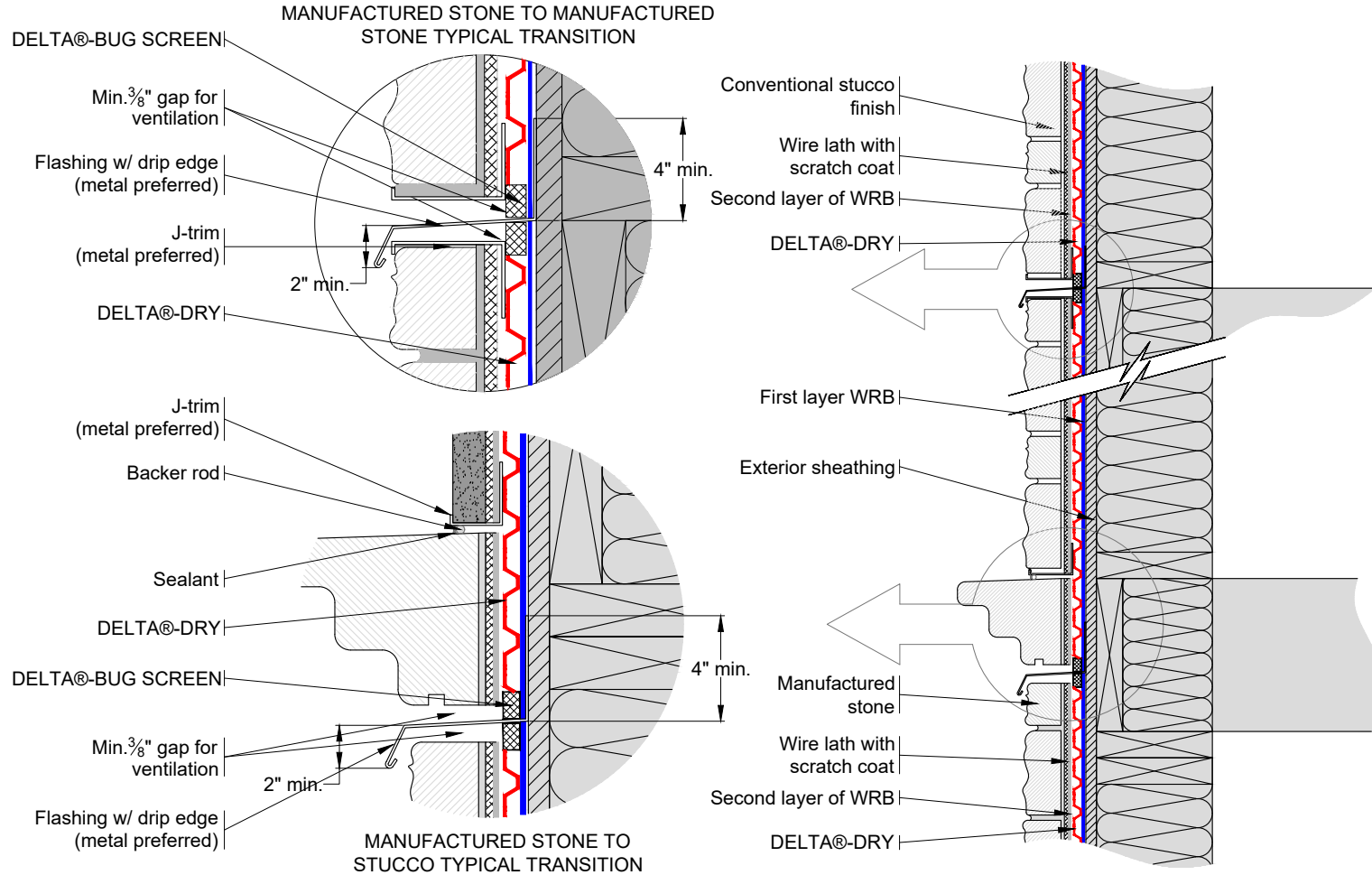
DATE: March 25, 2009  
 SCALE: NTS

FILE NAME:  
 DRY\_TRANSITION2



4655 DELTA WAY BEAMSVILLE, ON. L0R 1B4 CANADA  
 1-888-433-5824 or 1-905-563-3255

**NOTE:**  
**WRB (WATER-RESISTIVE BARRIER) TO BE**  
**INSTALLED AS PER MANUFACTURER'S**  
**SPECIFICATIONS**



**\*\*For proper performance of DELTA®-DRY ensure top and bottom remain open to allow ventilation and drainage\*\***

SUBSTANTIAL EFFORT HAS BEEN MADE TO ENSURE THAT THE INFORMATION IN THIS DETAIL DRAWING IS ACCURATE. DÖRKEN SYSTEMS INC. CANNOT ACCEPT RESPONSIBILITY FOR ANY ERRORS OR OVERSIGHTS IN THE USE OF THIS MATERIAL OR IN THE PREPARATION OF ARCHITECTURAL OR ENGINEERING PLANS. THE DESIGN PROFESSIONAL MUST RECOGNIZE THAT NO DESIGN DETAIL CAN SUBSTITUTE FOR EXPERIENCED ENGINEERING AND PROFESSIONAL JUDGEMENT.

TITLE:

**TYPICAL WALL TRANSITION DETAIL  
 OPTION 3.**

DRAWN BY: Krzysztof Apriasz C. Tech., CPHC®

DATE: March 31, 2017  
 SCALE: NTS

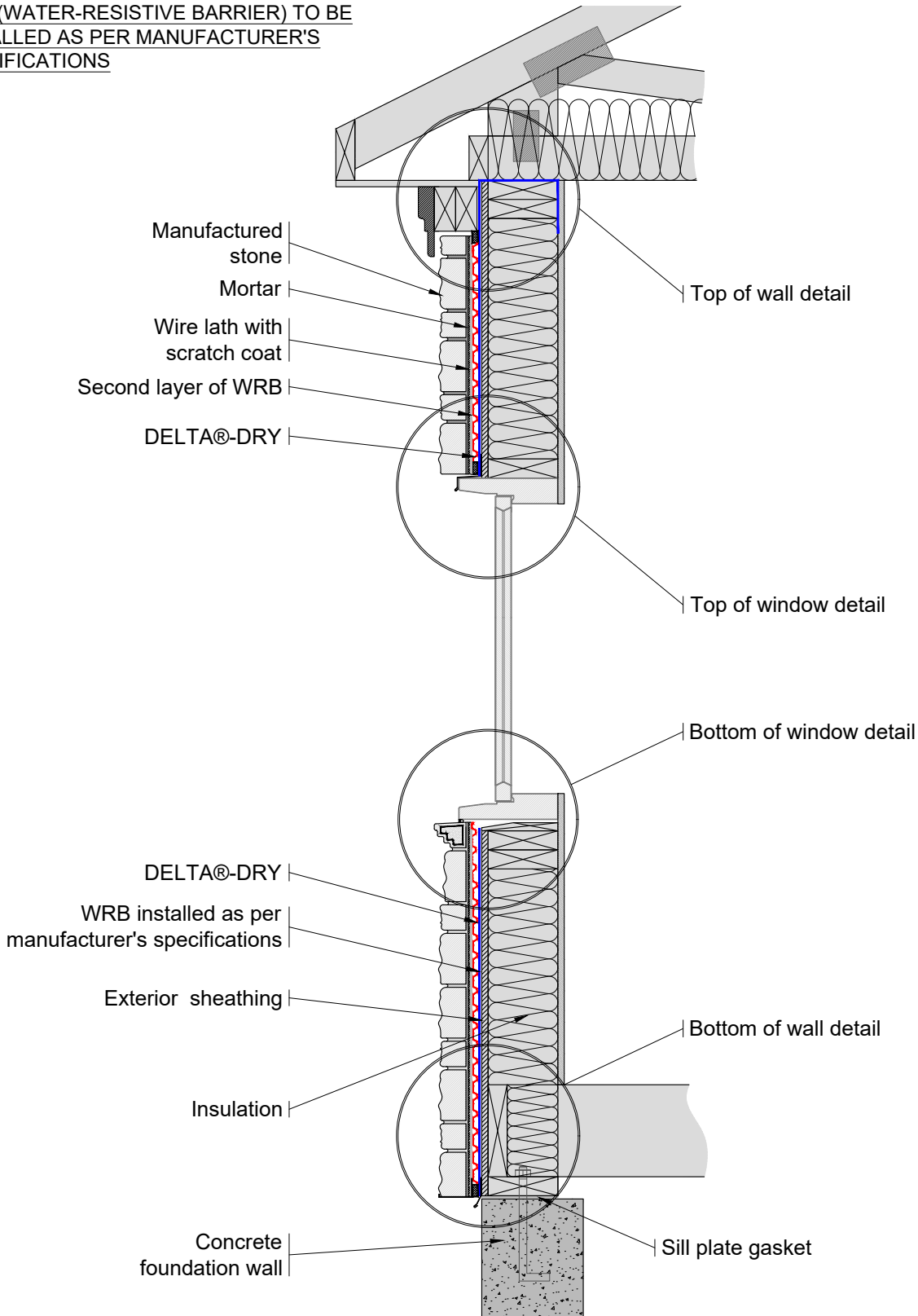
FILE NAME:  
 DRY\_TRANSITION2



4655 DELTA WAY BEAMSVILLE, ON. L0R 1B4 CANADA  
 1-888-433-5824 or 1-905-563-3255

**NOTE:**

WRB (WATER-RESISTIVE BARRIER) TO BE  
INSTALLED AS PER MANUFACTURER'S  
SPECIFICATIONS



**\*\*For proper performance of DELTA@-DRY ensure top and bottom remain open to allow ventilation and drainage\*\***

SUBSTANTIAL EFFORT HAS BEEN MADE TO ENSURE THAT THE INFORMATION IN THIS DETAIL DRAWING IS ACCURATE. DÖRKEN SYSTEMS INC. CANNOT ACCEPT RESPONSIBILITY FOR ANY ERRORS OR OVERSIGHTS IN THE USE OF THIS MATERIAL OR IN THE PREPARATION OF ARCHITECTURAL OR ENGINEERING PLANS. THE DESIGN PROFESSIONAL MUST RECOGNIZE THAT NO DESIGN DETAIL CAN SUBSTITUTE FOR EXPERIENCED ENGINEERING AND PROFESSIONAL JUDGEMENT.

TITLE:

**DELTA@-DRY RAINSCREEN  
APPLICATION WITH  
MANUFACTURED STONE**

DRAWN BY: Krzysztof Apiasz C. Tech., CPHC®

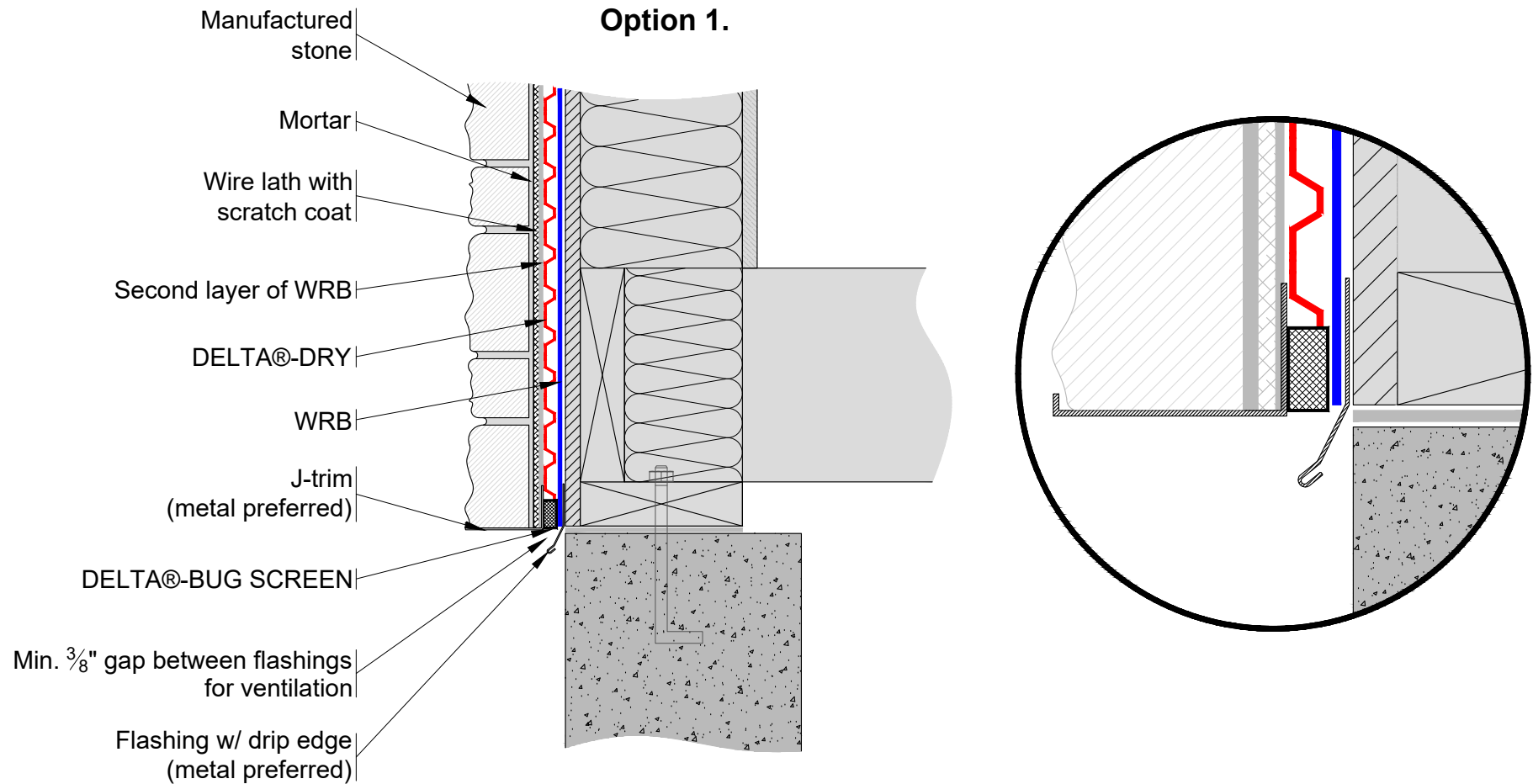
Date: January 19, 2009

File Name: DRY1



4655 DELTA WAY BEAMSVILLE, ON. L0R 1B4 CANADA  
1-888-433-5824 or 1-905-563-3255

NOTE:  
 WRB (WATER-RESISTIVE BARRIER) TO BE  
 INSTALLED AS PER MANUFACTURER'S  
 SPECIFICATIONS



**\*\*For proper performance of DELTA@-DRY ensure top and bottom remain open to allow ventilation and drainage\*\***

SUBSTANTIAL EFFORT HAS BEEN MADE TO ENSURE THAT THE INFORMATION IN THIS DETAIL DRAWING IS ACCURATE. DÖRKEN SYSTEMS INC. CANNOT ACCEPT RESPONSIBILITY FOR ANY ERRORS OR OVERSIGHTS IN THE USE OF THIS MATERIAL OR IN THE PREPARATION OF ARCHITECTURAL OR ENGINEERING PLANS. THE DESIGN PROFESSIONAL MUST RECOGNIZE THAT NO DESIGN DETAIL CAN SUBSTITUTE FOR EXPERIENCED ENGINEERING AND PROFESSIONAL JUDGEMENT.

TITLE:

**DELTA@-DRY RAINSCREEN APPLICATION WITH  
 MANUFACTURED STONE BOTTOM OF WALL DETAIL  
 OPTION 1**

DRAWN BY: Krzysztof Apiasz C. Tech., CPHC®

DATE: January 19, 2009  
 SCALE: NTS

FILE NAME:  
 DRY1B1

**DÖRKEN**

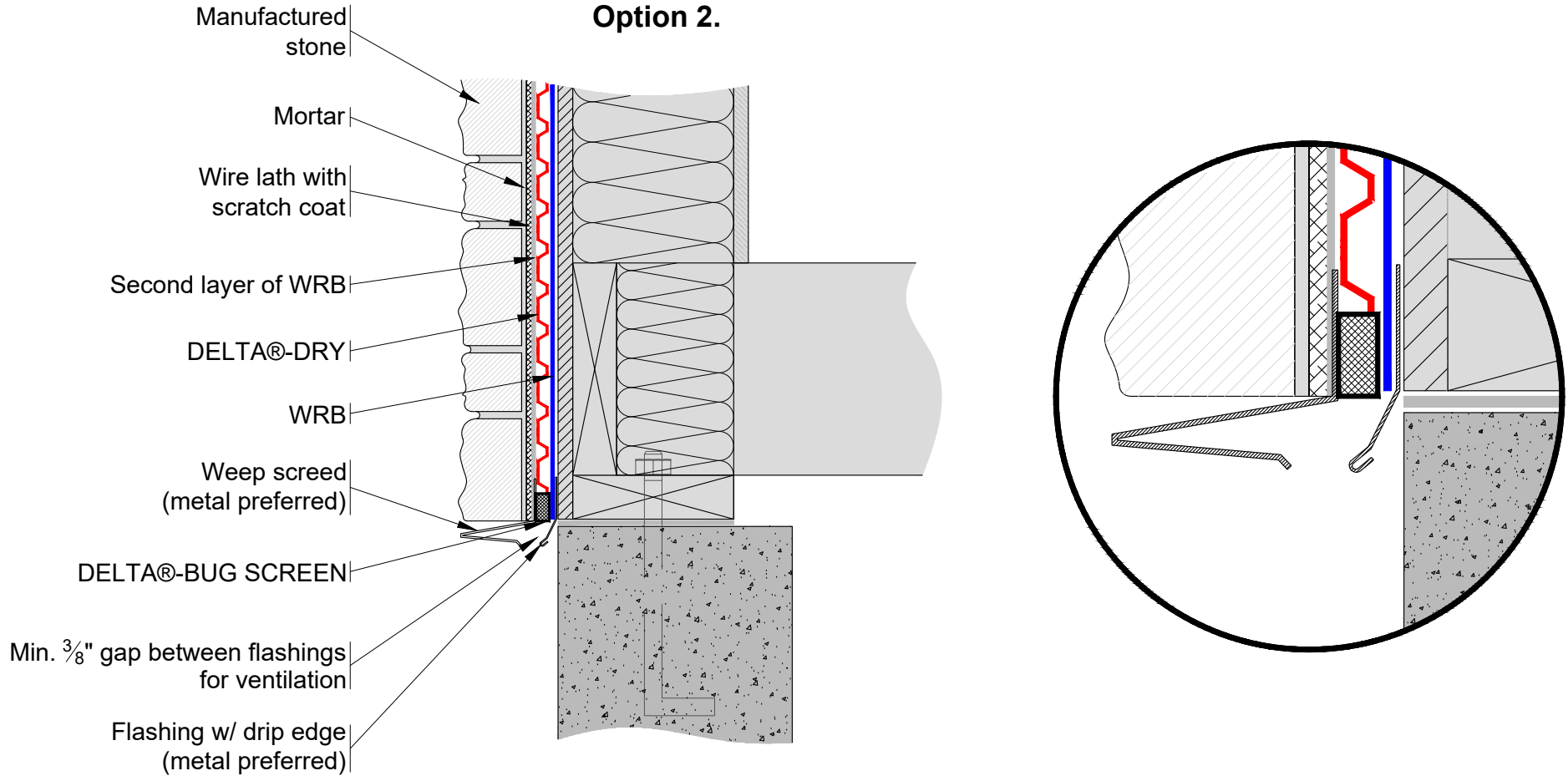
**DELTA®**

4655 DELTA WAY BEAMSVILLE, ON. L0R 1B4 CANADA  
 1-888-433-5824 or 1-905-563-3255

**NOTE:**

WRB (WATER-RESISTIVE BARRIER) TO BE  
INSTALLED AS PER MANUFACTURER'S  
SPECIFICATIONS

**Option 2.**



**\*\*For proper performance of DELTA®-DRY ensure top and bottom remain open to allow ventilation and drainage\*\***

SUBSTANTIAL EFFORT HAS BEEN MADE TO ENSURE THAT THE INFORMATION IN THIS DETAIL DRAWING IS ACCURATE. DÖRKEN SYSTEMS INC. CANNOT ACCEPT RESPONSIBILITY FOR ANY ERRORS OR OVERSIGHTS IN THE USE OF THIS MATERIAL OR IN THE PREPARATION OF ARCHITECTURAL OR ENGINEERING PLANS. THE DESIGN PROFESSIONAL MUST RECOGNIZE THAT NO DESIGN DETAIL CAN SUBSTITUTE FOR EXPERIENCED ENGINEERING AND PROFESSIONAL JUDGEMENT.

TITLE:

**DELTA®-DRY RAINSCREEN APPLICATION WITH  
MANUFACTURED STONE BOTTOM OF WALL DETAIL  
OPTION 2**

DRAWN BY: Krzysztof Apriasz C. Tech., CPHC®

DATE: January 19, 2009  
SCALE: NTS

FILE NAME:  
DRY1B2

**DÖRKEN**

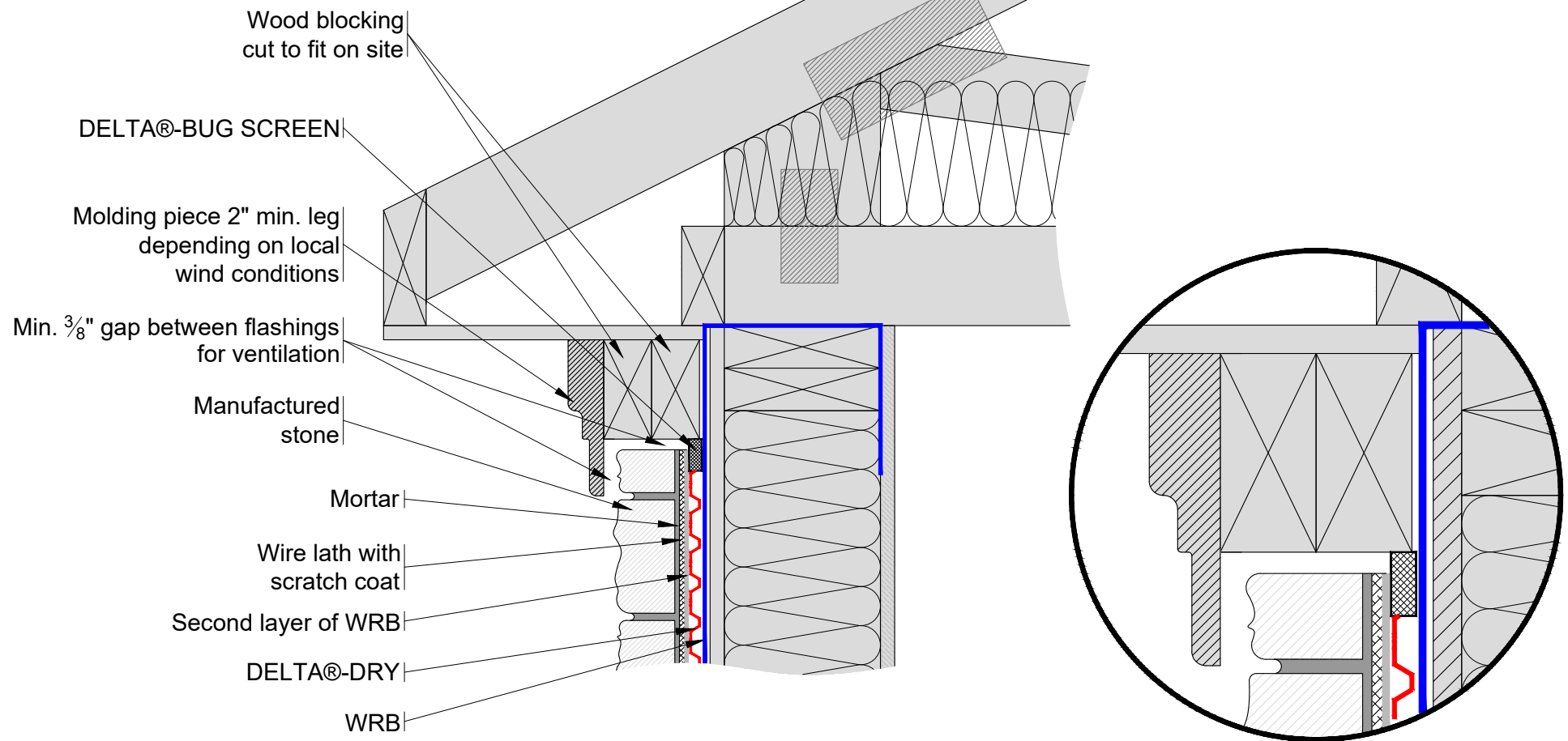
**DELTA®**

4655 DELTA WAY BEAMSVILLE, ON. L0R 1B4 CANADA  
1-888-433-5824 or 1-905-563-3255



NOTE:  
 WRB (WATER-RESISTIVE BARRIER) TO BE  
 INSTALLED AS PER MANUFACTURER'S  
 SPECIFICATIONS

Option 1.



\*\*For proper performance of DELTA@-DRY ensure top and bottom remain open to allow ventilation and drainage\*\*

SUBSTANTIAL EFFORT HAS BEEN MADE TO ENSURE THAT THE INFORMATION IN THIS DETAIL DRAWING IS ACCURATE. DÖRKEN SYSTEMS INC. CANNOT ACCEPT RESPONSIBILITY FOR ANY ERRORS OR OVERSIGHTS IN THE USE OF THIS MATERIAL OR IN THE PREPARATION OF ARCHITECTURAL OR ENGINEERING PLANS. THE DESIGN PROFESSIONAL MUST RECOGNIZE THAT NO DESIGN DETAIL CAN SUBSTITUTE FOR EXPERIENCED ENGINEERING AND PROFESSIONAL JUDGEMENT.

TITLE:  
 DELTA@-DRY RAINSCREEN APPLICATION WITH  
 MANUFACTURED STONE TOP OF WALL DETAIL  
 OPTION 1

DRAWN BY: Krzysztof Apriasz C. Tech., CPHC®

DATE: January 19, 2009  
 SCALE: NTS

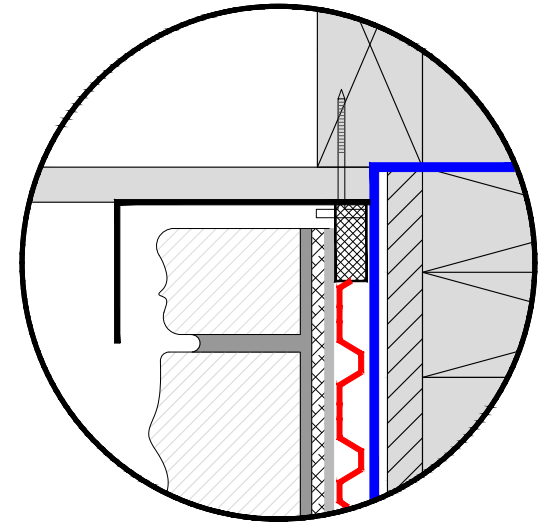
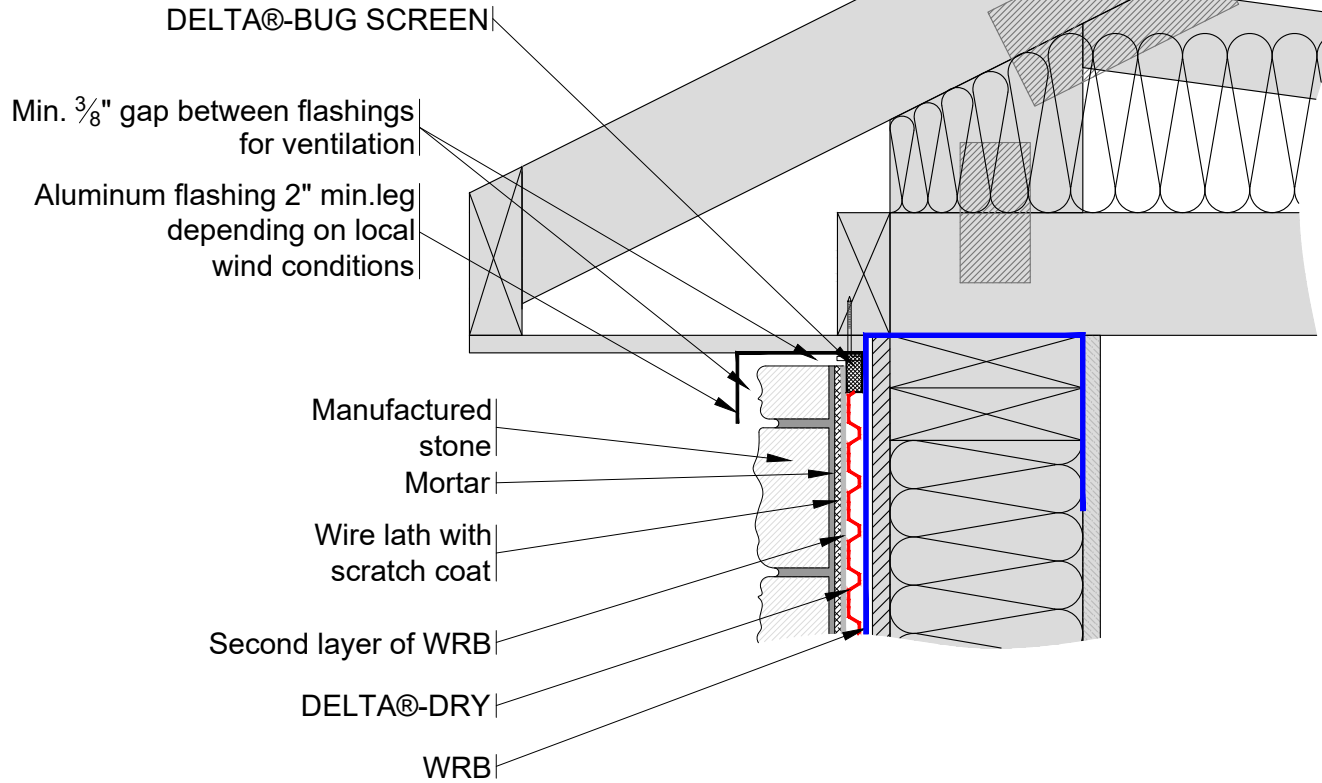
FILE NAME:  
 DRY1T1



4655 DELTA WAY BEAMSVILLE, ON. L0R 1B4 CANADA  
 1-888-433-5824 or 1-905-563-3255

NOTE:  
 WRB (WATER-RESISTIVE BARRIER) TO BE  
 INSTALLED AS PER MANUFACTURER'S  
 SPECIFICATIONS

### Option 2. "L" flashing



**\*\*For proper performance of DELTA@-DRY ensure top and bottom remain open to allow ventilation and drainage\*\***

SUBSTANTIAL EFFORT HAS BEEN MADE TO ENSURE THAT THE INFORMATION IN THIS DETAIL DRAWING IS ACCURATE. DÖRKEN SYSTEMS INC. CANNOT ACCEPT RESPONSIBILITY FOR ANY ERRORS OR OVERSIGHTS IN THE USE OF THIS MATERIAL OR IN THE PREPARATION OF ARCHITECTURAL OR ENGINEERING PLANS. THE DESIGN PROFESSIONAL MUST RECOGNIZE THAT NO DESIGN DETAIL CAN SUBSTITUTE FOR EXPERIENCED ENGINEERING AND PROFESSIONAL JUDGEMENT.

TITLE:

DELTA@-DRY RAINSCREEN APPLICATION WITH  
 MANUFACTURED STONE TOP OF WALL DETAIL  
 OPTION 2

DRAWN BY: Krzysztof Apriasz C. Tech., CPHC®

DATE: January 19, 2009  
 SCALE: NTS

FILE NAME:  
 DRY1T2

**DÖRKEN**

**DELTA®**

4655 DELTA WAY BEAMSVILLE, ON. L0R 1B4 CANADA  
 1-888-433-5824 or 1-905-563-3255

TOP OF WINDOW DETAIL

BOTTOM OF WINDOW DETAIL

Manufactured  
stone mortar

Around window and door openings install WRB as per manufacturer's specifications

Backer rod

Sealant

Manufactured stone

Mortar

Wire lath with scratch coat

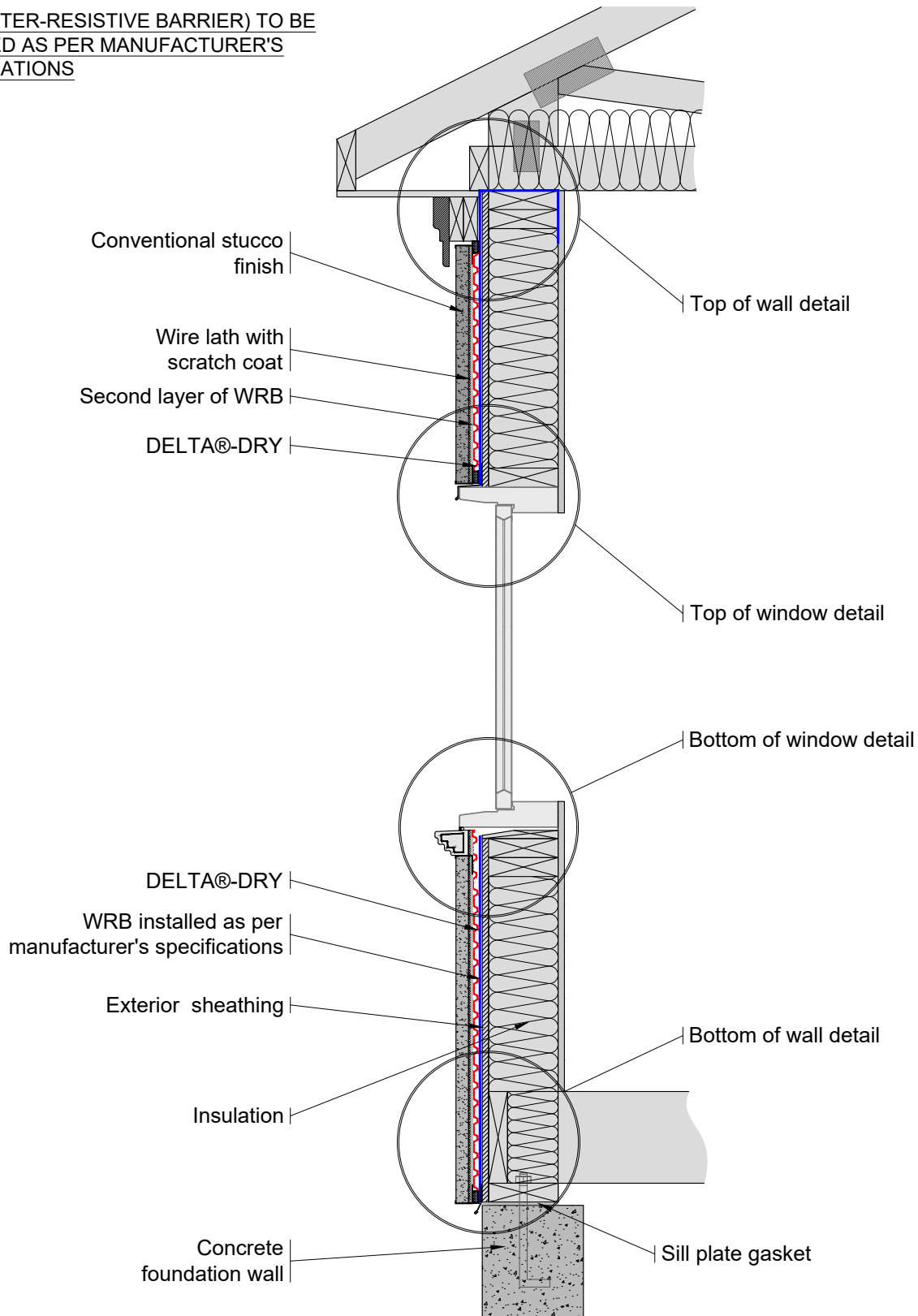
Second layer of WRB

DELTA®-DRY

WRB



NOTE:  
 WRB (WATER-RESISTIVE BARRIER) TO BE  
 INSTALLED AS PER MANUFACTURER'S  
 SPECIFICATIONS



**\*\*For proper performance of DELTA@-DRY ensure top and bottom remain open to allow ventilation and drainage\*\***

SUBSTANTIAL EFFORT HAS BEEN MADE TO ENSURE THAT THE INFORMATION IN THIS DETAIL DRAWING IS ACCURATE. DÖRKEN SYSTEMS INC. CANNOT ACCEPT RESPONSIBILITY FOR ANY ERRORS OR OVERSIGHTS IN THE USE OF THIS MATERIAL OR IN THE PREPARATION OF ARCHITECTURAL OR ENGINEERING PLANS. THE DESIGN PROFESSIONAL MUST RECOGNIZE THAT NO DESIGN DETAIL CAN SUBSTITUTE FOR EXPERIENCED ENGINEERING AND PROFESSIONAL JUDGEMENT.

TITLE:

DELTA@-DRY RAINSCREEN  
 APPLICATION WITH  
 CONVENTIONAL STUCCO FINISH

DRAWN BY: Krzysztof Apriasz C. Tech., CPHC®

Date: January 19, 2009

File Name: DRY2

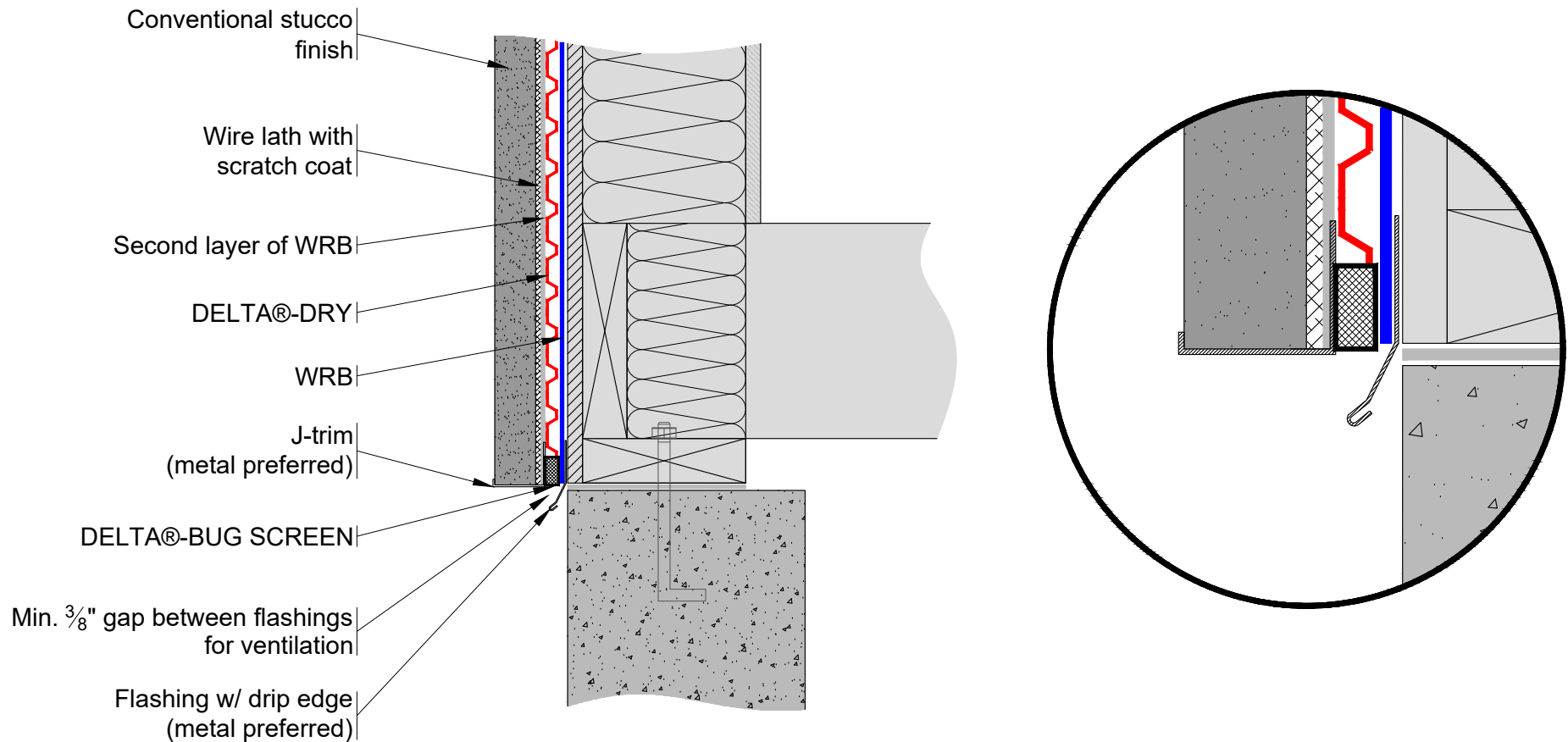
**DÖRKEN**

**DELTA**

4655 DELTA WAY BEAMSVILLE, ON. L0R 1B4 CANADA  
 1-888-433-5824 or 1-905-563-3255

NOTE:  
 WRB (WATER-RESISTIVE BARRIER) TO BE  
 INSTALLED AS PER MANUFACTURER'S  
 SPECIFICATIONS

**Option 1.**



**\*\*For proper performance of DELTA®-DRY ensure top and bottom remain open to allow ventilation and drainage\*\***

SUBSTANTIAL EFFORT HAS BEEN MADE TO ENSURE THAT THE INFORMATION IN THIS DETAIL DRAWING IS ACCURATE. DÖRKEN SYSTEMS INC. CANNOT ACCEPT RESPONSIBILITY FOR ANY ERRORS OR OVERSIGHTS IN THE USE OF THIS MATERIAL OR IN THE PREPARATION OF ARCHITECTURAL OR ENGINEERING PLANS. THE DESIGN PROFESSIONAL MUST RECOGNIZE THAT NO DESIGN DETAIL CAN SUBSTITUTE FOR EXPERIENCED ENGINEERING AND PROFESSIONAL JUDGEMENT.

TITLE:

**DELTA®-DRY RAINSCREEN APPLICATION WITH CONVENTIONAL STUCCO FINISH BOTTOM OF WALL DETAIL OPTION 1**

DRAWN BY: Krzysztof Apriasz C. Tech., CPHC®

DATE: January 19, 2009  
 SCALE: NTS

FILE NAME:  
 DRY2B1

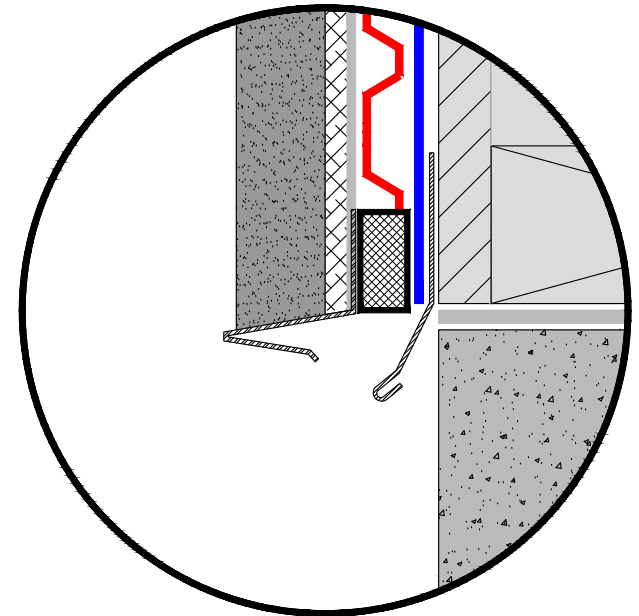
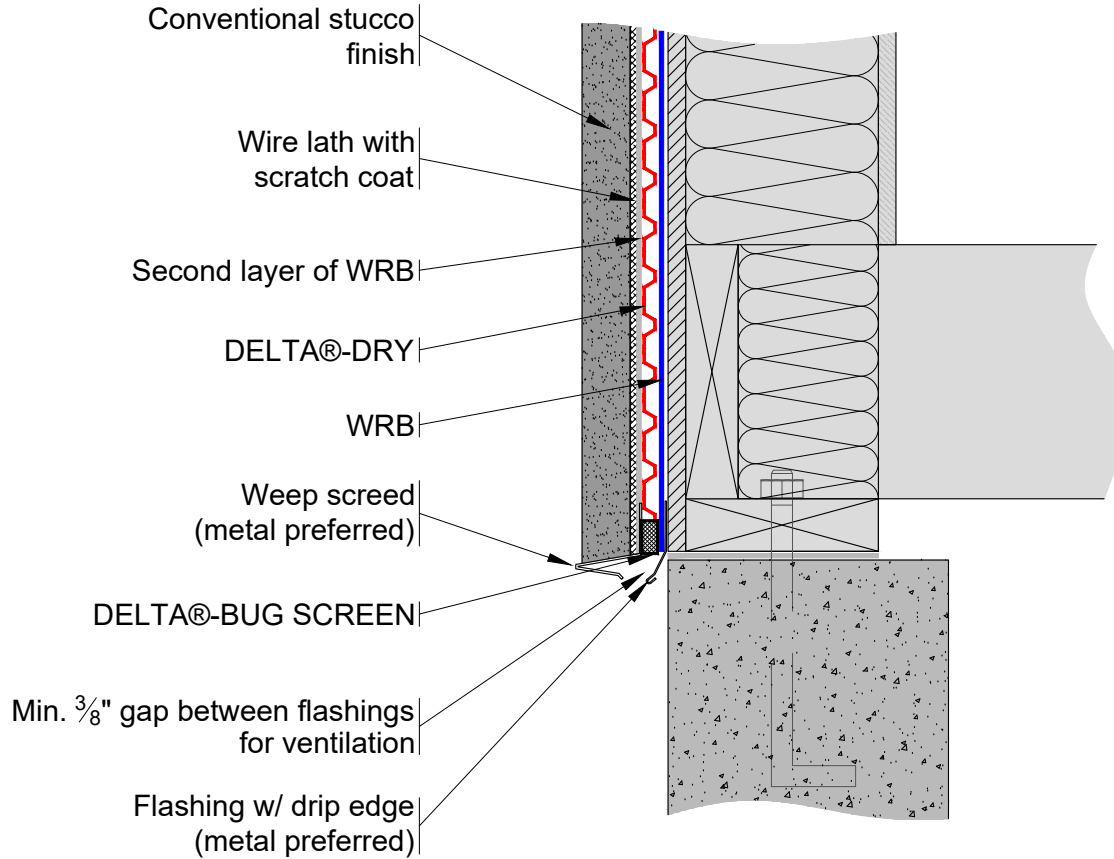
**DÖRKEN**

**DELTA®**

4655 DELTA WAY BEAMSVILLE, ON. L0R 1B4 CANADA  
 1-888-433-5824 or 1-905-563-3255

NOTE:  
 WRB (WATER-RESISTIVE BARRIER) TO BE  
 INSTALLED AS PER MANUFACTURER'S  
 SPECIFICATIONS

**Option 2.**



**\*\*For proper performance of DELTA®-DRY ensure top and bottom remain open to allow ventilation and drainage\*\***

SUBSTANTIAL EFFORT HAS BEEN MADE TO ENSURE THAT THE INFORMATION IN THIS DETAIL DRAWING IS ACCURATE. DÖRKEN SYSTEMS INC. CANNOT ACCEPT RESPONSIBILITY FOR ANY ERRORS OR OVERSIGHTS IN THE USE OF THIS MATERIAL OR IN THE PREPARATION OF ARCHITECTURAL OR ENGINEERING PLANS. THE DESIGN PROFESSIONAL MUST RECOGNIZE THAT NO DESIGN DETAIL CAN SUBSTITUTE FOR EXPERIENCED ENGINEERING AND PROFESSIONAL JUDGEMENT.

TITLE:

**DELTA®-DRY RAINSCREEN APPLICATION WITH  
 CONVENTIONAL STUCCO FINISH BOTTOM OF WALL  
 DETAIL OPTION 2**

DRAWN BY: Krzysztof Apriasz C. Tech., CPHC®

DATE: January 19, 2009  
 SCALE: NTS

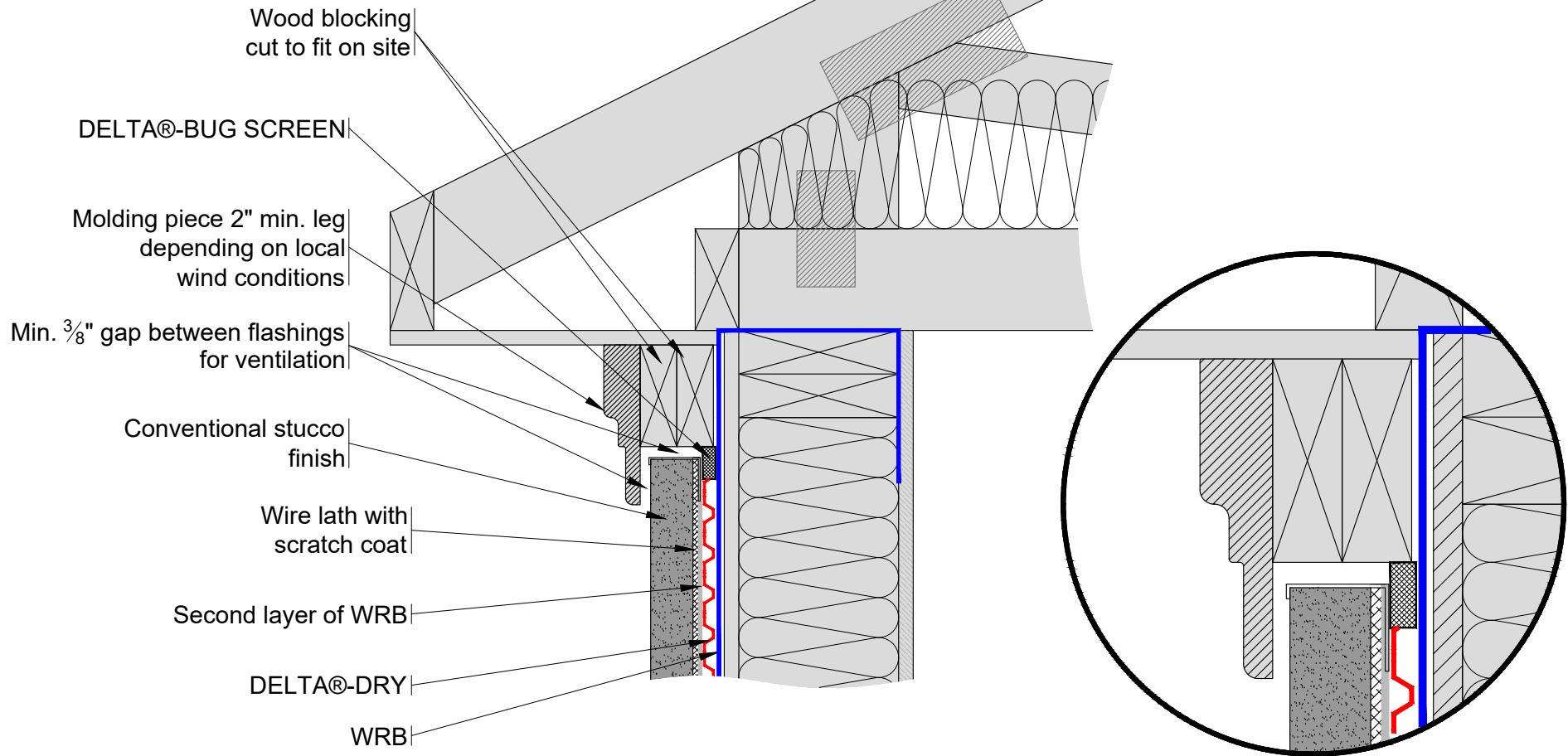
FILE NAME:  
 DRY2B2



4655 DELTA WAY BEAMSVILLE, ON. L0R 1B4 CANADA  
 1-888-433-5824 or 1-905-563-3255

NOTE:  
WRB (WATER-RESISTIVE BARRIER) TO BE  
 INSTALLED AS PER MANUFACTURER'S  
 SPECIFICATIONS

**Option 1.**



**\*\*For proper performance of DELTA@-DRY ensure top and bottom remain open to allow ventilation and drainage\*\***

SUBSTANTIAL EFFORT HAS BEEN MADE TO ENSURE THAT THE INFORMATION IN THIS DETAIL DRAWING IS ACCURATE. DÖRKEN SYSTEMS INC. CANNOT ACCEPT RESPONSIBILITY FOR ANY ERRORS OR OVERSIGHTS IN THE USE OF THIS MATERIAL OR IN THE PREPARATION OF ARCHITECTURAL OR ENGINEERING PLANS. THE DESIGN PROFESSIONAL MUST RECOGNIZE THAT NO DESIGN DETAIL CAN SUBSTITUTE FOR EXPERIENCED ENGINEERING AND PROFESSIONAL JUDGEMENT.

TITLE:

**DELTA@-DRY RAINSCREEN APPLICATION WITH  
 CONVENTIONAL STUCCO FINISH TOP OF WALL  
 DETAIL OPTION 1**

DRAWN BY: Krzysztof Apiasz C. Tech., CPHC®

DATE: January 19, 2009  
 SCALE: NTS

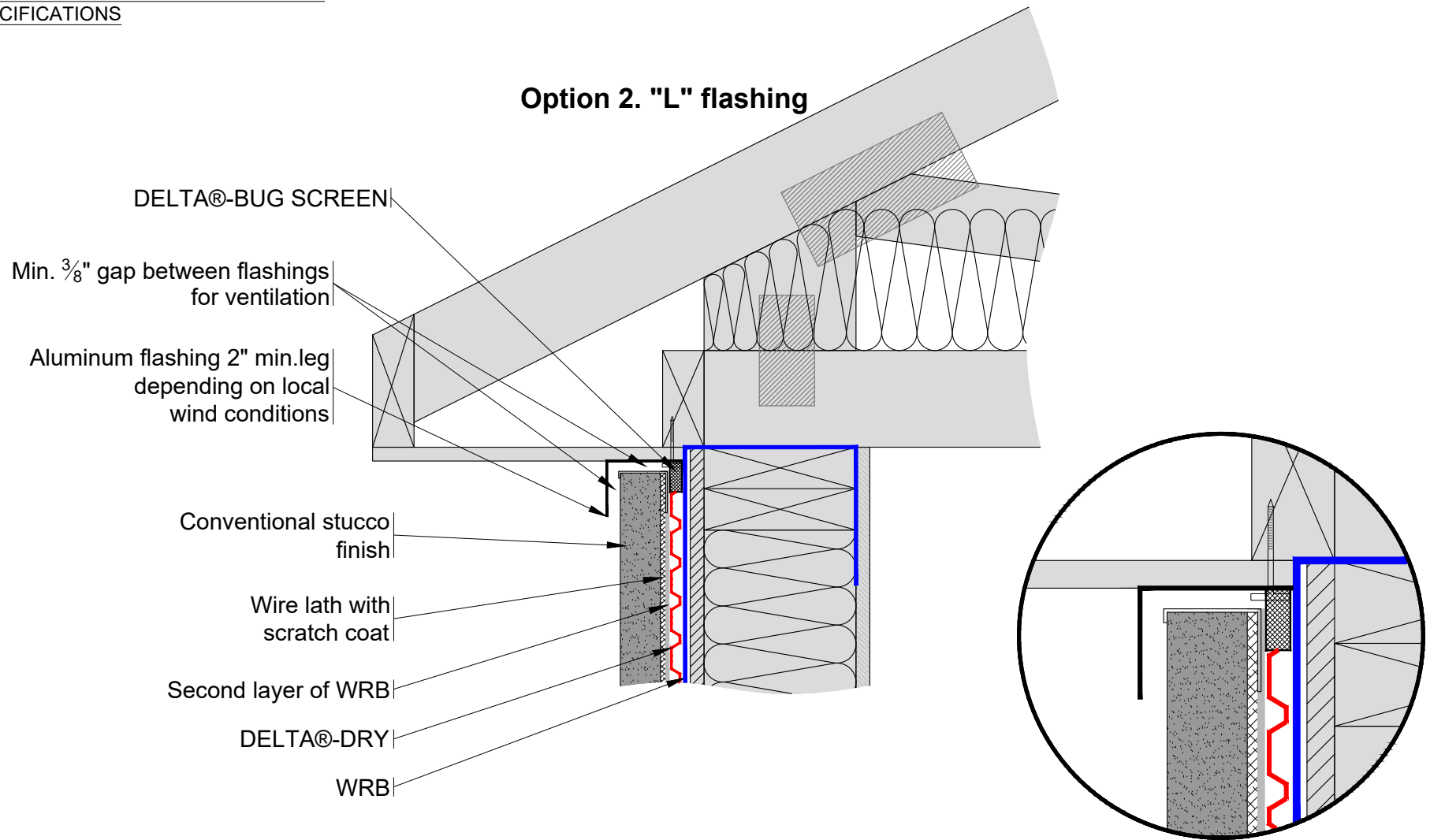
FILE NAME:  
 DRY2T1



4655 DELTA WAY BEAMSVILLE, ON. L0R 1B4 CANADA  
 1-888-433-5824 or 1-905-563-3255

NOTE:  
 WRB (WATER-RESISTIVE BARRIER) TO BE  
 INSTALLED AS PER MANUFACTURER'S  
 SPECIFICATIONS

### Option 2. "L" flashing



\*\*For proper performance of DELTA®-DRY ensure top and bottom remain open to allow ventilation and drainage\*\*

SUBSTANTIAL EFFORT HAS BEEN MADE TO ENSURE THAT THE INFORMATION IN THIS DETAIL DRAWING IS ACCURATE. DÖRKEN SYSTEMS INC. CANNOT ACCEPT RESPONSIBILITY FOR ANY ERRORS OR OVERSIGHTS IN THE USE OF THIS MATERIAL OR IN THE PREPARATION OF ARCHITECTURAL OR ENGINEERING PLANS. THE DESIGN PROFESSIONAL MUST RECOGNIZE THAT NO DESIGN DETAIL CAN SUBSTITUTE FOR EXPERIENCED ENGINEERING AND PROFESSIONAL JUDGEMENT.

TITLE:

DELTA®-DRY RAINSCREEN APPLICATION WITH  
 CONVENTIONAL STUCCO FINISH TOP OF WALL  
 DETAIL OPTION 2

DRAWN BY: Krzysztof Apriasz C. Tech., CPHC®

DATE: January 19, 2009  
 SCALE: NTS

FILE NAME:  
 DRY2T2

**DÖRKEN**

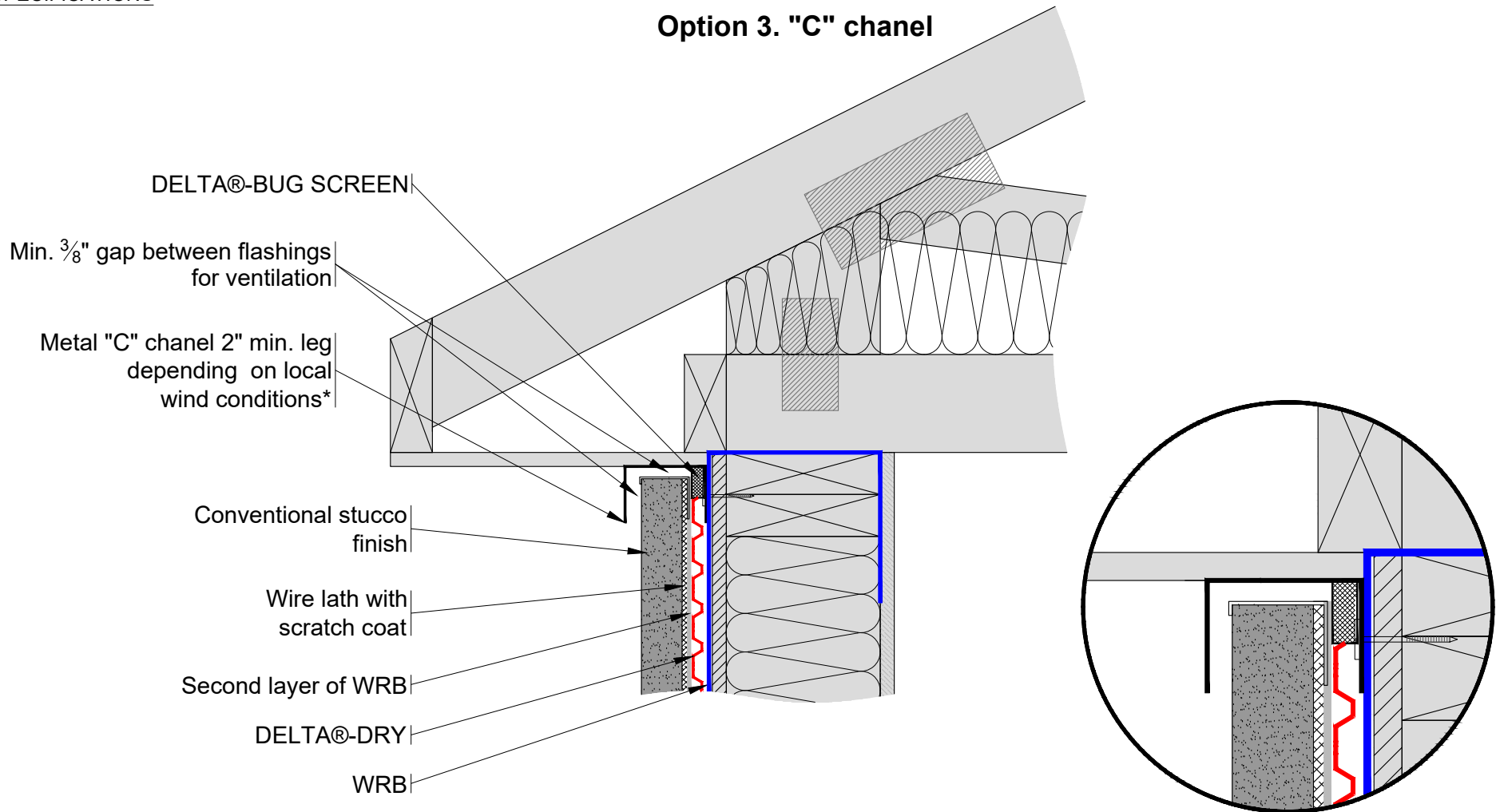


4655 DELTA WAY BEAMSVILLE, ON. L0R 1B4 CANADA  
 1-888-433-5824 or 1-905-563-3255



NOTE:  
 WRB (WATER-RESISTIVE BARRIER) TO BE  
 INSTALLED AS PER MANUFACTURER'S  
 SPECIFICATIONS

### Option 3. "C" chanel



\*\*For proper performance of DELTA®-DRY ensure top and bottom remain open to allow ventilation and drainage\*\*

SUBSTANTIAL EFFORT HAS BEEN MADE TO ENSURE THAT THE INFORMATION IN THIS DETAIL DRAWING IS ACCURATE. DÖRKEN SYSTEMS INC. CANNOT ACCEPT RESPONSIBILITY FOR ANY ERRORS OR OVERSIGHTS IN THE USE OF THIS MATERIAL OR IN THE PREPARATION OF ARCHITECTURAL OR ENGINEERING PLANS. THE DESIGN PROFESSIONAL MUST RECOGNIZE THAT NO DESIGN DETAIL CAN SUBSTITUTE FOR EXPERIENCED ENGINEERING AND PROFESSIONAL JUDGEMENT.

TITLE:

DELTA®-DRY RAINSCREEN APPLICATION WITH  
 CONVENTIONAL STUCCO FINISH TOP OF WALL  
 DETAIL OPTION 3

DRAWN BY: Krzysztof Apriasz C. Tech., CPHC®

DATE: January 19, 2009  
 SCALE: NTS

FILE NAME:  
 DRY2T3

**DÖRKEN**

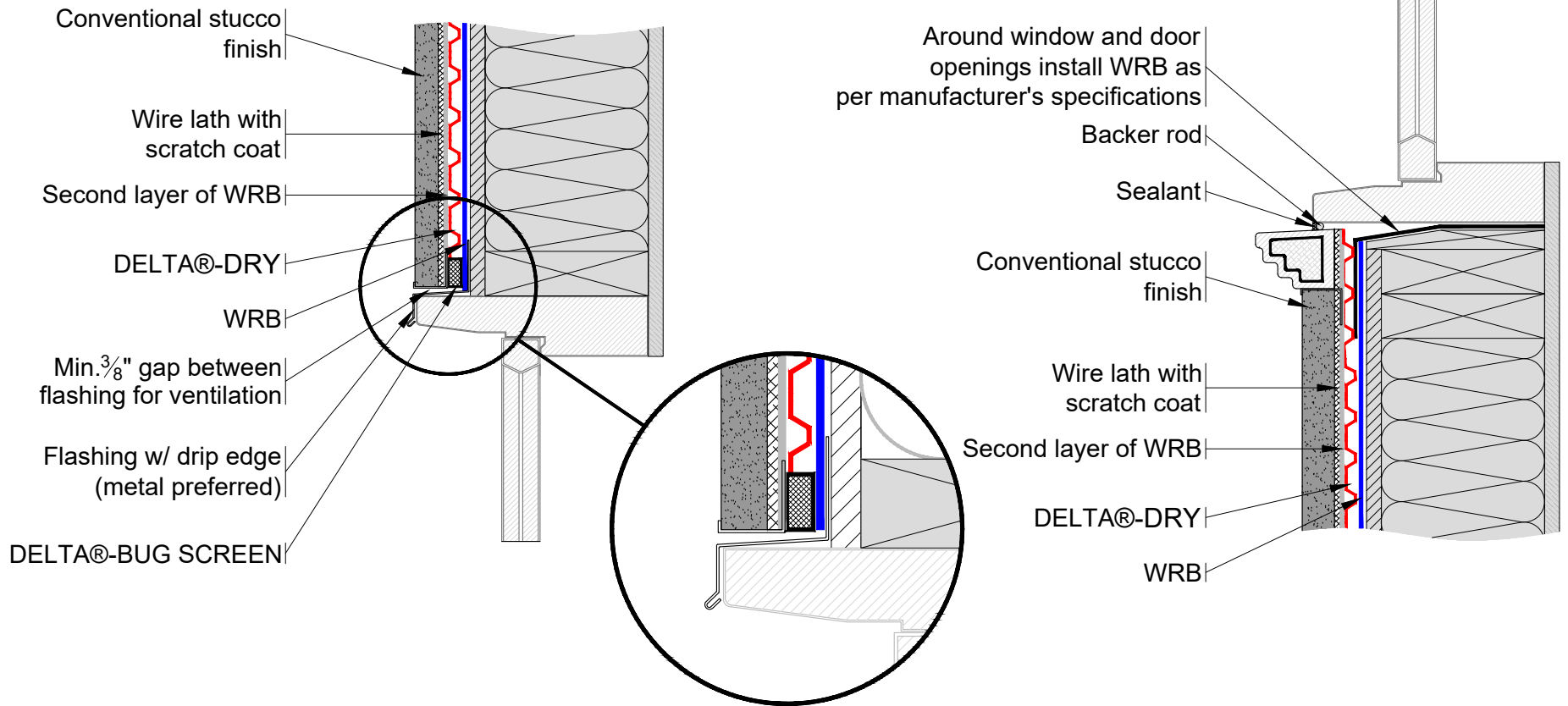


4655 DELTA WAY BEAMSVILLE, ON. L0R 1B4 CANADA  
 1-888-433-5824 or 1-905-563-3255

NOTE:  
 WRB (WATER-RESISTIVE BARRIER) TO BE  
 INSTALLED AS PER MANUFACTURER'S  
 SPECIFICATIONS

**TOP OF WINDOW DETAIL**

**BOTTOM OF WINDOW DETAIL**



**\*\*For proper performance of DELTA@-DRY ensure top and bottom remain open to allow ventilation and drainage\*\***

SUBSTANTIAL EFFORT HAS BEEN MADE TO ENSURE THAT THE INFORMATION IN THIS DETAIL DRAWING IS ACCURATE. DÖRKEN SYSTEMS INC. CANNOT ACCEPT RESPONSIBILITY FOR ANY ERRORS OR OVERSIGHTS IN THE USE OF THIS MATERIAL OR IN THE PREPARATION OF ARCHITECTURAL OR ENGINEERING PLANS. THE DESIGN PROFESSIONAL MUST RECOGNIZE THAT NO DESIGN DETAIL CAN SUBSTITUTE FOR EXPERIENCED ENGINEERING AND PROFESSIONAL JUDGEMENT.

TITLE:

**DELTA@-DRY RAINSCREEN APPLICATION WITH CONVENTIONAL STUCCO FINISH WINDOW DETAIL**

DRAWN BY: Krzysztof Apiasz C. Tech., CPHC®

DATE: January 19, 2009  
 SCALE: NTS

FILE NAME:  
 DRY2W1

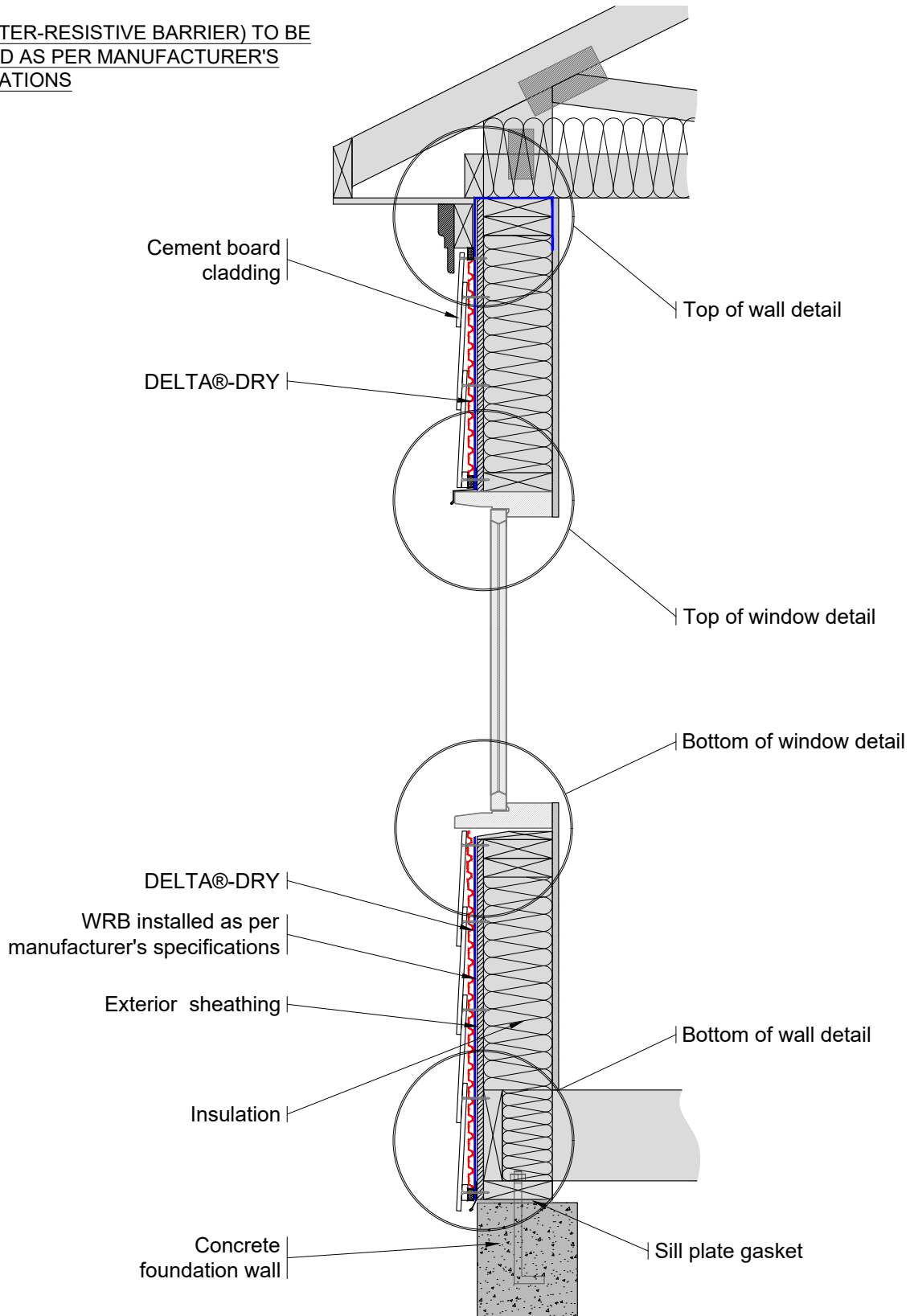
**DÖRKEN**



4655 DELTA WAY BEAMSVILLE, ON. L0R 1B4 CANADA  
 1-888-433-5824 or 1-905-563-3255

**NOTE:**

WRB (WATER-RESISTIVE BARRIER) TO BE  
INSTALLED AS PER MANUFACTURER'S  
SPECIFICATIONS



**\*\*For proper performance of DELTA@-DRY ensure top and bottom remain open to allow ventilation and drainage\*\***

SUBSTANTIAL EFFORT HAS BEEN MADE TO ENSURE THAT THE INFORMATION IN THIS DETAIL DRAWING IS ACCURATE. DÖRKEN SYSTEMS INC. CANNOT ACCEPT RESPONSIBILITY FOR ANY ERRORS OR OVERSIGHTS IN THE USE OF THIS MATERIAL OR IN THE PREPARATION OF ARCHITECTURAL OR ENGINEERING PLANS. THE DESIGN PROFESSIONAL MUST RECOGNIZE THAT NO DESIGN DETAIL CAN SUBSTITUTE FOR EXPERIENCED ENGINEERING AND PROFESSIONAL JUDGEMENT.

TITLE:

**DELTA@-DRY RAINSCREEN  
APPLICATION WITH CEMENT  
BOARD CLADDING**

DRAWN BY: Krzysztof Apiasz C. Tech., CPHC®

Date: January 19, 2009

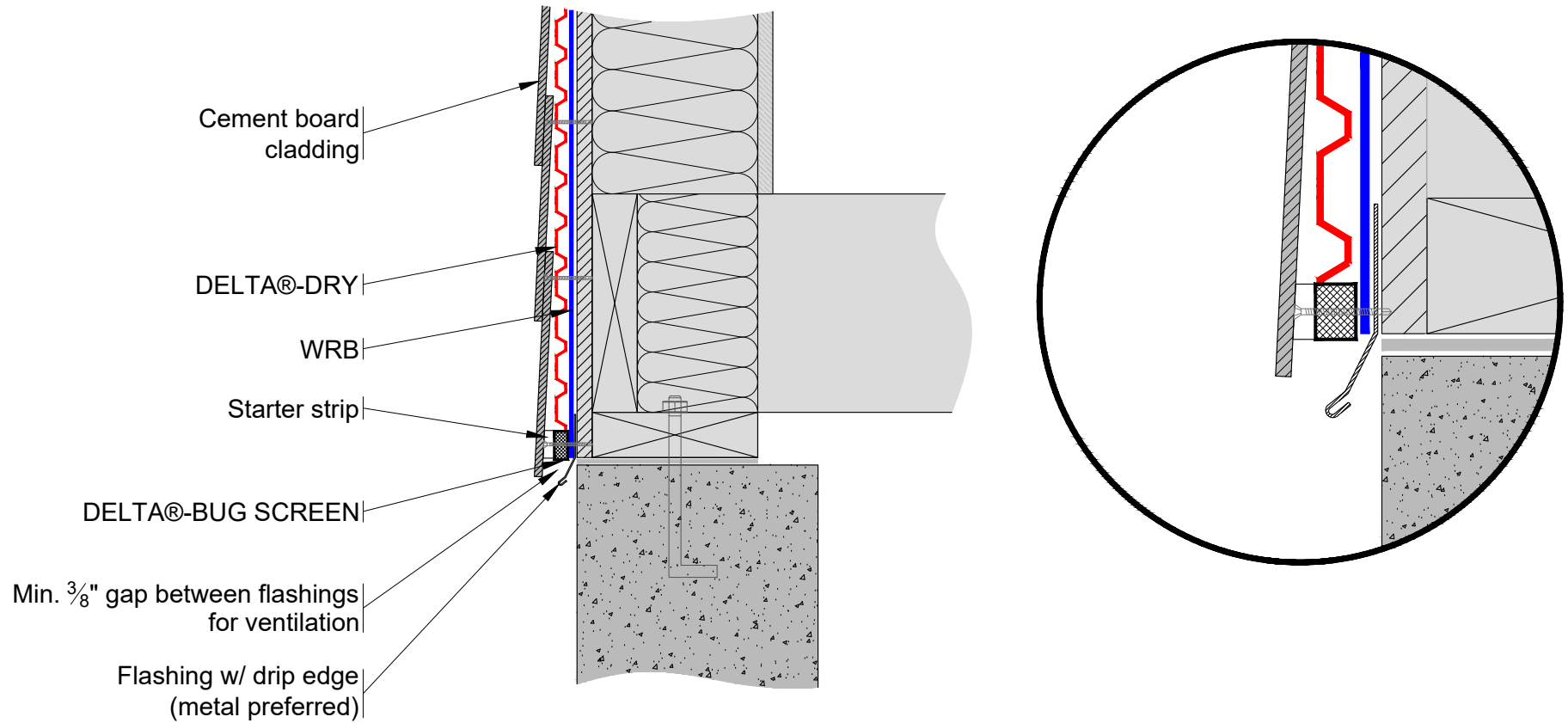
File Name: DRY3

**DÖRKEN**

**DELTA®**

4655 DELTA WAY BEAMSVILLE, ON. L0R 1B4 CANADA  
1-888-433-5824 or 1-905-563-3255

NOTE:  
WRB (WATER-RESISTIVE BARRIER) TO BE  
INSTALLED AS PER MANUFACTURER'S  
SPECIFICATIONS



**\*\*For proper performance of DELTA®-DRY ensure top and bottom remain open to allow ventilation and drainage\*\***

SUBSTANTIAL EFFORT HAS BEEN MADE TO ENSURE THAT THE INFORMATION IN THIS DETAIL DRAWING IS ACCURATE. DÖRKEN SYSTEMS INC. CANNOT ACCEPT RESPONSIBILITY FOR ANY ERRORS OR OVERSIGHTS IN THE USE OF THIS MATERIAL OR IN THE PREPARATION OF ARCHITECTURAL OR ENGINEERING PLANS. THE DESIGN PROFESSIONAL MUST RECOGNIZE THAT NO DESIGN DETAIL CAN SUBSTITUTE FOR EXPERIENCED ENGINEERING AND PROFESSIONAL JUDGEMENT.

TITLE:

**DELTA®-DRY RAINSCREEN APPLICATION WITH CEMENT BOARD CLADDING BOTTOM OF WALL DETAIL**

DRAWN BY: Krzysztof Apriasz C. Tech., CPHC®

DATE: January 19, 2009  
 SCALE: NTS

FILE NAME:  
 DRY3B1

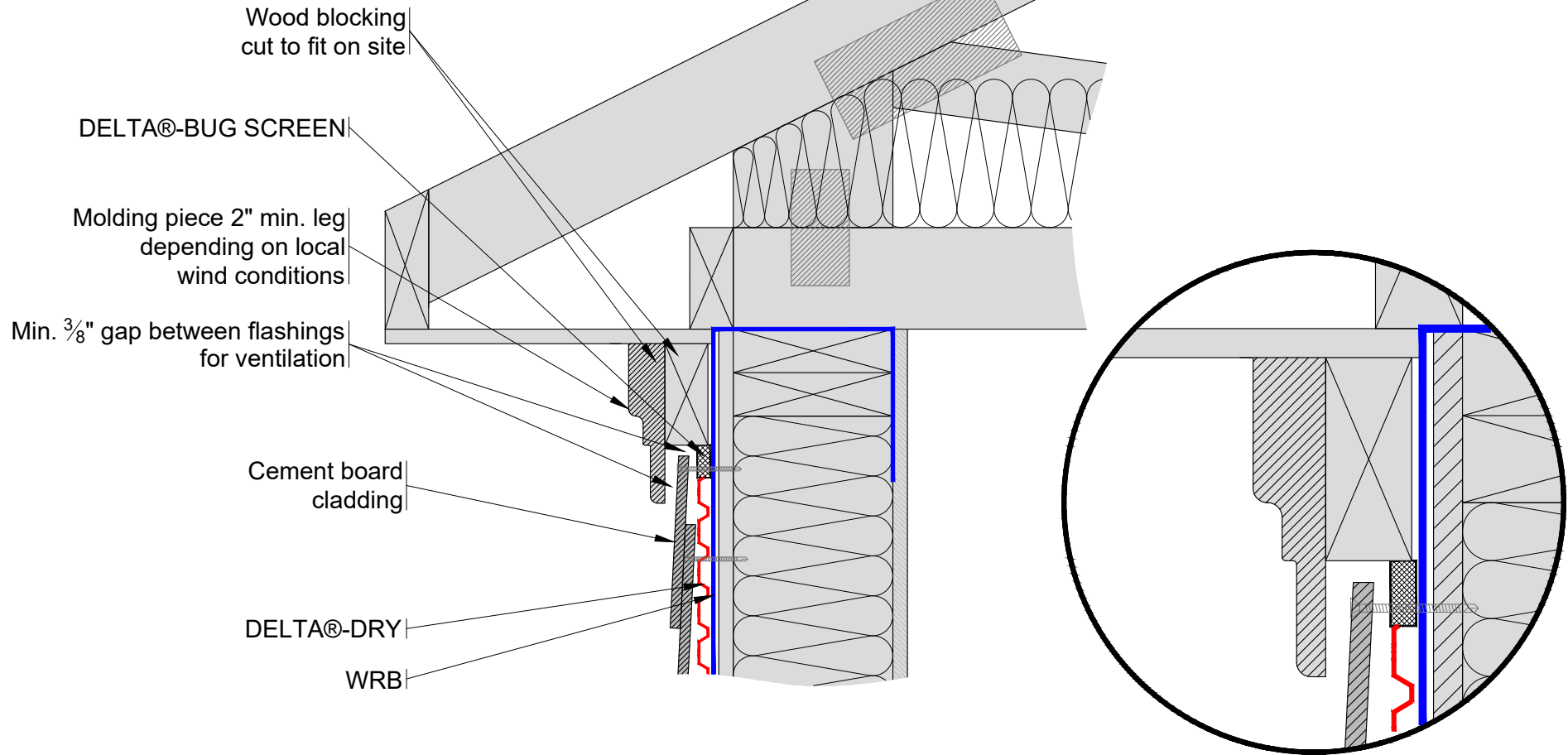
**DÖRKEN**



4655 DELTA WAY BEAMSVILLE, ON. L0R 1B4 CANADA  
 1-888-433-5824 or 1-905-563-3255

NOTE:  
 WRB (WATER-RESISTIVE BARRIER) TO BE  
 INSTALLED AS PER MANUFACTURER'S  
 SPECIFICATIONS

Option 1.



\*\*For proper performance of DELTA®-DRY ensure top and bottom remain open to allow ventilation and drainage\*\*

SUBSTANTIAL EFFORT HAS BEEN MADE TO ENSURE THAT THE INFORMATION IN THIS DETAIL DRAWING IS ACCURATE. DÖRKEN SYSTEMS INC. CANNOT ACCEPT RESPONSIBILITY FOR ANY ERRORS OR OVERSIGHTS IN THE USE OF THIS MATERIAL OR IN THE PREPARATION OF ARCHITECTURAL OR ENGINEERING PLANS. THE DESIGN PROFESSIONAL MUST RECOGNIZE THAT NO DESIGN DETAIL CAN SUBSTITUTE FOR EXPERIENCED ENGINEERING AND PROFESSIONAL JUDGEMENT.

TITLE:

DELTA®-DRY RAINSCREEN APPLICATION WITH  
 CEMENT BOARD CLADDING TOP OF WALL DETAIL  
 OPTION 1

DRAWN BY: Krzysztof Apriasz C. Tech., CPHC®

DATE: January 19, 2009  
 SCALE: NTS

FILE NAME:  
 DRY3T1

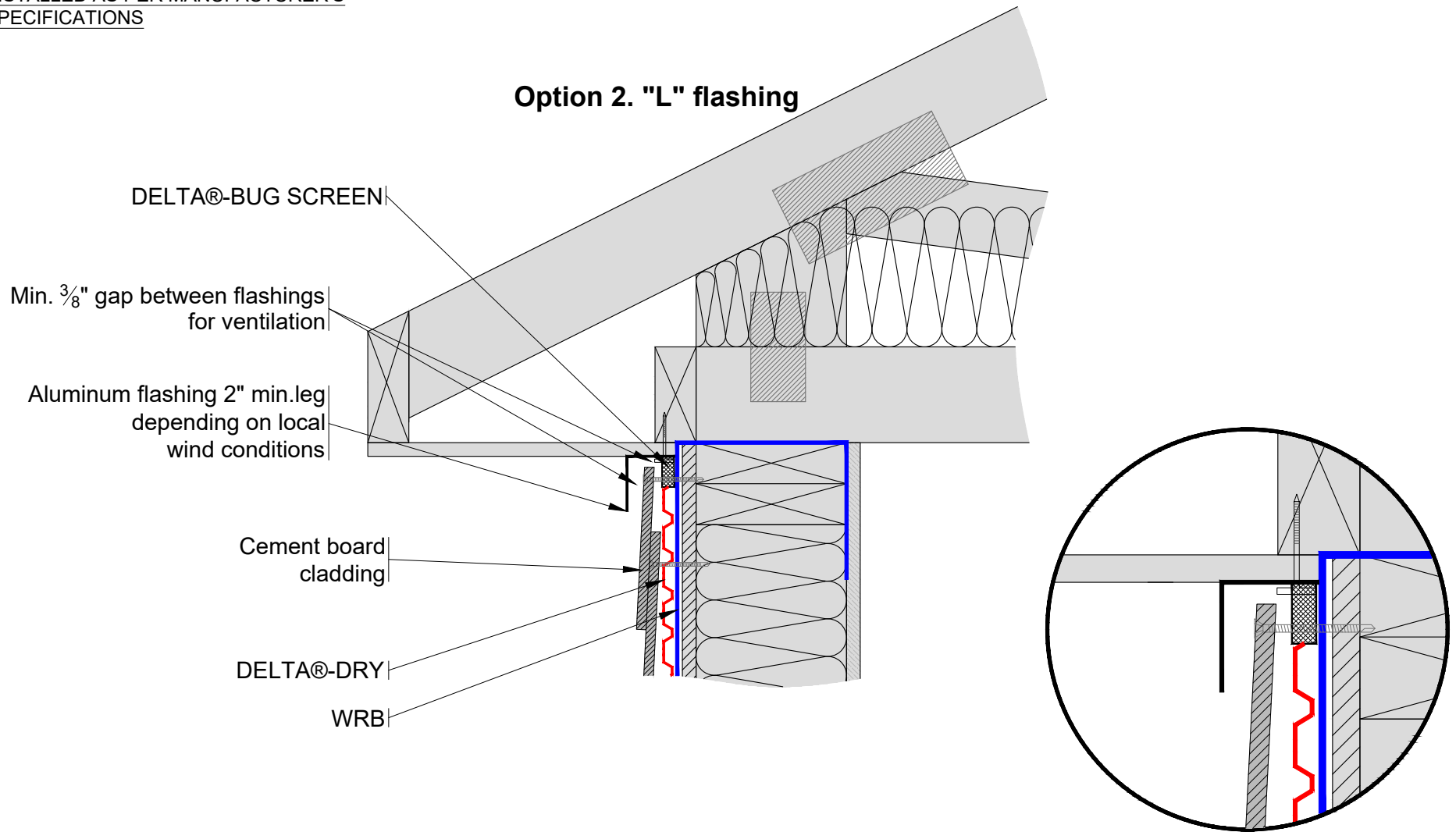
**DÖRKEN**

**DELTA®**

4655 DELTA WAY BEAMSVILLE, ON. L0R 1B4 CANADA  
 1-888-433-5824 or 1-905-563-3255

NOTE:  
 WRB (WATER-RESISTIVE BARRIER) TO BE  
 INSTALLED AS PER MANUFACTURER'S  
 SPECIFICATIONS

### Option 2. "L" flashing



\*\*For proper performance of DELTA@-DRY ensure top and bottom remain open to allow ventilation and drainage\*\*

SUBSTANTIAL EFFORT HAS BEEN MADE TO ENSURE THAT THE INFORMATION IN THIS DETAIL DRAWING IS ACCURATE. DÖRKEN SYSTEMS INC. CANNOT ACCEPT RESPONSIBILITY FOR ANY ERRORS OR OVERSIGHTS IN THE USE OF THIS MATERIAL OR IN THE PREPARATION OF ARCHITECTURAL OR ENGINEERING PLANS. THE DESIGN PROFESSIONAL MUST RECOGNIZE THAT NO DESIGN DETAIL CAN SUBSTITUTE FOR EXPERIENCED ENGINEERING AND PROFESSIONAL JUDGEMENT.

TITLE:

DELTA@-DRY RAINSCREEN APPLICATION WITH CEMENT BOARD CLADDING TOP OF WALL DETAIL OPTION 2

DRAWN BY: Krzysztof Apriasz C. Tech., CPHC®

DATE: January 19, 2009  
 SCALE: NTS

FILE NAME:  
 DRY3T2

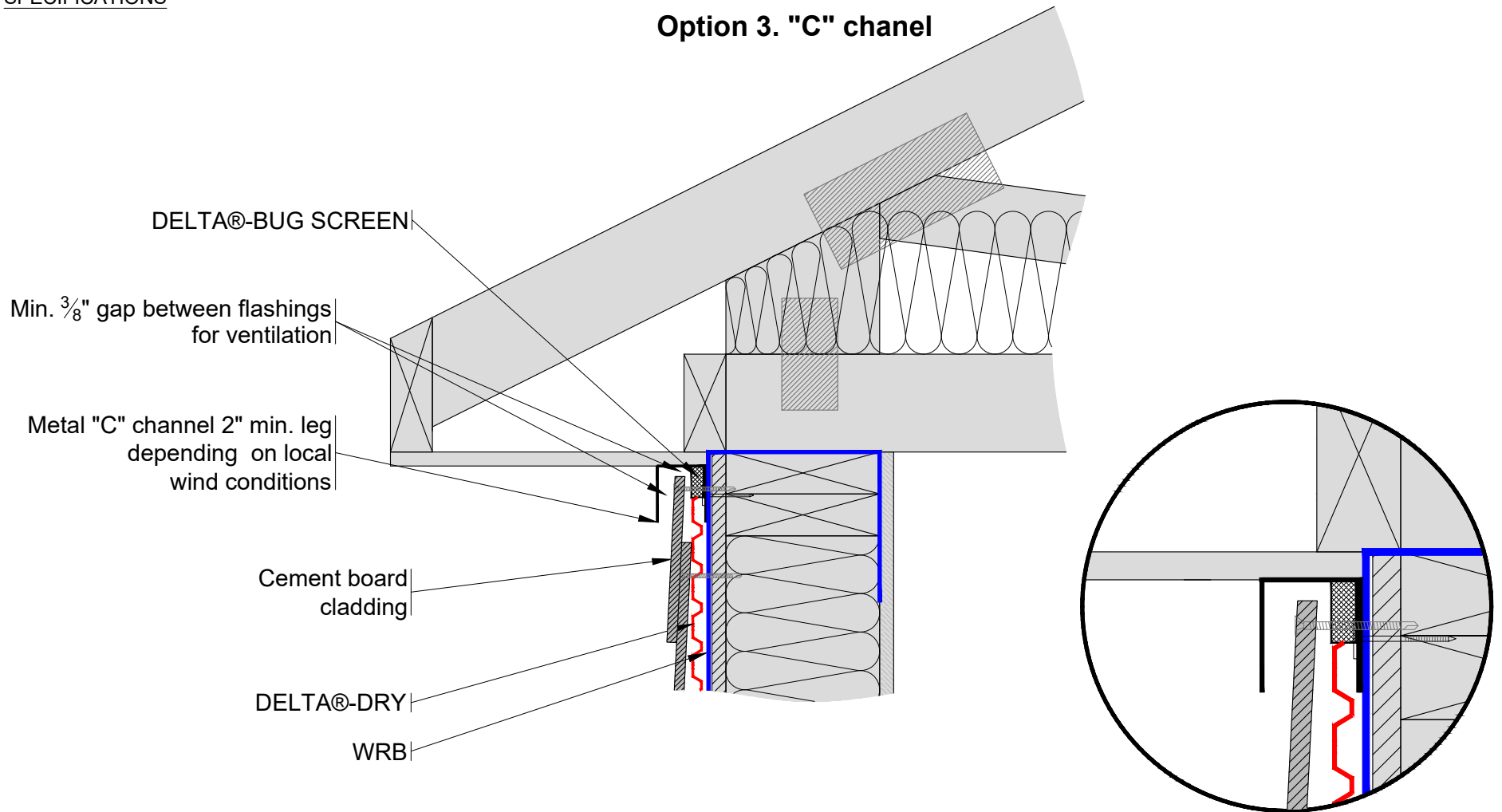
**DÖRKEN**

**DELTA®**

4655 DELTA WAY BEAMSVILLE, ON. L0R 1B4 CANADA  
 1-888-433-5824 or 1-905-563-3255

NOTE:  
 WRB (WATER-RESISTIVE BARRIER) TO BE  
 INSTALLED AS PER MANUFACTURER'S  
 SPECIFICATIONS

### Option 3. "C" chanel



\*\*For proper performance of DELTA®-DRY ensure top and bottom remain open to allow ventilation and drainage\*\*

SUBSTANTIAL EFFORT HAS BEEN MADE TO ENSURE THAT THE INFORMATION IN THIS DETAIL DRAWING IS ACCURATE. DÖRKEN SYSTEMS INC. CANNOT ACCEPT RESPONSIBILITY FOR ANY ERRORS OR OVERSIGHTS IN THE USE OF THIS MATERIAL OR IN THE PREPARATION OF ARCHITECTURAL OR ENGINEERING PLANS. THE DESIGN PROFESSIONAL MUST RECOGNIZE THAT NO DESIGN DETAIL CAN SUBSTITUTE FOR EXPERIENCED ENGINEERING AND PROFESSIONAL JUDGEMENT.

TITLE:

DELTA®-DRY RAINSCREEN APPLICATION WITH  
 CEMENT BOARD CLADDING TOP OF WALL DETAIL  
 OPTION 3

DRAWN BY: Krzysztof Apiasz C. Tech., CPHC®

DATE: January 19, 2009  
 SCALE: NTS

FILE NAME:  
 DRY3T3

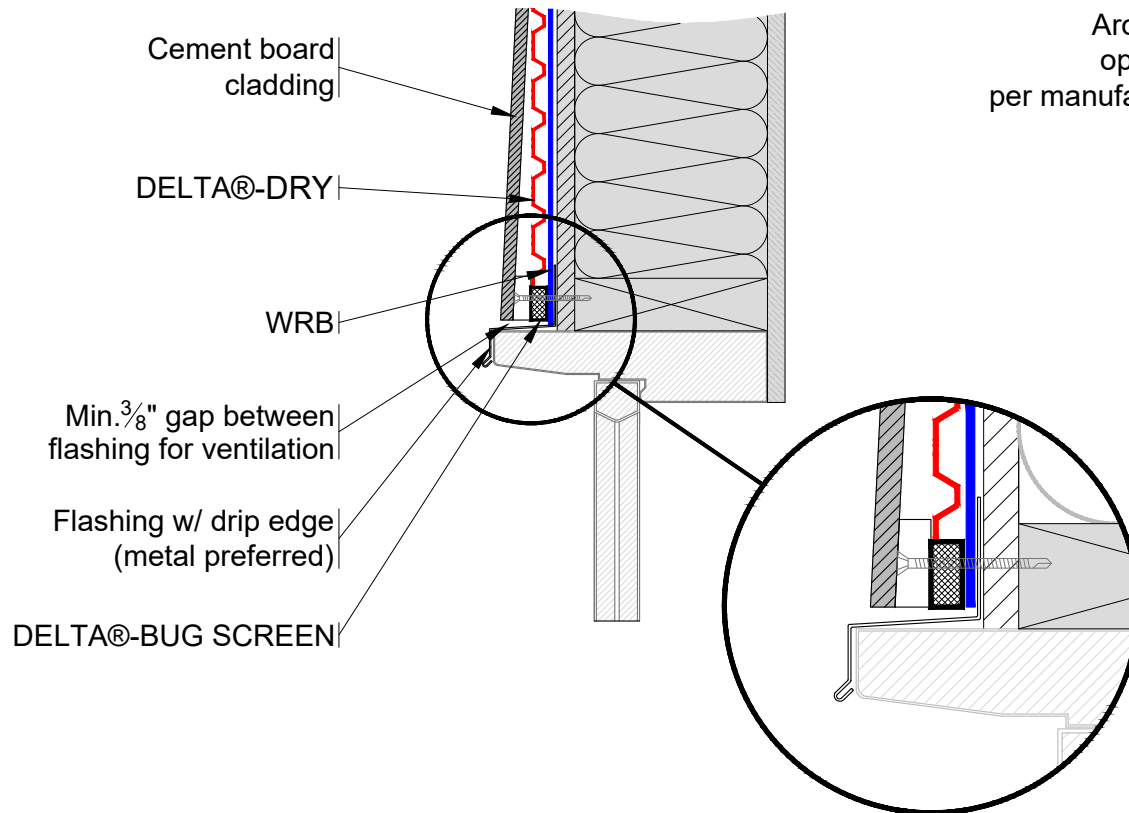
**DÖRKEN**

**DELTA®**

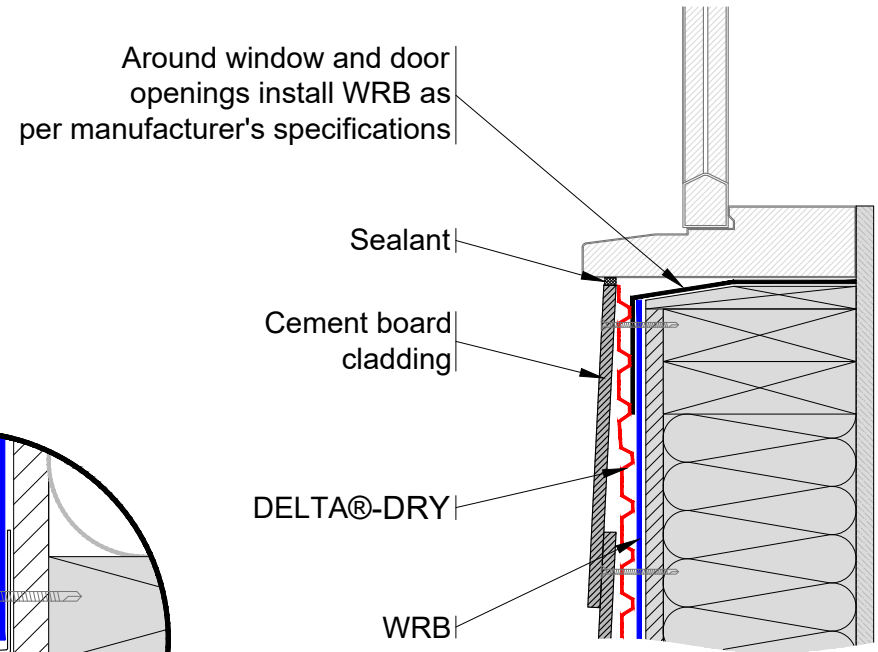
4655 DELTA WAY BEAMSVILLE, ON. L0R 1B4 CANADA  
 1-888-433-5824 or 1-905-563-3255

NOTE:  
 WRB (WATER-RESISTIVE BARRIER) TO BE  
 INSTALLED AS PER MANUFACTURER'S  
 SPECIFICATIONS

**TOP OF WINDOW DETAIL**



**BOTTOM OF WINDOW DETAIL**



**\*\*For proper performance of DELTA®-DRY ensure top and bottom remain open to allow ventilation and drainage\*\***

SUBSTANTIAL EFFORT HAS BEEN MADE TO ENSURE THAT THE INFORMATION IN THIS DETAIL DRAWING IS ACCURATE. DÖRKEN SYSTEMS INC. CANNOT ACCEPT RESPONSIBILITY FOR ANY ERRORS OR OVERSIGHTS IN THE USE OF THIS MATERIAL OR IN THE PREPARATION OF ARCHITECTURAL OR ENGINEERING PLANS. THE DESIGN PROFESSIONAL MUST RECOGNIZE THAT NO DESIGN DETAIL CAN SUBSTITUTE FOR EXPERIENCED ENGINEERING AND PROFESSIONAL JUDGEMENT.

TITLE:

**DELTA®-DRY RAINSCREEN APPLICATION WITH CEMENT BOARD CLADDING WINDOW DETAIL**

DRAWN BY: Krzysztof Apriasz C. Tech., CPHC®

DATE: January 19, 2009  
 SCALE: NTS

FILE NAME:  
 DRY3W1



4655 DELTA WAY BEAMSVILLE, ON. L0R 1B4 CANADA  
 1-888-433-5824 or 1-905-563-3255