



Most Widely Accepted and Trusted

ICC-ES Report

ESR-2791

ICC-ES | (800) 423-6587 | (562) 699-0543 | www.icc-es.org

Valid: 01/15 to 01/16

DIVISION: 07 00 00—THERMAL AND MOISTURE PROTECTION
SECTION: 07 65 00—FLEXIBLE FLASHING
SECTION: 07 71 23—MANUFACTURED GUTTERS AND DOWNSPOUTS
SECTION: 07 72 00—ROOF ACCESSORIES

REPORT HOLDER:

DRYFLEKT, INC.

**145 BANK STREET
TELLICO PLAINS, TENNESSEE 37385**

EVALUATION SUBJECT:

DRYFLEKT KICK-OUT DIVERter FLASHING



Look for the trusted marks of Conformity!

“2014 Recipient of Prestigious Western States Seismic Policy Council (WSSPC) Award in Excellence”



A Subsidiary of

ICC-ES Evaluation Reports are not to be construed as representing aesthetics or any other attributes not specifically addressed, nor are they to be construed as an endorsement of the subject of the report or a recommendation for its use. There is no warranty by ICC Evaluation Service, LLC, express or implied, as to any finding or other matter in this report, or as to any product covered by the report.



ICC-ES Evaluation Report**ESR-2791**

Issued January 2015

This report is subject to renewal January 2016.www.icc-es.org | (800) 423-6587 | (562) 699-0543

A Subsidiary of the International Code Council®

**DIVISION: 07 00 00—THERMAL AND MOISTURE
PROTECTION****Section: 07 65 00—Flexible Flashing****Section: 07 71 23—Manufactured Gutters and
Downspouts****Section: 07 72 00—Roof Accessories****REPORT HOLDER:****DRYFLEKT, INC.**
145 BANK STREET
TELLICO PLAINS, TENNESSEE 37385
(877) 985-1010
www.dryflekt.com**EVALUATION SUBJECT:****DRYFLEKT KICK-OUT DIVERTER FLASHING****1.0 EVALUATION SCOPE****Compliance with the following codes:**

- 2012, 2009 and 2006 *International Building Code*®
- 2012, 2009 and 2006 *International Residential Code*®

Properties evaluated:

- Weather resistance
- Durability

2.0 USES

The DryFlekt Kick-Out Diverter Flashing is used as part of the roof flashing to divert water away from vertical walls into gutters.

3.0 DESCRIPTION

The DryFlekt Kick-Out Diverter flashing is made of thermoplastic poly olefin (TPO) and is approximately 14.5 inches long by 6 inches high by 6 inches wide by $\frac{1}{16}$ inch thick. The flashing is produced in left and right configurations and is available in various colors. See Figure 1.

4.0 INSTALLATION

The DryFlekt Kick-Out Diverter installation must be coordinated in sequence with installation of adjacent material. Roofing underlayment, step flashing, roof shingles, drainage material and gutters must be installed

in accordance with the roof covering manufacturer's installation instructions and/or the design professional's specifications and instructions. The DryFlekt Kick-Out Diverter must be placed as the first piece of step flashing. The diverter must be fastened and sealed to the deck and shingle starter strip in accordance with the roof covering manufacturer's installation instructions and the appropriate codes. Sidewall flashing must overlap the diverter by a minimum of 4 inches (102 mm).

5.0 CONDITIONS OF USE

The DryFlekt Kick-Out Diverter Flashing described in this report complies with, or is a suitable alternative to what is specified in, those codes listed in Section 1.0 of this report, subject to the following conditions:

- 5.1** DryFlekt Kick-Out Diverter Flashing must be installed in accordance with the manufacturer's published installation instructions, the applicable code and this evaluation report. In the event of a conflict between this report and the manufacturer's published installation instructions, this report governs.
- 5.2** The DryFlekt Kick-Out Diverter Flashing is limited to use in applications where a vertical surface (wall) intersects the roof covering at the eave or lower edge of the roof.
- 5.3** The DryFlekt Kick-Out Diverter Flashing is limited to use on solid sheathed roof decks.

6.0 EVIDENCE SUBMITTED

- 6.1** Manufacturer's descriptive literature and installation instructions.
- 6.2** Data in accordance with Sections 4.2, 4.3, 4.4, 4.5, 4.6, and 4.7 of the ICC-ES Acceptance Criteria for Roof Flashing for Pipe Penetrations (AC286), dated October 2012 (editorially revised August 2013).
- 6.3** Quality documentation in accordance with the ICC-ES Acceptance Criteria for Quality Documentation (AC10), dated January 2014.

7.0 IDENTIFICATION

DryFlekt Kick-Out Diverter Flashing is labeled with the product name (DryFlekt Kick-Out Diverter Flashing) and the evaluation report number (ESR-2791).

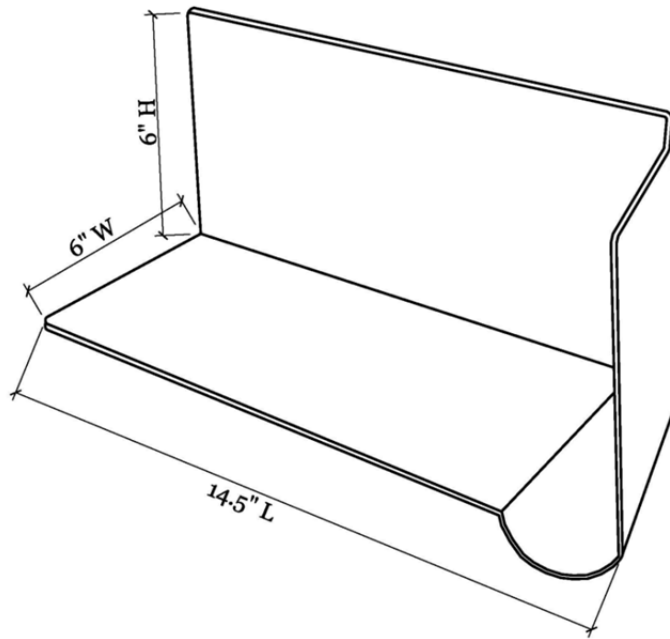


FIGURE 1—DRYFLEKT KICK-OUT DIVERTER FLASHING

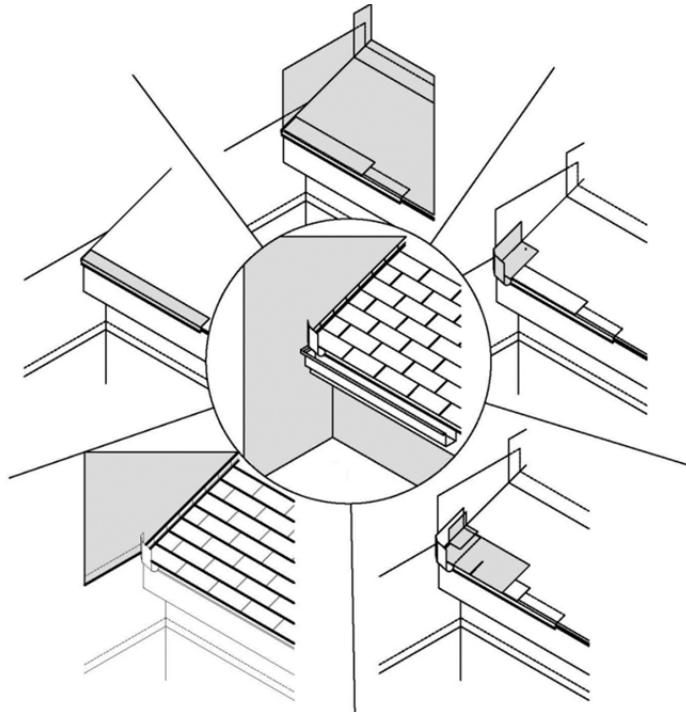


FIGURE 2—INSTALLATION DETAILS