

DuPont™ Flashing Tape

BUILDING SCIENCE BULLETIN

DuPont™ Flashing Tape provides a cost-effective way to help protect the jambs and heads of today's residential windows from water intrusion.



DuPont™ Flashing Tape is easy to install with a forgiving initial tack.

By helping to channel water effectively outside the home, DuPont™ Flashing Tape helps protect against water damage that can occur when moisture becomes trapped within the wall system. Providing a durable seal at the window-wall interface, DuPont™ Flashing Tape integrates easily with the complete line of DuPont™ Tyvek® Weatherization Systems products to help completely seal the building envelope.

Properties

DuPont™ Flashing Tape contains no asphalt components; instead, it uses a superior performance butyl-based adhesive system and a thermally stable polyolefin top-sheet that will not deteriorate or stain after extended exposure to temperatures up to 180°F (82°C). It adheres well to most common building materials while maintaining a forgiving initial tack, thereby allowing for repositioning of the product during installation. Application of DuPont™ Flashing Tape can be done efficiently with its lightweight release liner and at external temperatures as low as 25°F (-4°C).

DuPont™ Flashing Tape comes in convenient 4" and 6" roll widths with each roll providing 100 linear feet of coverage. For an average-size home containing twenty rectangular windows, three rolls of DuPont™ Flashing Tape would typically be sufficient to properly flash those window openings (assuming average usage of 15 linear feet of DuPont™ Flashing Tape per window). The 4" DuPont™ Flashing Tape is recommended for flashing the jambs and heads of standard integral flange residential windows. The 6" DuPont™ Flashing Tape is recommended for applications needing better coverage on the head of the window (such as flashing onto "rough-side" OSB).

DuPont™ Flashing Tape meets the requirements for the AAMA 711-05 material standard at the highest classification level. Compliance to this standard helps provide innovative flashing solutions to meet your needs across a broad range of building practices.

Ongoing support

Our DuPont™ Flashing Tape is supported by the DuPont™ Tyvek® Specialist Network, a national group of over 180 highly-trained field representatives supporting you before, during and after construction. The DuPont™ Tyvek® Certified Installer Program provides on-site installation services to help completely seal the building envelope. All backed by a limited warranty, helping protect the homeowner's investment and the builder's reputation.



DuPont™ Flashing Tape comes in convenient 4" and 6" roll widths.



The miracles of science™

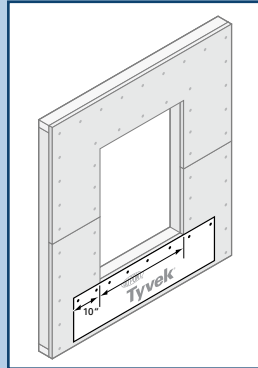
DuPont™
Flashing Tape

Refer to the general instructions on back cover prior to installation.

Rectangular* integral flanged windows BEFORE water-resistive barrier (WRB) Installation guidelines

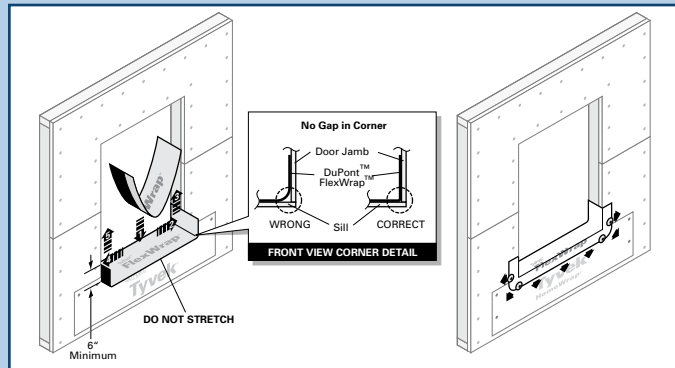
Prepare the window

- Attach DuPont™ Tyvek® HomeWrap® WRB apron under sill.
- Apron should extend 10" beyond sides of rough opening jamb.



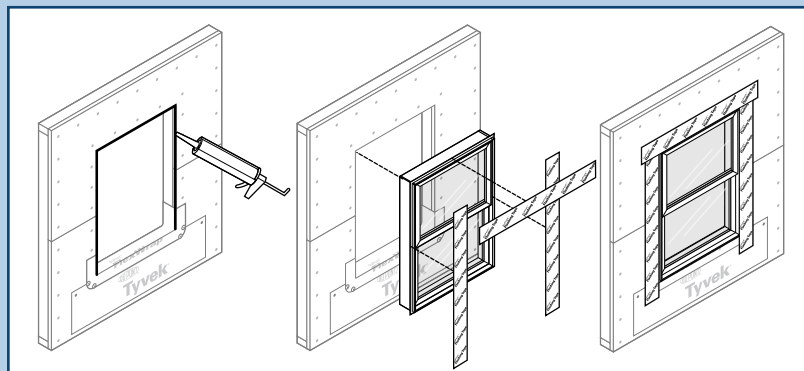
Begin flashing

- Clean surfaces.
- Apply DuPont™ FlexWrap™ in sill and 6" up jamb.
- Secure with mechanical fasteners on flexed edges of sill flashing.



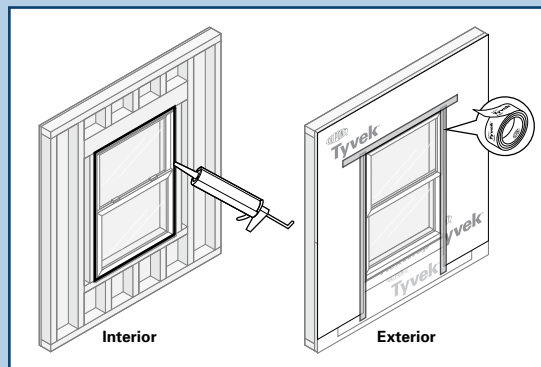
Flash/Install window

- Caulk window on three sides (jamb and head) as shown.
- Install window as per window manufacturer's instructions.
- Apply DuPont™ Flashing Tape on jambs extending 1" above window head flange and below bottom edge of sill flashing.
- Apply DuPont™ Flashing Tape on head extending beyond outer edges of jamb flashing.



Final steps

- Seal entire perimeter between window and wall cavity at the interior using caulk and backer rod as needed.
- Install DuPont™ Tyvek® HomeWrap® WRB and tape seams as shown. DO NOT TAPE at bottom of window.
- Lap apron and WRB over building materials with proper shingling.

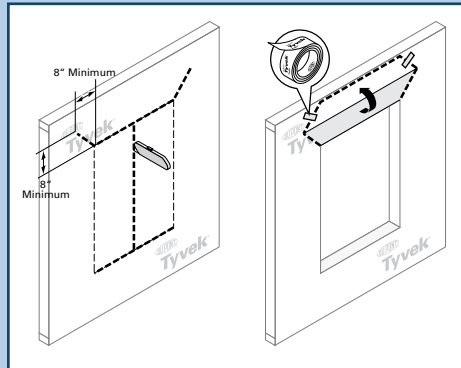


*For window constructions other than rectangular integral flanged windows, please refer to DuPont™ Flashing Systems installation guidelines.

Rectangular* integral flanged windows AFTER water-resistive barrier (WRB) Installation guidelines

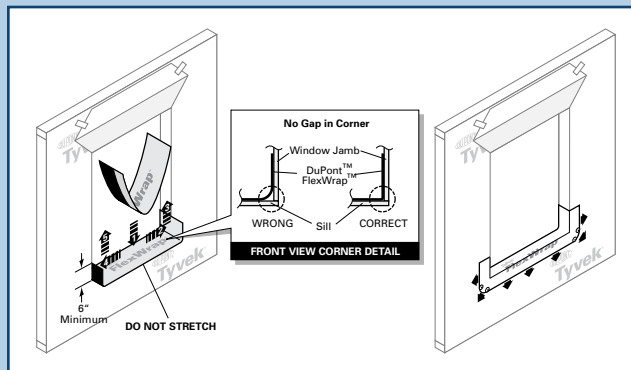
Prepare the window

- Make standard "I-cut" (modified I-cut is also accepted) in the WRB.
- Cut two 45° slits in WRB to create a flap above the rough opening; flip head flap up and temporarily secure with DuPont™ Tyvek® Tape.



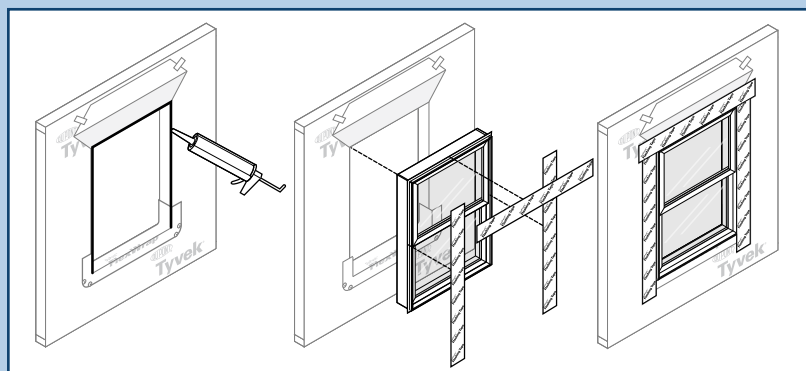
Begin flashing

- Apply DuPont™ FlexWrap™ in sill and 6" up jambs.
- Secure with mechanical fasteners on flexed edges of sill flashing.



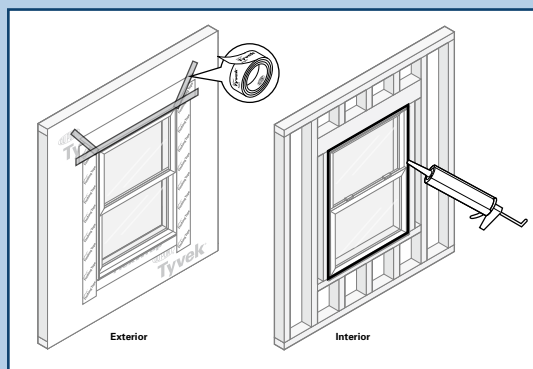
Flash/Install window

- Caulk window on three sides (jambs and head) as shown.
- Install window as per window manufacturer's instructions.
- Apply DuPont™ Flashing Tape on jambs extending 1" above window head flange and below bottom edge of sill flashing.
- Apply DuPont™ Flashing Tape on head extending beyond outer edges of jamb flashing.



Final steps

- Flip down upper flap of WRB so that it lays flat across head flashing; tape along all cuts in WRB and tape across the head of the window with DuPont™ Tyvek® Tape.
- Seal entire perimeter between window and wall cavity at the interior using caulk and backer rod as needed.



*For window constructions other than rectangular integral flanged windows, please refer to DuPont™ Flashing Systems installation guidelines.

General instructions

DuPont™ Flashing Tape should be installed on clean, dry surfaces that are free of frost and ice. Wipe surfaces to remove moisture, dirt, grease and other debris that could interfere with adhesion. For optimal installation, install at temperatures above 25°F.

Apply pressure along entire surface for a good bond using a j-roller or firm hand pressure.

Remove all wrinkles and bubbles by smoothing surface and repositioning DuPont™ Flashing Tape as necessary.

Door and window rough sill framing must be level or slightly sloped to the exterior of the building to facilitate drainage to the exterior.

DuPont™ Flashing Tape should be covered within 4 months (120 days).

Priming is generally not required for adhering DuPont™ Flashing Tape to most common building materials. However, adverse weather conditions or cold temperatures may require use of a primer to promote adhesion. Additionally, building materials that have inconsistent or loosely bonded surfaces, such as fibrous sheathing, fiber-faced exterior gypsum board, rough/loosely bonded OSB, or rough concrete block surfaces, require the use of approved primers. Consult your local DuPont™ Tyvek® Specialist for primer recommendations and approved primers.

For additional guidelines, please call 1-800-44-Tyvek (1-800-448-9835), or consult your local DuPont™ Tyvek® Specialist.

CAUTION: DuPont™ Flashing Tape with its release paper intact is slippery and therefore poses a potential safety hazard if walked on. Discard removed release paper in such a way as to avoid a potential slipping hazard. DuPont™ Flashing Tape is combustible and should not be exposed to an open flame or other ignition sources.

AAMA COMPLIANCE: DuPont™ Flashing Tape complies with the requirements for the AAMA 711-05 material standard at the highest classification level: Class A (no need for primer under conditions tested) and Level 3 Thermal Exposure (7 days @ 176°F [80°C]). In addition, DuPont™ Flashing Tape meets the peel adhesion requirements of AAMA 711-05 that qualifies the installation of the product at external temperatures as low as 25°F (-4°C) as long as the surface is clean, dry and free from frost and ice.

NOTE: When installed in conjunction with other building materials, DuPont™ Flashing Tape must be properly shingled with these materials, such that water is diverted to the exterior of the wall system. Proper installation of each component is very important. DuPont™ Flashing Tape is not suggested for use on roof windows.

The information provided in this brochure is accurate as of the date of publication. It is the user's responsibility to determine the proper construction materials needed for their particular project.

LIMITED WARRANTY: DuPont warrants for a period of ten (10) years from the date of installation that DuPont™ Flashing Systems products will meet the water resistance properties described in IBC AC-148, "Acceptance Criteria for Flexible Flashing Materials" provided the DuPont™ Flashing Systems are installed in strict compliance with the applicable DuPont Installation Guidelines and other applicable installation guidelines in effect at the time of installation. DuPont sole liability under this Warranty is limited to repair or replacement of the defective portion of the DuPont™ Flashing Systems when the problem is caused solely by failure of DuPont™ Flashing Systems to meet the above IBC properties for water resistance.

For complete warranty information, please see the full Warranty at www.Construction.Tyvek.com. To submit a warranty claim, please contact www.Construction.Tyvek.com or call 1-800-44-Tyvek. Warranty coverage requires submission of proof of purchase of the DuPont™ Flashing Systems at issue. Warranty is effective as to DuPont™ Flashing Systems products purchased and installed after May 15th, 2007.



The miracles of science™

For more information,
please call 1-800-44-Tyvek