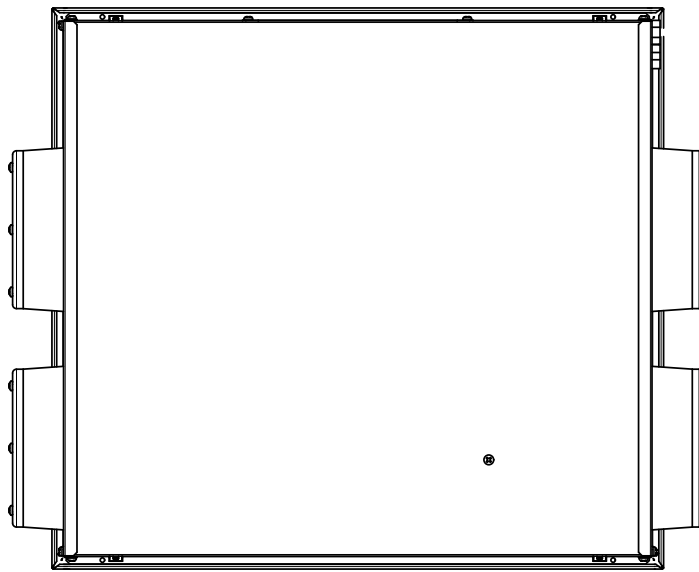




## INSTALLATION AND USER GUIDE FOR BROAN ERVS100



VB0231

**⚠ RESIDENTIAL USE ONLY ⚠**

**READ AND SAVE THESE INSTRUCTIONS  
INSTALLER: LEAVE THIS MANUAL WITH HOMEOWNER**

Broan-NuTone LLC; Hartford, Wisconsin [www.broan.com](http://www.broan.com) 877-862-7626

REGISTER YOUR PRODUCT ONLINE AT: [www.broan.com/register](http://www.broan.com/register)

For additional information - visit [www.broan.com](http://www.broan.com)



7 72371 13546 8

22077 rev. 03

# ABOUT THIS MANUAL

---

Please take note that this manual uses the following symbols to emphasize particular information:

## **⚠ WARNING**

**Identifies an instruction which, if not followed, might cause serious personal injuries including possibility of death.**

## **CAUTION**

**Identifies an instruction which, if not followed, may severely damage the unit and/or its components.**

NOTE: Indicates supplementary information needed to fully complete an instruction.

# ABOUT THESE UNITS

---

## **LIMITATION**

For residential (domestic) installation only. Installation work and electrical wiring must be done by a qualified person(s) in accordance with all applicable codes and standards, including fire-rated construction codes and standards.

## **⚠ WARNING**

### **TO REDUCE THE RISK OF FIRE, ELECTRIC SHOCK, OR INJURY TO PERSON(S) OBSERVE THE FOLLOWING:**

1. Use this unit only in the manner intended by the manufacturer. If you have questions, contact the manufacturer at the address or telephone number listed in the warranty.
2. Before servicing or cleaning the unit, disconnect the power cord from electrical outlet or turn power off at the service panel.
3. This unit is not designed to provide combustion and/or dilution air for fuel-burning appliances.
4. When cutting or drilling into a wall or ceiling, do not damage electrical wiring and other hidden utilities.
5. Do not use this unit with any solid-state speed control device other than following controls:

AUXILIARY CONTROLS ENERGIZED BY UNIT
BROAN VB20W 20-MINUTE LIGHTED PUSH-BUTTON TIMER
STANDARD DRY CONTACT STANDBY SWITCH

6. This unit must be grounded. The power supply cord has a 3-prong grounding plug for your personal safety. It must be plugged into a mating 3-prong grounding receptacle, grounded in accordance with the national electrical code and local codes and ordinances. Do not remove the ground prong. Do not use an extension cord.
7. Do not install in a cooking area or connect directly to any appliances.
8. Do not use to exhaust hazardous or explosive materials and vapors.
9. This unit must be protected from the elements.
10. When performing installation, servicing or cleaning these units, it is recommended to wear safety glasses and gloves.
11. When applicable local regulation comprises more restrictive installation and/or certification requirements, the aforementioned requirements prevail on those of this document and the installer agrees to conform to these at his own expenses.

## **CAUTION**

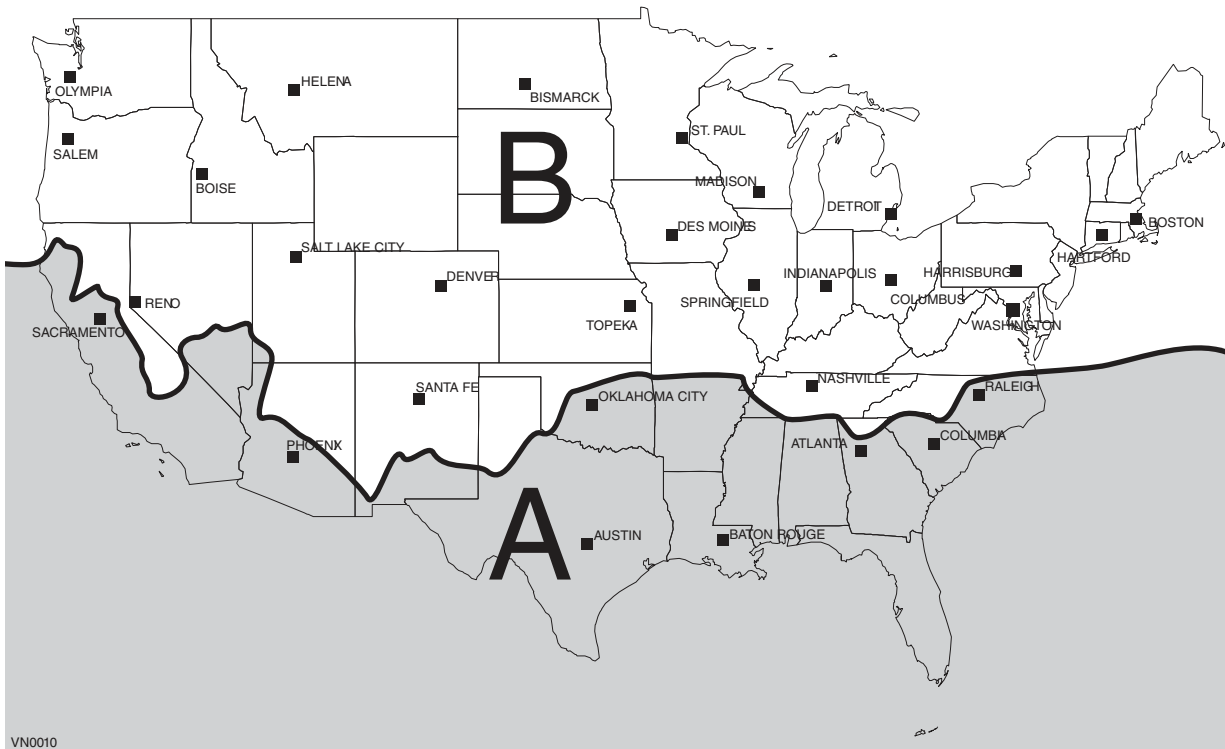
1. To avoid prematurely clogged filters and chemical attacks on materiel, turn the unit OFF during construction or renovation.
2. Please read specification label on product for further information and requirements.
3. Be sure to duct air outside – Do not intake/exhaust air into spaces within walls or ceiling or into attics, crawl spaces, or garage.
4. Intended for residential installation only in accordance with the requirements of NFPA 90B (for a unit installed in U.S.A.).
5. Do not run any air ducts directly above or closer than 2 ft to any furnace or its supply plenum, boiler, or other heat producing appliance. If a duct has to be connected to the furnace return plenum, it must be connected as far as possible from this plenum connection to the furnace.
6. The ductwork is intended to be installed in compliance with all local and national codes that are applicable.
7. When leaving the house for a long period of time (more than two weeks), a responsible person should regularly check if the unit operates adequately.

# TABLE OF CONTENTS

1	Safe Installation Zone .....	3
2	Unit Preparation .....	4
3	Installation .....	4-10
3.1	Positioning the Unit .....	4-6
3.2	Combining with an AHU .....	7
3.3	Installing the Registers, Ductwork and Hoods .....	8-9
3.4	Connecting the controls .....	9-10
4	Getting the Unit Started .....	11
4.1	Unit Settings .....	11
4.2	Prepare the Unit .....	11
4.3	Booting Sequence .....	11
5	Maintenance .....	12-13
5.1	Quarterly Maintenance .....	12
5.2	Annual Maintenance .....	13
6	Warranty .....	13
7	Wiring Diagram .....	14
8	Service Parts .....	15
9	Troubleshooting .....	16

## 1 Safe Installation Zone

This unit is designed for installation where temperature is above 14°F throughout the year (zone **A** on map below). For units installed in **B** zone, they must be installed in a conditioned space.



VN0010

## 2 Unit Preparation

- Inspect the exterior of the unit for shipping damage.
- Unit should never operate while the building is still in construction.
- Unit is shipped with its door covered with a cardboard for protection during construction. Leave the cardboard on until painting.

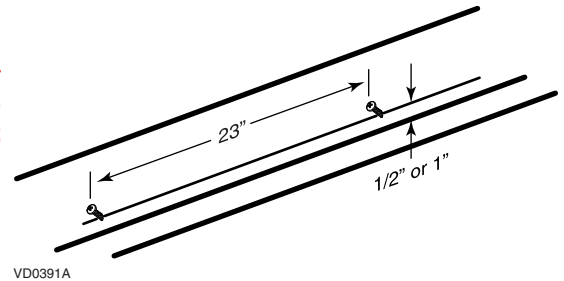
## 3 Installation

### 3.1 Positioning the Unit

- Unit can be installed between 24" on-center trusses, on top of 24" on-center trusses or under the ceiling, using brackets. A set of 4 brackets is included in the hardware kit, along with the necessary screws.
- A standard 3-prong electrical outlet has to be available within 28" of the unit and must be connected to its own dedicated circuit.
- Allow a 12" clearance for the door, core and filters to be removed for maintenance.

#### 3.1.1 Installation in the ceiling (between 24" on-center trusses)

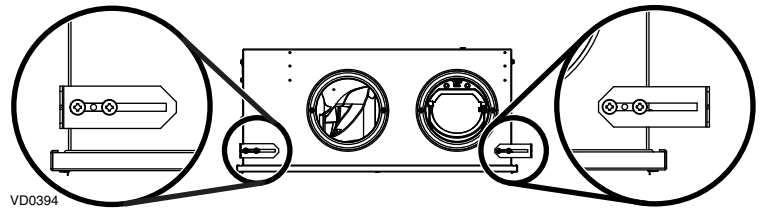
1. Trace a level line on both trusses, at 1/2" or 1" from the bottom, for the unit bracket location (1/2" will allow the unit door perimeter to lay on ceiling material while 1" will result in flush mount installation; see **A** and **B** in next page). On one truss, screw half way on level line two no. 8 x 1 1/2" provided screws, leaving 23" between each other.



VD0391A

2. Mount the 4 brackets to the unit as illustrated at right, using two no. 10 x 5/8" screws provided for each bracket.

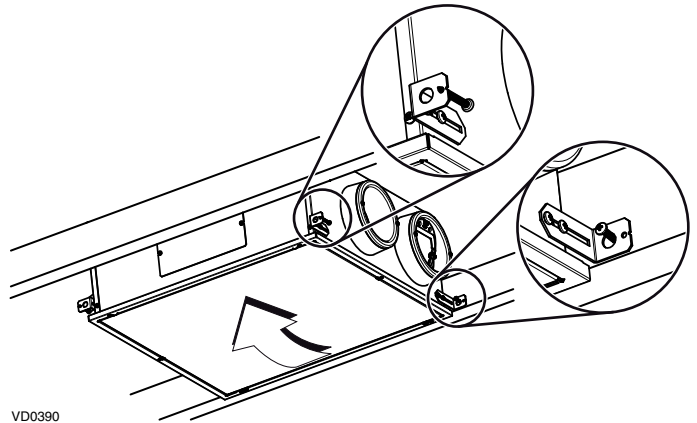
TIP: Screw half way the screws to allow adjustment between trusses, see insets at right (left shows the minimum distance and right the maximum distance).



VD0394

3. Hang the lightest side of the unit on the screws mounted on the truss using the larger holes of the brackets.

4. Lift the other side of the unit and secure it to the other truss using one no. 8 x 1 1/2" screw per bracket, inserted through the smaller hole of the brackets.



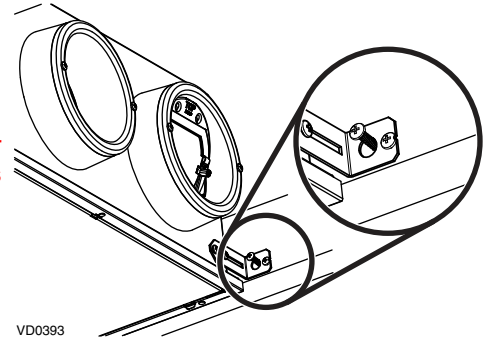
VD0390

# 3 Installation (cont'd)

## 3.1 Positioning the Unit (cont'd)

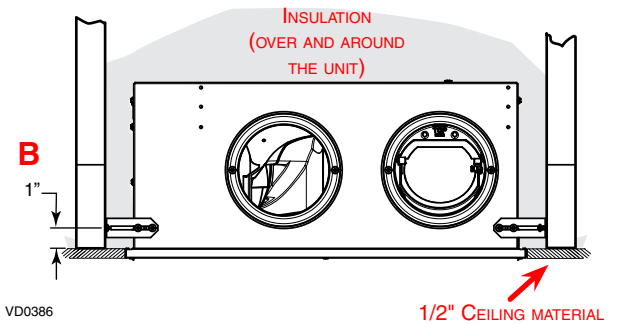
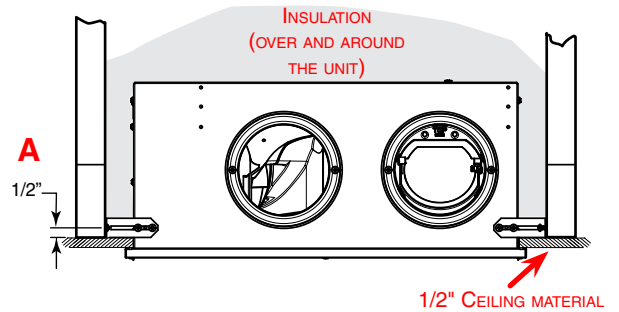
### 3.1.1 Installation in the ceiling (between 24" on-center trusses) (cont'd)

5. Secure the first brackets installed to the truss using one no. 8 x 1½" screw per bracket, inserted through their smaller hole, then tighten completely the brackets screws to the unit.



**CAUTION**  
When installed in the attic, insulation must be spread over the unit.

6. Spread the insulation over the unit (and around, as for **B** at right).

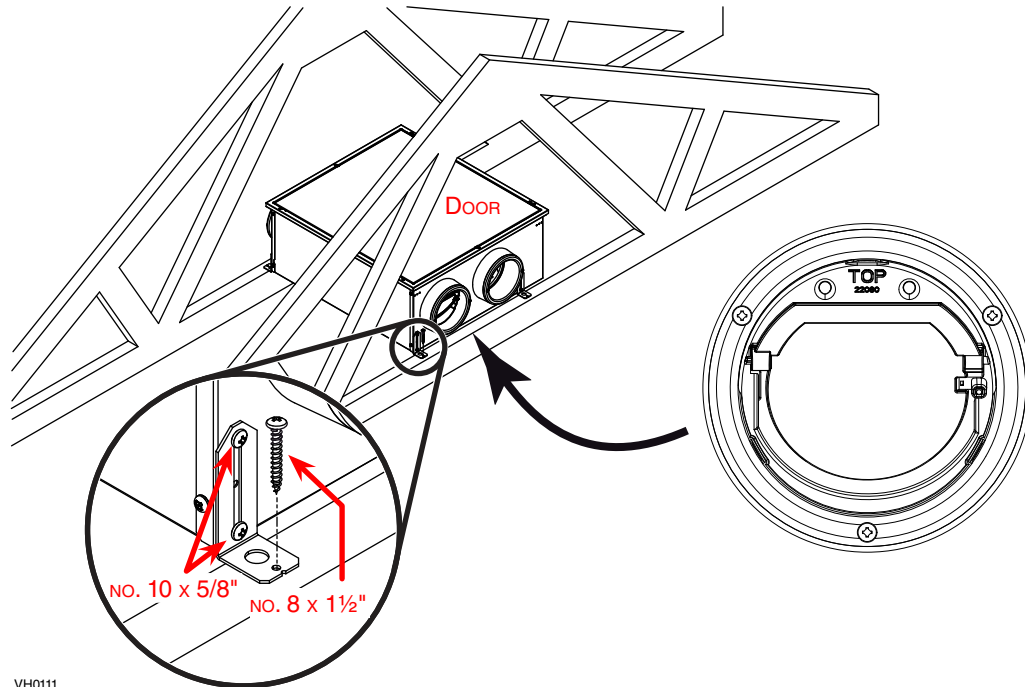


## 3 Installation (cont'd)

### 3.1 Positioning the Unit (cont'd)

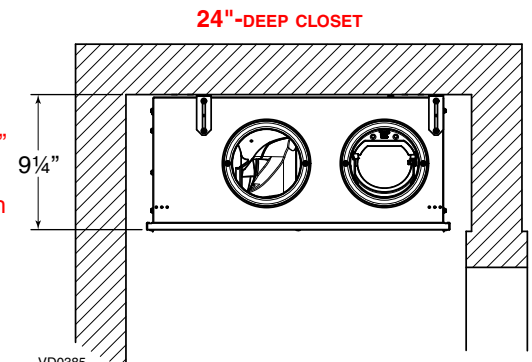
#### 3.1.2 Installation in the attic (unit having its door on top)

1. Rotate the backdraft damper 180° (no tool required) so that it falls in closed position and the word "TOP" engraved on the damper is up once the unit is in place.
2. Mount the brackets to the unit as illustrated below using two no. 10 x 5/8" screws provided for each bracket.
3. Secure the unit to the trusses using one no. 8 x 1½" screw provided for each bracket.
4. **IMPORTANT:** If the attic is not ventilated and without radiant barrier sheathing, insulation material must be added around and over the unit. Ensure access is kept for product maintenance.



#### 3.1.3 Installation under the ceiling (in a living area)

1. Mount the brackets to the unit as illustrated above using two no. 10 x 5/8" screws provided for each bracket.
2. Secure unit to the ceiling using two no. 8 x 1½" screws provided for each bracket, making sure not to secure it into drywall alone.



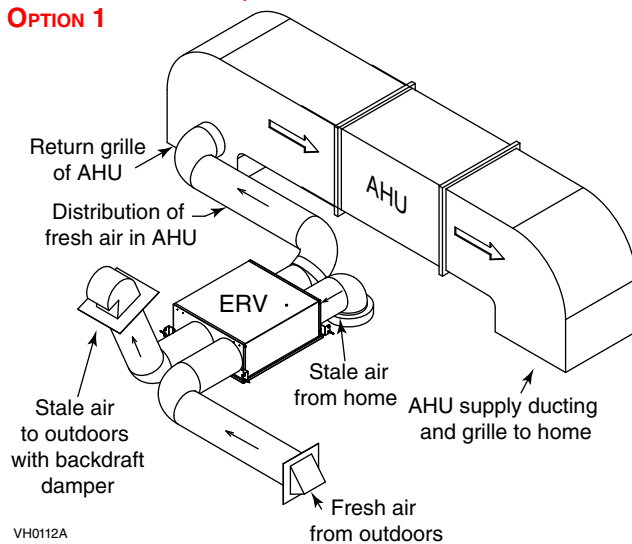
# 3 Installation (cont'd)

## 3.2 Combining with an AHU

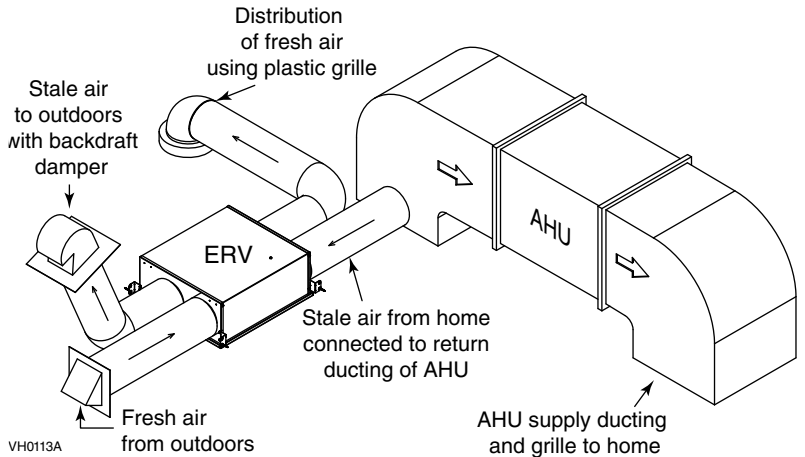
### 3.2.1 Recommended configurations

When the distribution of fresh air from the ERV is connected to the return of an AHU (such as in the image below, on the left), the connection should be done **as close as possible from one AHU return grille** to ensure proper functioning of the built-in fresh air damper.

#### OPTION 1



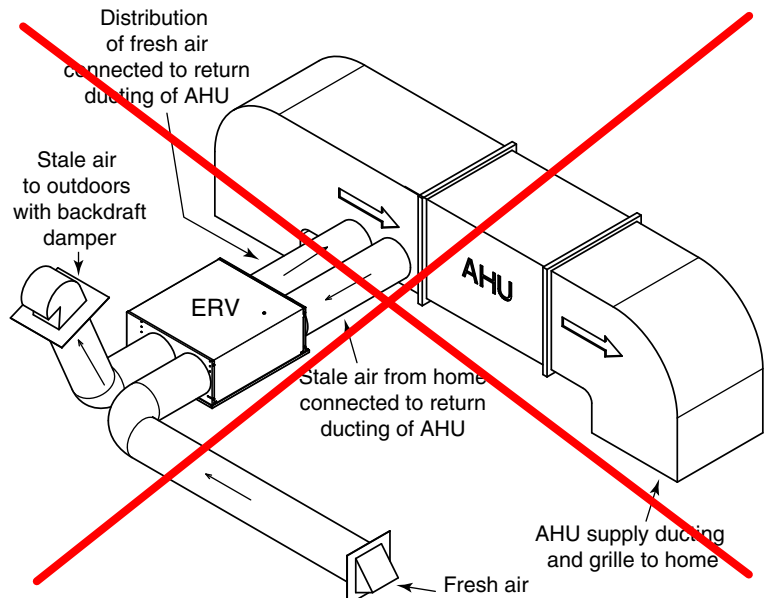
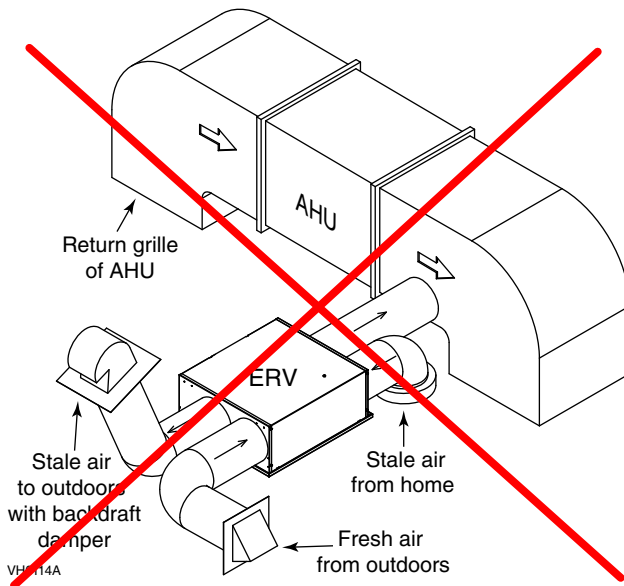
#### OPTION 2



### 3.2.2 Prohibited configurations

Distribution of fresh air from the ERV in the distribution ducting from the AHU (such as in the image below, on the left) may cause condensation issues during cooling season and must be avoided.

Connecting both distribution of fresh air from the ERV and stale air exhaust in the AHU return ducting (such as in the image below, on the right) must be avoided.



## 3 Installation (cont'd)

### 3.3 Installing the Registers, Ductwork and Hoods

#### 3.3.1 Registers

#### ⚠ WARNING

Never install a stale air exhaust register in a closed room where a combustion device operates, such as a gas furnace, a gas water heater or a fireplace.

Refer to applicable building codes to plan where the stale air exhaust registers and fresh air distribution registers should be installed. Below are some general recommendations.

#### Stale air exhaust registers:

- Install the stale air exhaust registers where the contaminants are produced: bathroom (up to 2), kitchen, living room, etc. Position the registers as far from the stairway as possible and in such a way that the air circulates in all the lived-in spaces in the house.
- If a register is installed in the kitchen, it must be located at least 4 feet away from the cooking appliances.
- Install the registers on an interior wall, 6 to 12 inches below the ceiling OR in the ceiling.

#### Fresh air distribution registers (Option 2 in 3.2.1):

- Install the fresh air distribution registers in bedrooms, dining rooms, living rooms and basement, if applicable.
- Keep in mind that the fresh air registers must be located as far as possible from the ERV stale air registers.
- Install the registers on an interior wall, 6 to 12 inches below the ceiling OR in the ceiling.
- If a register must be floor installed, direct the airflow up the wall.

#### 3.3.2 Ductwork

#### ⚠ WARNING

When performing duct connections, always use approved tools and materials. Respect all corresponding laws and safety regulations. Please refer to your local building code.

#### CAUTION

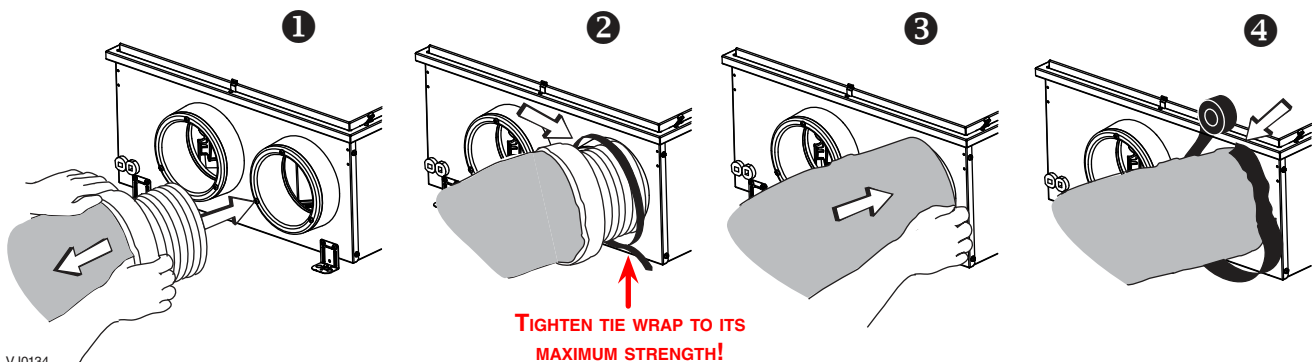
If ducts have to go through an unconditioned space (e.g.: attic), always use insulated ducts.

- All units ports should be connected to 6" ducts, but can be connected to larger ducts using an appropriate transition.
- If you have to connect rigid ducts to the unit, use a short length (approximately 6") of flexible duct to avoid transmission of vibrations. Use a tie wrap and foil tape to connect the flexible duct to the port and to the rigid duct.
- Never use screws to connect rigid ducting to the ports.

#### Connecting insulated flexible ducts to the ports:

1. Pull back the insulation to expose the flexible duct.
2. Attach the flexible duct to the port using a tie wrap; ensure tie wrap is tighten to its maximum strength.
3. Pull the insulation over the joint, then pull the vapor barrier (shaded part in illustrations below) over the insulation. Make sure that the vapor barrier does not tear due to manipulation to avoid condensation within the ducts.
4. Apply foil tape to the joint, making an airtight seal. Avoid compressing the insulation when pulling the tape tightly around the joint. Compressed insulation loses its R value and causes water dripping in cold climates due to condensation on the exterior surface of the duct.

NOTE: If sealant mastic has to be used over the foil tape as an extra sealing layer, use water based mastic to ensure material compatibility with the port.





# 3 Installation (cont'd)

## 3.3 Installing the Registers, Ductwork and Hoods (cont'd)

### 3.3.3 Hoods

Refer to applicable building codes to plan where the stale air exhaust hood and fresh air distribution hood should be installed. Below are some general recommendations.

#### ⚠ WARNING

**Make sure the intake hood is at least 6 feet away from any of the following:**

- **Dryer exhaust, high efficiency furnace vent, central vacuum vent**
- **Gas meter exhaust, gas barbecue-grill**
- **Any exhaust from a combustion source**
- **Garbage bin and any other source of contamination**

- There must be a minimum distance of 6' between the hoods to avoid cross-contamination.
- Hoods must be at least 18" above the ground.
- Exhaust hood must have a backdraft damper.

## 3.4 Connecting the Controls (energized by unit, low voltage)

- Controls are not included with this unit.
- Unit may be connected to a dry contact Standby switch if desired. In such case, unit remains powered on, but is put in Standby mode when the switch is turned on.
- This ERV can replace up to 2 bath fans. Where this is the case, unit should be connected to a 20-minute override control in each bathroom.

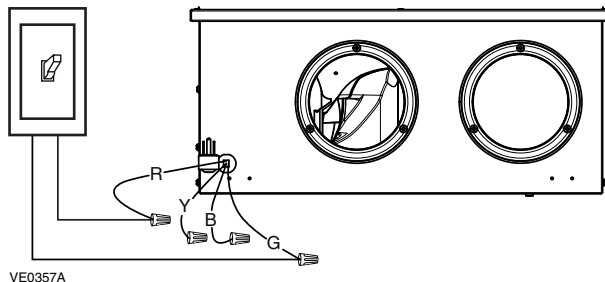
### 3.4.1 Connecting unit to a Standby switch

Install the dry contact Standby switch in a convenient place and connect it to unit as follows.

#### CAUTION

**Ensure all unused wires are capped off.**

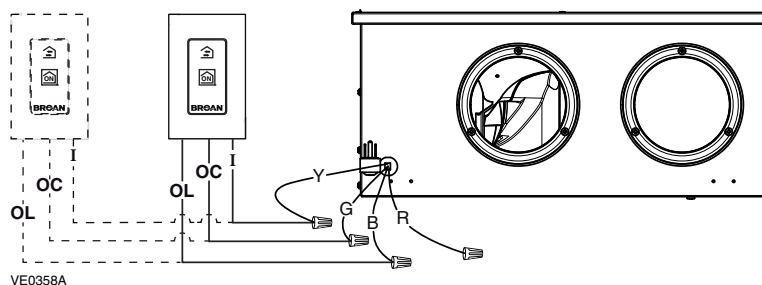
Switch position	Unit mode
Dry contact opened	Unit will run in the selected mode Refer to 4.1
Dry contact closed	Unit is kept in Standby mode



R RED  
Y YELLOW  
B BLACK  
G GREEN

### 3.4.2 Connecting unit to 1 or 2 Broan VB20W 20-minute push-button control(s)

1. Install the 20-minute push-button control in the bathroom(s) following instructions included with the control.
2. Connect it to unit as follows.



R RED  
Y YELLOW  
B BLACK  
G GREEN

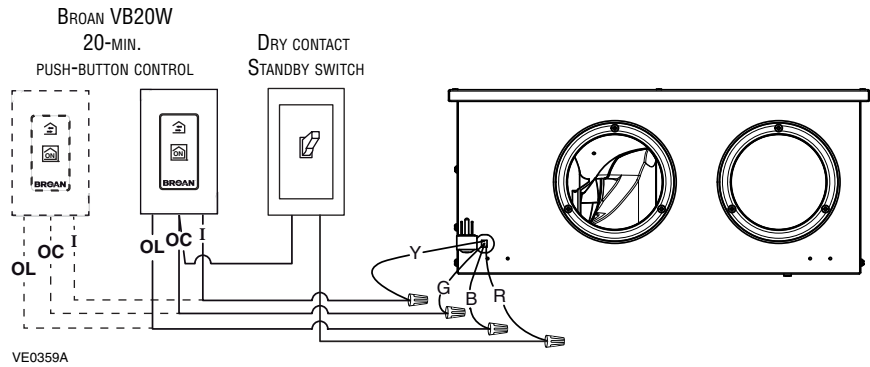
# 3 Installation (cont'd)

## 3.4 Connecting the Controls (energized by unit, low voltage) (cont'd)

### 3.4.3 Connecting unit to a Standby switch AND 1 or 2 Broan VB20W 20-minute push-button control(s)

1. Install the 20-minute push-button control in the bathroom(s) following instructions included with the control.
2. Install the Standby switch in a convenient place.
3. Connect both with the unit as follows.

Switch position	Unit mode
Dry contact opened	Unit will run in the selected mode Refer to 4.1
Dry contact closed	Unit is kept in Standby mode



R     RED  
Y     YELLOW  
B     BLACK  
G     GREEN

This connection allows the operation of VB20W push-button controls even if the dry contact standby switch is turned off.

# 4 Getting the Unit Started

## 4.1 Unit Settings

- Settings should be changed by the installer after all construction work is over in order to comply to local building codes. Should the user want to change the settings later on, it should be done by an authorised servicer.
- Unit should never run while the building is still under construction.
- All units are factory set to Standby Mode, with the RH Limit set to the N position.

### 4.1.1 Settings description

#### MODE

POSITION	MODE	DESCRIPTION
SB	Standby	Unit is off. Unit can be activated in high speed by the VB20W 20-minute push-button control, if applicable.
INT	Intermittent	Unit works 20 minutes per hour in low speed. Unit can be activated in high speed by the VB20W 20-minute push-button control, if applicable.
1	Low Speed	Unit runs at 65 cfm. Unit can be activated in high speed by the VB20W 20-minute push-button control, if applicable.
2	High Speed	Unit runs at 105 cfm. Unit can be activated in high speed by the VB20W 20-minute push-button control, if applicable.

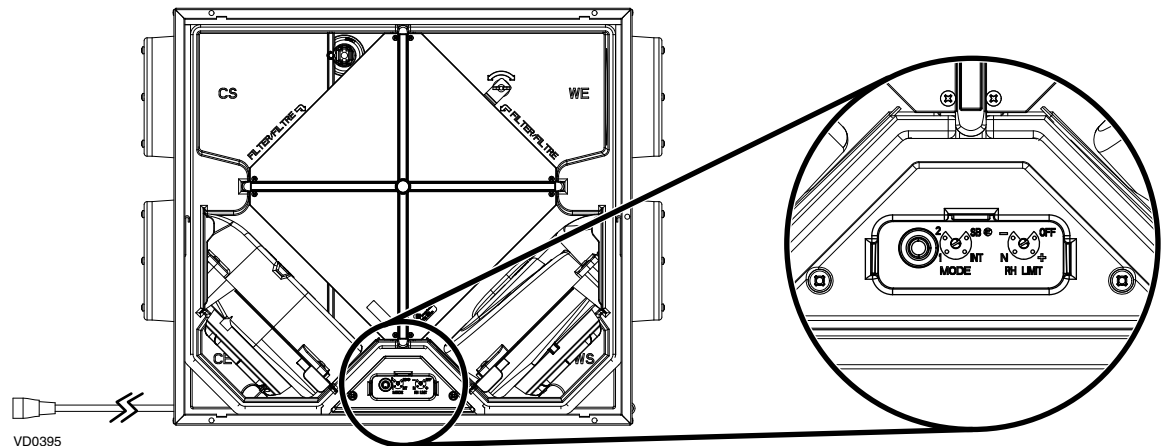
#### RH LIMIT

POSITION	DESCRIPTION
OFF	Relative humidity limit is deactivated.
+	Higher relative humidity limit.
N	Factory set relative humidity limit.
-	Lower relative humidity limit.

 Factory settings

### 4.1.2 Mode and RH Adjustable Controls Location

Remove the door to access the MODE and RH adjustable controls.



### 4.1.3 Choosing the right settings

#### Mode:

- Unit is factory set in Standby mode and should be set to the appropriate mode according to local building codes as well as the floor area of the residence, number of inhabitants and local weather conditions.

#### RH Limit:

- Unit is factory set to "N" and should normally remain in this setting unless local conditions require otherwise.

## 4.2 Prepare the Unit

- Make sure that the protective cardboard is removed from the door, if applicable.
- Verify damper orientation (see section 2.1.2).

## 4.3 Booting Sequence

When unit is powered on, it will go through a booting sequence during which it will test its components. The booting sequence will last less than a minute, after which the LED light will blink if there is a problem. If a Broan VB20W 20-minute push-button control is connected to the unit, it will also blink. The speed of the blinking indicates the nature of the issue:

- • • • Slow blinking: RH and temperature sensor problem
- • • • • • • • Fast blinking: motor problem

See the Troubleshooting section of this guide for detailed troubleshooting instructions.

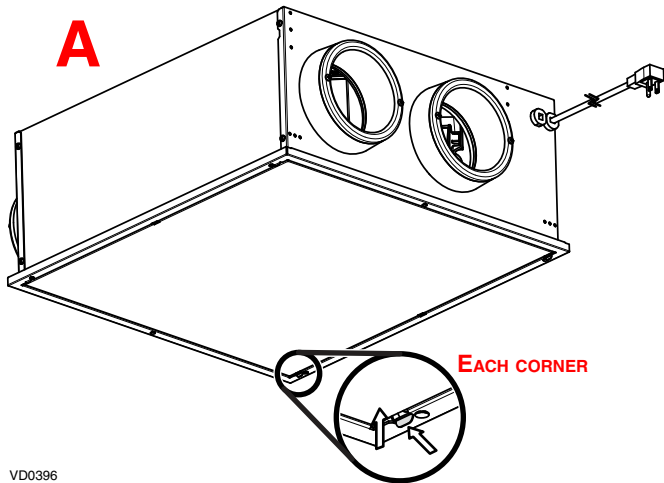
# 5 Maintenance

## ⚠ WARNING

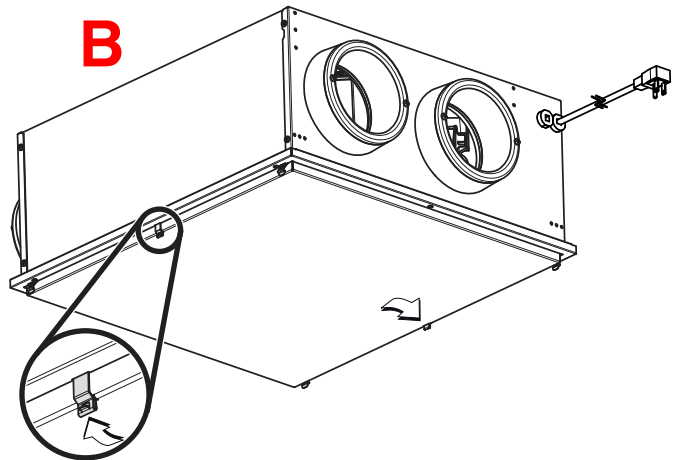
Risk of electric shock. Before performing any maintenance or servicing, always turn power off at service panel or disconnect the unit from the outlet. When cleaning the unit, it is recommended to wear safety glasses and gloves.

### 5.1 Quarterly Maintenance

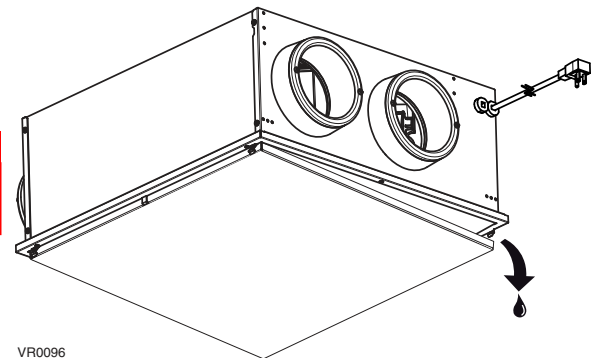
1. Disconnect unit or turn power off at service panel.
2. Open unit's door by following these steps and referring to illustration below:
  - A For each corner, simultaneously push on the door while pushing on the corner metal tab to disengage these tabs from the unit frame (see inset).
  - B Disengage the unit door by pushing out the center tabs, one after the other.



VD0396



**CAUTION**  
Be careful when opening the door; water may be present when outdoor temperature is cold.

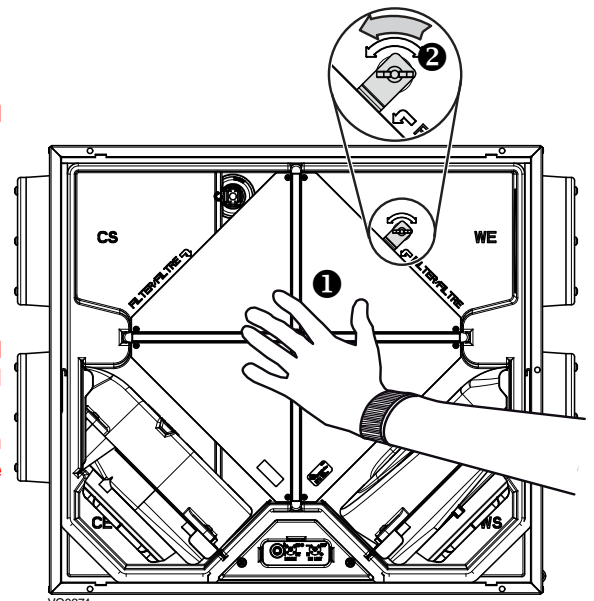


VR0096

3. While holding the core (1) if unit is installed in or under the ceiling, loosen the wing nut (2) and rotate the core retaining bracket (shaded part in illustration at right). Slide out the core with its filters.

**⚠ WARNING**  
If the unit is installed in or under the ceiling, always hold the core when rotating the core retaining bracket; failure to do so will cause the core to fall out.

4. Wash both core filters under lukewarm water with mild soap. Rinse and let dry completely before reinstalling on the core. Refer to the core label for proper location.
5. Slide the core with its cleaned filters in the unit. Refer to filter location indicators embossed inside the unit to position adequately the core. Use the core bracket and wing nut to lock the core in place.
6. Close the door and restore power.



VO0274

## 5 Maintenance (cont'd)

### 5.2 Annual Maintenance

Perform steps 1 to 4 of the quarterly maintenance, then continue with the following:

5. Using a vacuum cleaner and a soft brush attachment, remove the dust on the recovery core, the sensor and damper (damper must open freely).

#### CAUTION

**Do not soak the recovery core in water! The core can easily be damaged especially if it is soaked. The sensor can be damaged by detergent. Only use a dry cloth to clean the sensor.**

6. Slide the cleaned core with its cleaned filters in the unit. Refer to filter location indicators embossed inside the unit to position adequately the core. Use the core bracket and wing nut to lock the core in place.
7. Close the door and restore power.
8. Clean the exterior hoods.

## 6 Warranty

This Broan unit is a high quality product, built and packaged with care. Broan warrants to the original purchaser of its product, that such products will be free from defects for the period stated below, from date of original purchase.

For all Broan units, the warranty covers parts only against any operational defect. This is a 5-year warranty.

Subject to perform the core maintenance according to user guide recommendations, the energy recovery core (ERV) has a 5-year warranty.

If any defect should occur, we urge you to read the user guide carefully. If the problem persists, observe the following rules:

#### RULES TO FOLLOW

If the unit is defective, contact your ventilation contractor (see address on cover page).

The contractor will determine with you the reason for the defect, and if needed, do the replacement or repair.

If ever it is impossible to reach your ventilation contractor, call 1-877-862-7626 (in North America);

the personnel will be pleased to give you the phone number of a distributor or a service center near you.

#### REPLACEMENT PARTS AND REPAIR

In order to ensure your ventilation unit remains in good working condition, you must use Broan genuine replacement parts only.

Broan genuine replacement parts are specially designed for each unit and are manufactured to comply with all the applicable certification standards and maintain a high standard of safety. Any third party replacement part used may cause serious damage and drastically reduce the performance level of your unit, which will result in premature failing. Broan also recommends to contact a Broan certified service depot for all replacement parts and repair.

#### BILL OF PURCHASE

No replacement or repair covered by the warranty will be carried out unless the unit is accompanied by a copy of the original bill of purchase. Please retain your original.

#### MISCELLANEOUS COSTS

In each case, the labor costs for the removal of a defective part and/or installation of a compliant part will not be covered by Broan.

#### CONDITIONS AND LIMITATIONS

This unit is created for residential use only and must be used in a building as defined below:

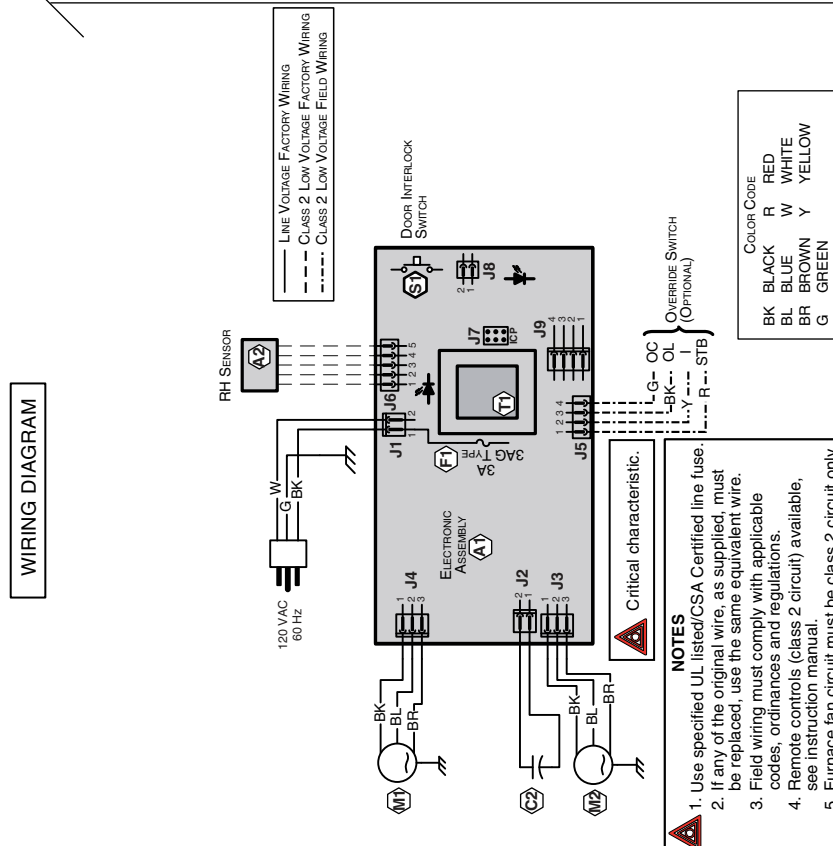
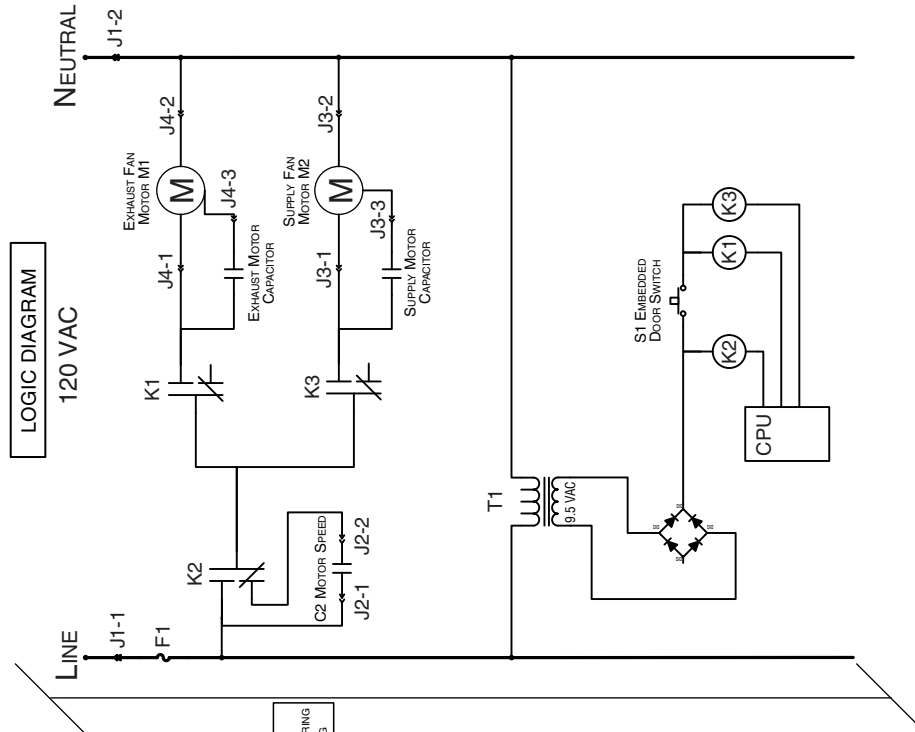
- Building:** All structures zoned and/or erected for the act, process or art of human or animal habitation and/or the storage or warehousing of goods.
- Residential use:** Dwelling, lodging, suite: Building, or part of a building, intended to act as either the domicile to one or several people which can include general sanitary, food consumption and rest facilities. Buildings of only one room or a group of rooms including those occupied by a tenant or owner; comprise the lodgings, the individual rooms of the motels, hotels, rooming/lodging houses, boarding/half-way/foster homes, dormitories, and suites, as well as the stores and the business establishments constituted by only one room in a dwelling.
- Commercial use:** Agricultural establishment, commercial establishment for assembly, care, or detention: Building or part of a building that does not contain a dwelling, situated on land dedicated to agriculture or farming and used primarily to shelter animals, or for the production, the storage or the treatment of agricultural or horticultural products or animal food. Building or part of a building, used for the display or retail of goods, professional or personal services, or commodities. Building, or part of a building used by persons gathering for civic activities, religious or political assembly, tourism, educational/vocational training, recreation or the consumption of food or drink. Building, or part of a building used to shelter persons of impaired physical or psychological states, persons requiring palliative care or medical treatments, or persons for reasons out of their control, cannot escape harm or threat of danger autonomously.
- Industrial use:** Building, or part of a building, used for the assembly, the manufacture, the creation, the treatment, the repair or the storage of products and combustible materials and that contain fuels that when ignited or exploded in sufficient quantity may constitute a risk of fire.

The above warranty applies to all cases where the damage is not a result of poor installation, improper use, mistreatment or negligence, acts of God, or any other circumstances beyond the control of Broan. Furthermore, Broan will not be held responsible for any bodily injury or damage to personal property or real estate, whether caused directly or indirectly by the Broan unit. This warranty supersedes all prior warranties.

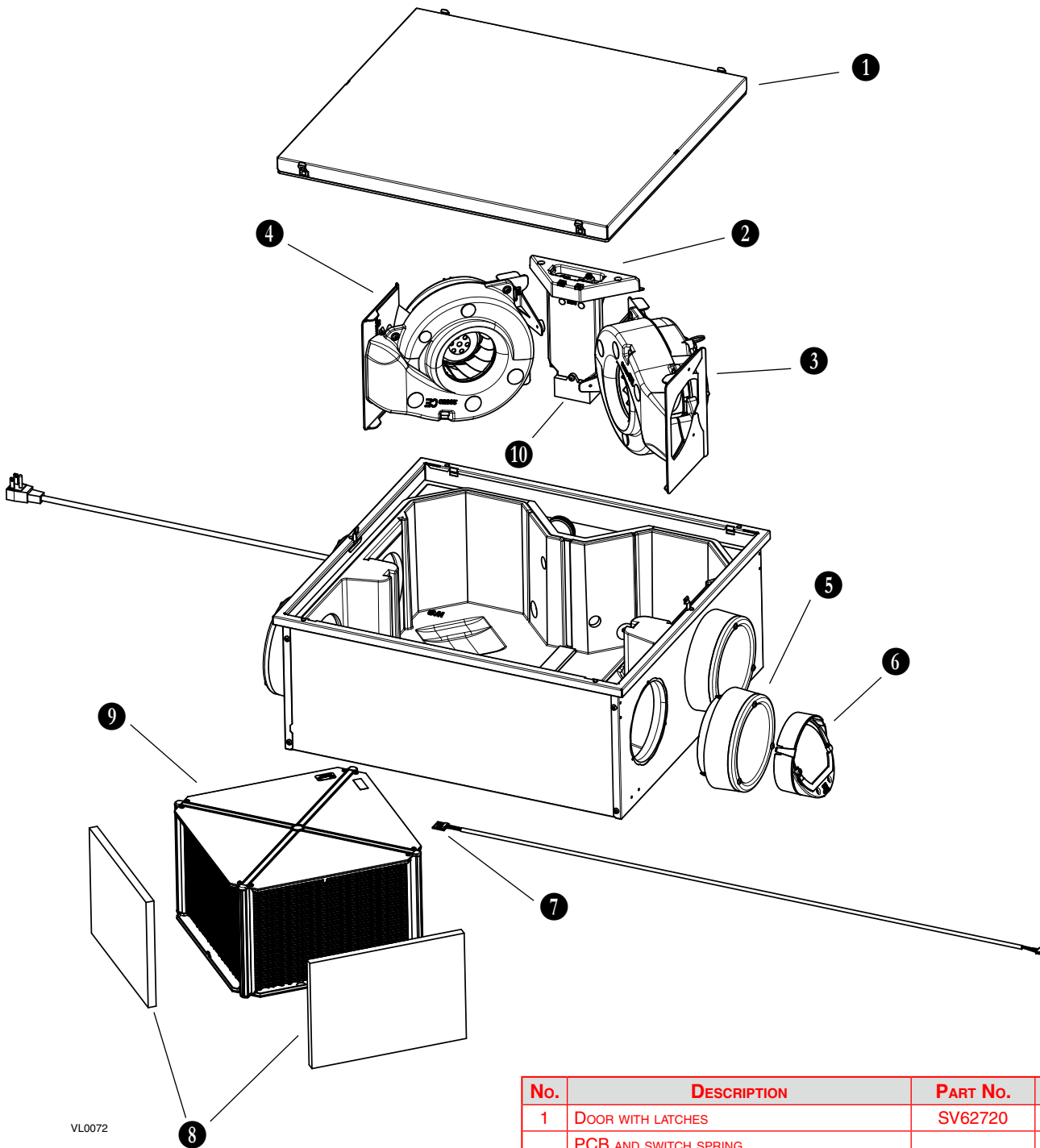
# 7 Wiring Diagram

## ⚠ WARNING

- Risk of electric shock. Before performing any maintenance or servicing, always disconnect the unit from its power source or turn power off at service panel.
- This product is equipped with an overload protection (fuse). A blown fuse indicates an overload or a short-circuit situation. If the fuse blows, unplug the product and check the polarity and voltage output from the outlet. Replace the fuse as per the servicing instructions (refer to wiring diagram for proper fuse rating) and verify the product. If the replaced fuse blows, it may be a short-circuit and the product must be discarded or returned to an authorized service center for examination and/or repair.



## 8 Service Parts



### REPLACEMENT PARTS AND REPAIR

In order to ensure your ventilation unit remains in good working condition, you must use Broan-NuTone LLC genuine replacement parts only. The Broan-NuTone LLC genuine replacement parts are specially designed for each unit and are manufactured to comply with all the applicable certification standards and maintain a high standard of safety. Any third party replacement part used may cause serious damage and drastically reduce the performance level of your unit, which will result in premature failing. Also, Broan-NuTone LLC recommends to contact a Broan-NuTone LLC certified service depot for all replacement parts and repairs.

No.	DESCRIPTION	PART No.	QTY.
1	DOOR WITH LATCHES	SV62720	1
2	PCB AND SWITCH SPRING (PLASTIC HOLDER NOT INCLUDED)	SV62721	1
3	BLOWER KIT CE	SV62724	1
4	BLOWER KIT WS	SV62723	1
5	6" ISOLATED METAL PORT KIT	SV62718	4
6	DAMPER SYSTEM KIT	SV62717	1
7	RH-TEMP SENSOR	SV62719	1
8	FILTER KIT (2)	SV21029	1
	OPTIONAL MERV 7 FILTERS (2)	21030	1
9	ERV CORE	SV61223	1
10	LOW SPEED CAPACITOR 18 $\mu$ F	SV62722	1
*	CORE LOCKING DEVICE KIT	SV61237	1
*	HARDWARE KIT	SV22079	1

\* NOT SHOWN.

# 9 Troubleshooting

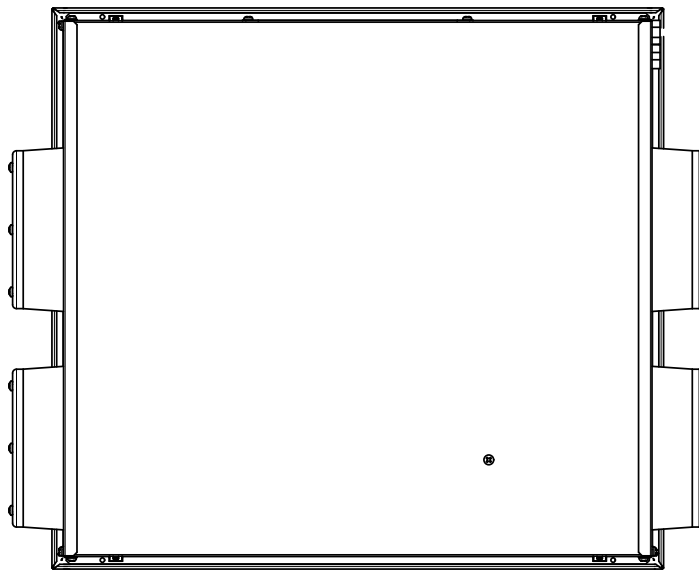
If the unit does not work properly, reset the unit by unplugging it for one minute and then replug it. If it still not working properly, refer to table below.

	PROBLEMS	POSSIBLE CAUSES	YOU SHOULD TRY THIS
1	Unit does not start.	<ul style="list-style-type: none"> <li>No power to power outlet.</li> <li>Unit door not properly closed.</li> <li>PCB plastic holder tabs unclipped.</li> </ul>	<ul style="list-style-type: none"> <li>Check the breaker in the distribution panel.</li> <li>Test the power outlet with another electrical device (e.g.: a lamp). If it does not work, call an electrician.</li> <li>Ensure the unit door is properly closed.</li> <li>Ensure the PCB plastic holder tabs are engaged in their slots and the PCB is well seated on its holder.</li> </ul>
2	LED blinks rapidly on push button and unit (motor error).	<ul style="list-style-type: none"> <li>Motor harness damaged or misconnected.</li> <li>Defective PCB, motor assembly or low speed capacitor.</li> </ul>	<ul style="list-style-type: none"> <li>Check both motor harness connections, ensure that connectors are connected to their appropriate places, the wires are not damaged and connector pins are not corroded.</li> <li>Open the door and push on door switch spring to reset the error and activate the unit self test during booting sequence. Both motors must start in high speed for 10 seconds, then go on low speed for 10 seconds. If both motors do not go on high speed; replace the PCB.</li> <li>If one motor does not start on high speed, inverse both motors connection and start again the self test; if the motor still not start on high speed, replace the motor assembly and if the problem is now on the other motor, replace the PCB.</li> <li>If both motors run in high but not in low speed, replace the low speed capacitor. If only one motor runs in low speed, replace the defective motor assembly.</li> </ul>
3	LED blinks slowly on push button and unit (RH and temperature sensor error).	<ul style="list-style-type: none"> <li>RH and temperature sensor misconnected.</li> <li>Defective RH and temperature sensor.</li> </ul>	<ul style="list-style-type: none"> <li>Check the sensor harness connection, ensure that connector is connected to its appropriate place, the wires are not damaged and connector pins are not corroded.</li> <li>Open the door and push on door switch spring to reset the error and activate the unit self test during booting sequence. Both motors must start in high speed for 10 seconds, then go on low speed for 10 seconds. After that, the unit will test its temperature and RH sensor. If the LED is still blinking slowly, replace the defective RH and temperature sensor</li> </ul>
4	The wall control does not work.	<ul style="list-style-type: none"> <li>Unit not compatible with control.</li> <li>The wires may be in reverse position.</li> <li>The wires may be misconnected.</li> <li>The wires may be broken.</li> <li>Defective wall control.</li> </ul>	<ul style="list-style-type: none"> <li>Check table on page 2 for control compatibility.</li> <li>Ensure that the color coded wires have been connected to their appropriate places.</li> <li>Ensure the wires are correctly connected.</li> <li>Inspect every wire and replace any damaged ones. If wires are hidden into walls, test the control using a shorter wire.</li> <li>Replace the wall control.</li> </ul>
5	Unit lets too much moisture entering the building during ventilation.	<ul style="list-style-type: none"> <li>Unit backdraft damper malfunction.</li> <li>Wrong setting of RH limit.</li> </ul>	<ul style="list-style-type: none"> <li>Check if the unit backdraft damper is closed when the unit is off, if not, verify the orientation of the damper assembly ("TOP" engraving on damper support must be on top), verify if magnet is in place in the damper support, verify if metal clip is in place on damper. Damper must open freely.</li> <li>Verify RH limit adjustment (factory setting is "N" for South and humid climate), adjust the RH limit to "-" position to reduce humidity limit of ventilation. Ventilation speed can be reduced by changing mode allowing less moisture to enter the building.</li> </ul>
6	Unit stops ventilating too often.	<ul style="list-style-type: none"> <li>Wrong setting of RH limit.</li> </ul>	<ul style="list-style-type: none"> <li>Verify RH limit adjustment (factory setting is "N" for South and humid climate), adjust the RH limit to "+" position to increase humidity limit of ventilation (allowing more ventilation time), or set the RH limit to "OFF" position to deactivate the sensor.</li> </ul>





## MANUAL DE INSTALACIÓN Y DEL USUARIO PARA BROAN ERVS100



VB0231

**⚠ SÓLO PARA USO RESIDENCIAL ⚠**

**LEA Y CONSERVE ESTAS INSTRUCCIONES  
INSTALADOR: ENTREGUE ESTE MANUAL AL CLIENTE**

Broan-NuTone LLC; Hartford, Wisconsin [www.broan.com](http://www.broan.com) 877-862-7626

REGISTRE SU PRODUCTO EN LÍNEA EN: [www.broan.com/register](http://www.broan.com/register)

Para obtener más información, visitar nuestro sitio [www.broan.com](http://www.broan.com)

# OBSERVACIONES SOBRE ESTE MANUAL

Con el fin de hacer hincapié en determinada información, en este manual se emplean los siguientes símbolos:

## ⚠ ADVERTENCIA

Se refiere a una instrucción que, de no seguirse, podría causar daños corporales e incluso la muerte.

## PRECAUCIÓN

Se refiere a una instrucción que, de no seguirse, podría dañar gravemente el aparato o sus componentes.

NOTA: indica una información complementaria que es necesaria para completar totalmente una instrucción.

# OBSERVACIONES SOBRE ESTOS APARATOS

## LÍMITES

Sólo para instalaciones residenciales. El trabajo de instalación y el cableado eléctrico han de ser efectuados por personal cualificado conforme a todos los códigos y normas aplicables, incluso los relativos a lugares con alto riesgo de incendio.

## ADVERTENCIA

⚠ **PARA REDUCIR EL RIESGO DE INCENDIO, CHOQUE ELÉCTRICO O HERIDAS CORPORALES, SIGA LAS INDICACIONES SIGUIENTES:**

1. Utilice el aparato únicamente de la manera prevista por el fabricante. Si tiene preguntas, póngase en contacto con el fabricante en la dirección o en el teléfono que aparecen en la garantía.
2. Antes de realizar tareas de mantenimiento o de limpiar el aparato desenchufe el cable de alimentación de la toma eléctrica o apáguelo en el tablero de servicio.
3. Este aparato no ha sido pensado para la combustión ni para el aire de dilución de aparatos que queman combustible.
4. Al cortar o taladrar en la pared o en el techo, procure no dañar el cableado eléctrico ni otras instalaciones ocultas..
5. No use el aparato con un dispositivo de control de velocidad de semiconductores diferente de los que aparecen en el cuadro siguiente:

CONTROLES AUXILIARES ALIMENTADOS POR LA UNIDAD
TEMPORIZADOR DE ENCENDIDO DURANTE 20 MINUTOS VB20W DE BROAN
INTERRUPTOR ESTÁNDAR DE ESPERA DE CONTACTO SECO

6. El aparato debe conectarse a tierra. El cable de alimentación lleva un enchufe con toma de tierra de 3 patillas para su seguridad personal. Debe enchufarse en una toma de corriente para tres patillas, conectada a tierra de acuerdo con el código eléctrico nacional y los códigos y ordenanzas locales. No retire la patilla de la toma de tierra. No utilice el aparato con un cable prolongador.
7. No instale el aparato en un espacio donde se cocina ni lo conecte directamente a otro aparato.
8. No lo use para evacuar materias ni vapores peligrosos o explosivos.
9. Esta unidad debe ser protegida contra la intemperie.
10. Esta unidad se ha diseñado para usar en zonas donde las temperaturas se sitúan entre 14°F y 135°F durante todo el año (véase el mapa de la página siguiente). Las temperaturas por encima de 135°F dañaran los componentes de la unidad y pueden causar lesiones personales.
11. Para la instalación, el mantenimiento o la limpieza del aparato se aconseja llevar lentes y guantes de seguridad.
12. Dado el peso del aparato, se aconseja dos personas para la instalación.
13. Cuando la reglamentación local aplicable sea más restrictiva en materia de instalación o certificación, dicha reglamentación prevalecerá sobre las exigencias de este manual y el instalador acepta atenerse a dicha reglamentación y asumir los gastos correspondientes.

## PRECAUCIÓN

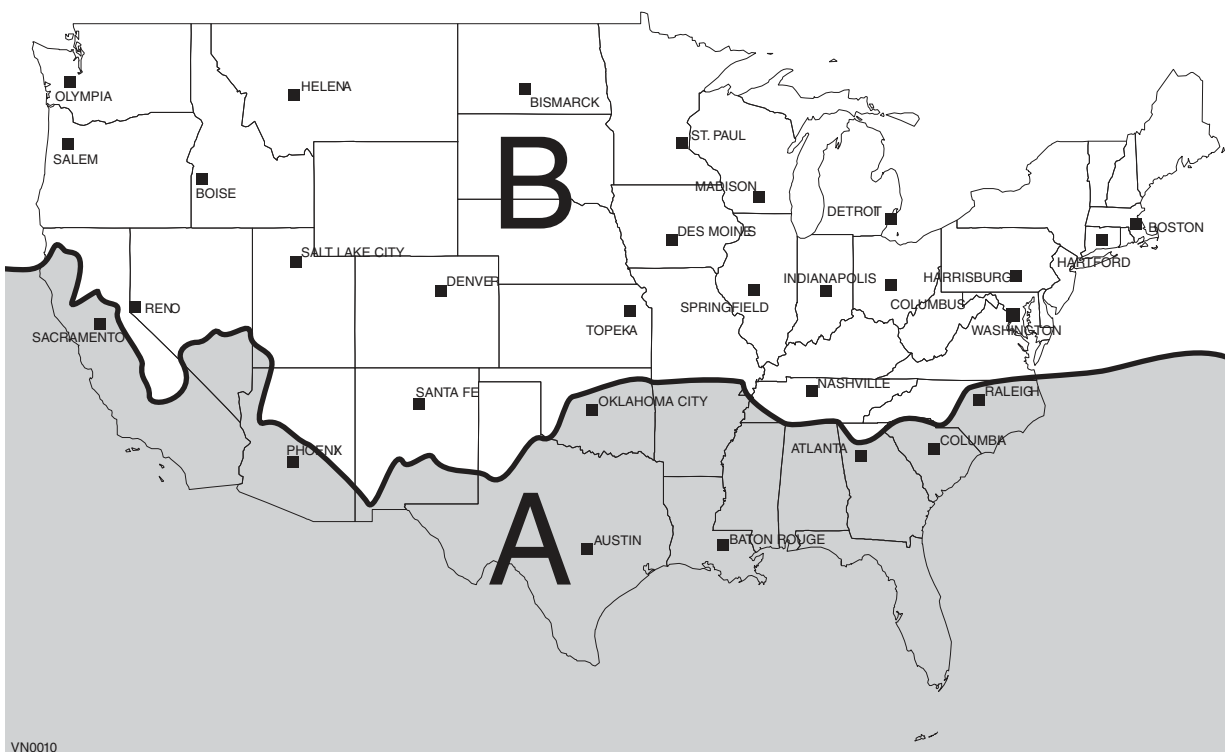
1. Para evitar que los filtros se obstruyan prematuramente y que los productos químicos perjudiquen el material, apague la unidad durante los trabajos de construcción o renovación.
2. Para mayor información sobre otras exigencias, lea la etiqueta de especificaciones que viene en el aparato.
3. Conecte los tubos de aire con el exterior. No tome ni evacue el aire en espacios situados entre paredes, en el techo o en un desván, en sótanos pequeños ni en cocheras.
4. Aparato para instalación residencial únicamente, de acuerdo con las exigencias de la norma 90B de la NFPA.
5. No pase ningún conducto de aire por encima o a menos de 2 pies de una caldera o de su cámara de alimentación, de un calentador o de otro aparato que genere calor. Si se ha de conectar un conducto a la cámara de retorno de la caldera, ha de hacerse lo más lejos posible de la conexión de la cámara con la caldera.
6. La instalación de los conductos debe hacerse de conformidad con todos los códigos locales y nacionales aplicables.
7. Al ausentarse de la vivienda durante un periodo largo (más de dos semanas), una persona responsable debería verificar regularmente si el aparato funciona correctamente..

# ÍNDICE

1 Zona de instalación segura .....	3
2 Preparación de la unidad.....	4
3 Instalación .....	4-10
3.1 Colocación de la unidad .....	4-6
3.2 Combinación con una AHU.....	7
3.3 Instalación de los registros, conductos y bocas exteriores .....	8-9
3.4 Conexión de los controles.....	9-10
4 Puesta en marcha de la unidad.....	11
4.1 Parámetros de la unidad.....	11
4.2 Preparación de la unidad .....	11
4.3 Secuencia de inicio.....	11
5 Mantenimiento .....	12-13
5.1 Mantenimiento trimestral.....	12
5.2 Mantenimiento anual.....	13
6 Garantía .....	13
7 Diagrama de cableados .....	14
8 Piezas de repuesto.....	15
9 Solución de problemas .....	16

## 1 Zona de instalación segura

Las unidades instaladas en la zona **B** debe preverse un espacio acondicionado.



VN0010

## 2 Preparación de la unidad

- Examine el exterior de la unidad para ver si hay daños debidos al envío.
- La unidad no debería funcionar nunca cuando el edificio esté en construcción.
- La unidad se envía con la puerta cubierta con un cartón para protegerla durante la construcción. Deje el cartón hasta que acaben los trabajos de pintura.

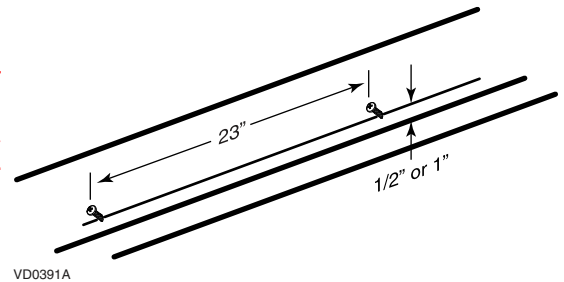
## 3 Instalación

### 3.1 Colocación de la unidad

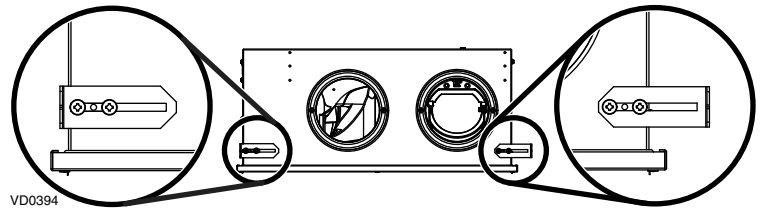
- La unidad puede instalarse entre vigas separadas por 24", sobre vigas separadas por 24" o bajo el techo, mediante soportes. Entre las piezas provistas hay un juego de 4 soportes así como los tornillos necesarios.
- Debe haber una toma eléctrica estándar de 3 patillas a menos de 28" de la unidad, conectada a un circuito exclusivo.
- Prevea un espacio libre de 12" para poder retirar la puerta, el núcleo y los filtros con fines de mantenimiento.

#### 3.1.1 Instalación en el techo (entre vigas separadas por 24")

1. Trace una línea a nivel en ambas vigas, a 1/2" o 1" de la base, para ubicar los soportes de la unidad (con 1/2", el perímetro de la puerta de la unidad descansará en el material del techo, mientras que con 1" se obtendrá una instalación a nivel; véanse las imágenes **A** y **B** en la página siguiente). En una de las vigas atornille a mitad, sobre la línea de nivel, dos tornillos n.º 8 x 1½" provistos, dejando un espacio de 23" entre ellos.

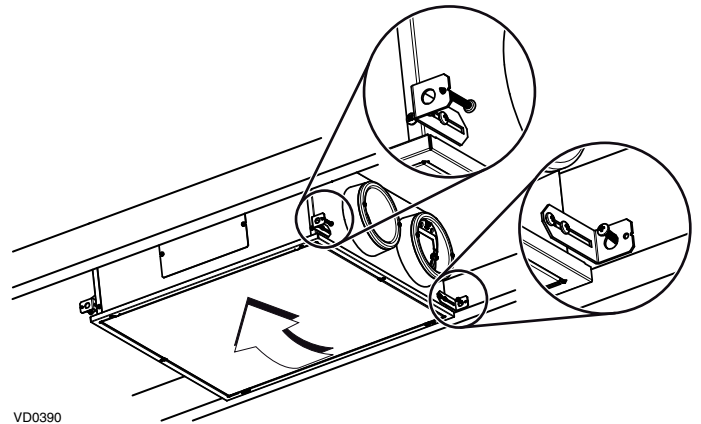


2. Coloque los 4 soportes en la unidad, como puede verse en la ilustración de la derecha; utilice para ello dos tornillos n.º 10 x 5/8" por soporte (provistos).  
**CONSEJO:** Atornille a mitad los tornillos para permitir ajustes entre las vigas; observe los detalles de la imagen de la derecha: la de la izquierda muestra la distancia mínima y la de la derecha la distancia máxima.



3. Cuelgue el lado más ligero de la unidad en los tornillos instalados en la viga utilizando los orificios más grandes de los soportes.

4. Levante el otro lado de la unidad y sujételo a la otra viga con un tornillo n.º 8 x 1½" por soporte, introduciéndolo en el orificio más pequeño de los soportes.

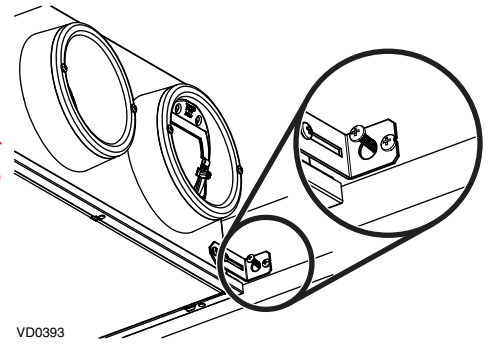


# 3 Instalación (cont.)

## 3.1 Colocación de la unidad (cont.)

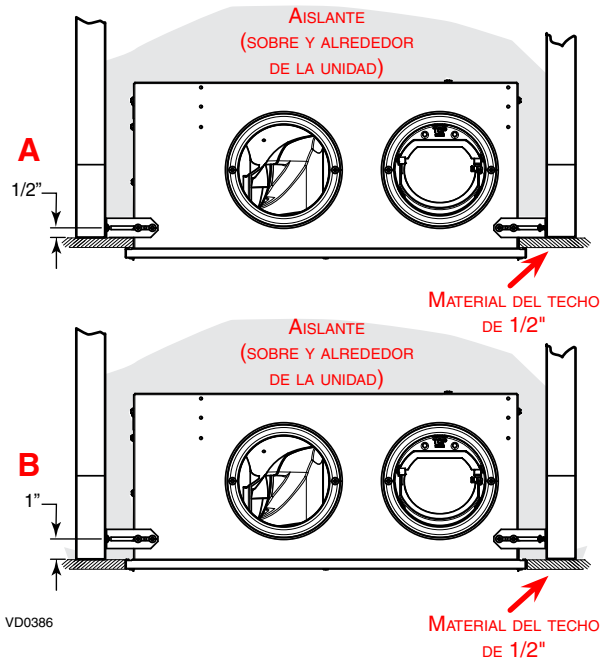
### 3.1.1 Instalación en el techo (entre vigas separadas por 24") (cont.)

5. Sujete los primeros soportes instalados en la viga con un tornillo n.º 8 x 1½" por soporte, introduciéndolo por el orificio más pequeño y apriete completamente los tornillos de los soportes en la unidad.



**PRECAUCIÓN**  
Si la unidad se instala en el desván, debe extenderse aislante sobre ella.

6. Extienda el aislante sobre la unidad y alrededor (véase la imagen B a la derecha).

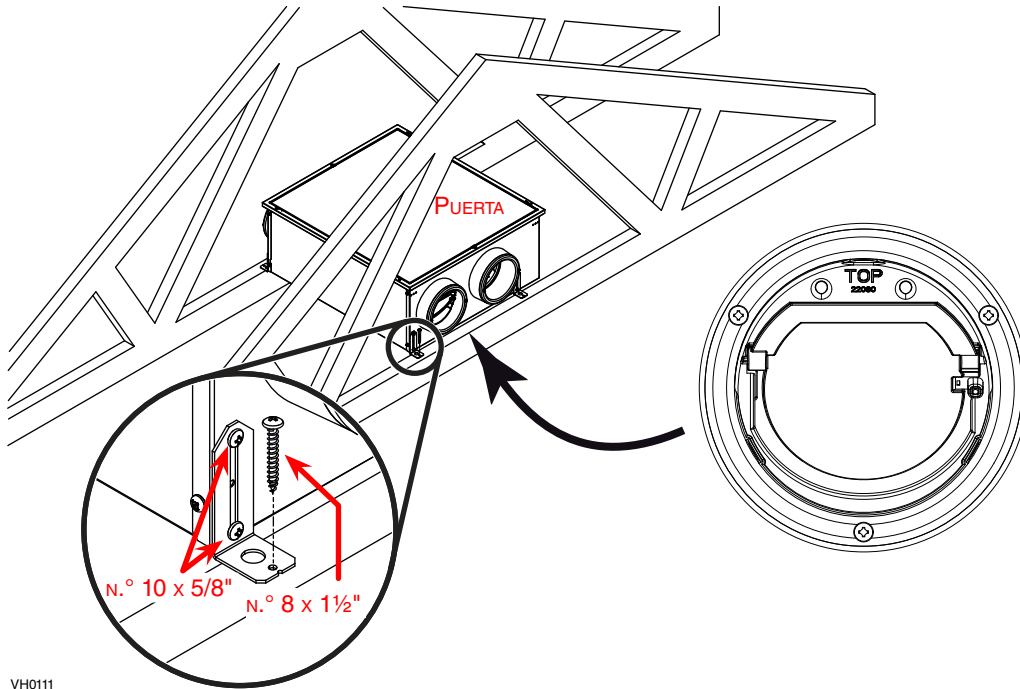


# 3 Instalación (cont.)

## 3.1 Colocación de la unidad (cont.)

### 3.1.2 Instalación en el desván

1. Gire la clapeta de retención 180° (no se necesita herramienta) de forma que se ponga en posición cerrada y la palabra "TOP" gravada en la clapeta esté arriba una vez que la unidad esté colocada.
2. Coloque los soportes en la unidad, como puede verse en la ilustración de abajo; utilice para ello dos tornillos n.º 10 x 5/8" por soporte (provistos).
3. Sujete la unidad a los soportes por medio de un tornillo no 8 x 1½" por soporte (provisto).

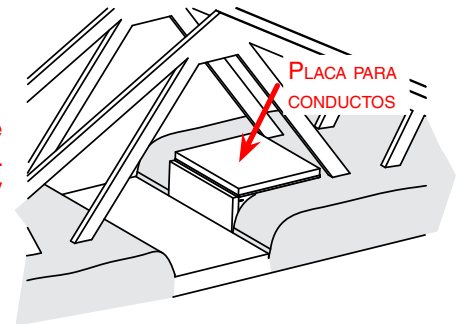


VH0111

### PRECAUCIÓN

Instale esta unidad en un desván ventilado donde el techo este dotado de una barrera radiante. Si el desván no es ventilado y no hay una barrera radiante, debe añadirse aislante sobre la unidad.

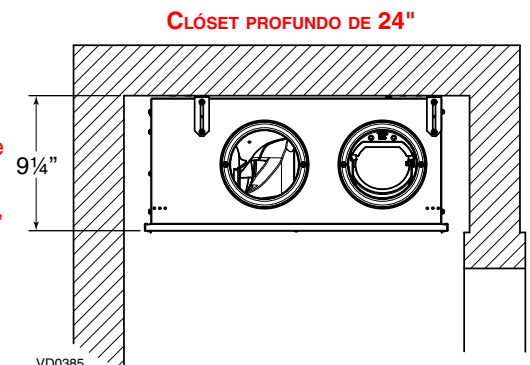
Extienda el aislante alrededor la unidad, después utilice placa para conductos de aire para cubrir la puerta de la unidad, para conservar el acceso al interior de la unidad. No olvide de prevea un espacio libre de 12" para poder retirar la puerta, el núcleo y los filtros con fines de mantenimiento.



VH0116

### 3.1.3 Instalación debajo del techo (en una zona de estar)

1. Coloque los soportes en la unidad, como puede verse en la ilustración de arriba; utilice para ello dos tornillos n.º 10 x 5/8" por soporte (provistos).
2. Sujete la unidad al techo con dos tornillos n.º 8 x 1½" por soporte (provistos), procurando no sujetarla sólo al panel mural.



VD0385

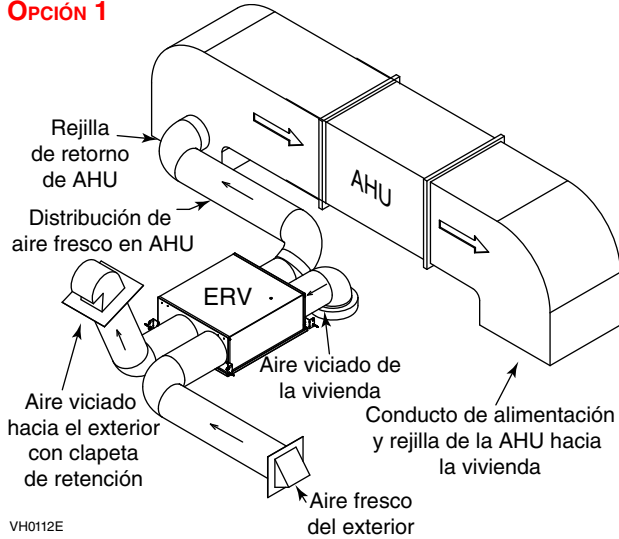
# 3 Instalación (cont.)

## 3.2 Combinación con una AHU

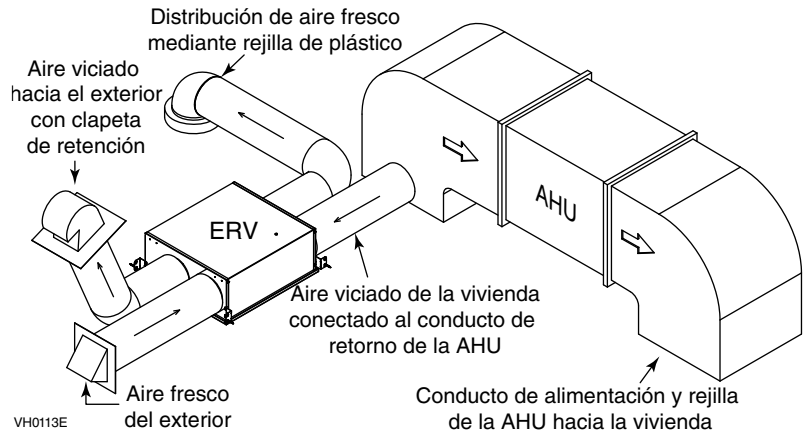
### 3.2.1 Configuraciones aconsejadas

Cuando la distribución del aire fresco desde el ventilador de recuperación de energía (ERV, en sus siglas en inglés) esté conectada al retorno de una unidad del armario de tratamiento de aire (AHU, en sus siglas en inglés) (como en la imagen de abajo a la izquierda), la conexión debería hacerse **lo más cerca posible de una rejilla de retorno de AHU** para que la clapeta de aire fresco integrada funcione debidamente.

#### Opción 1



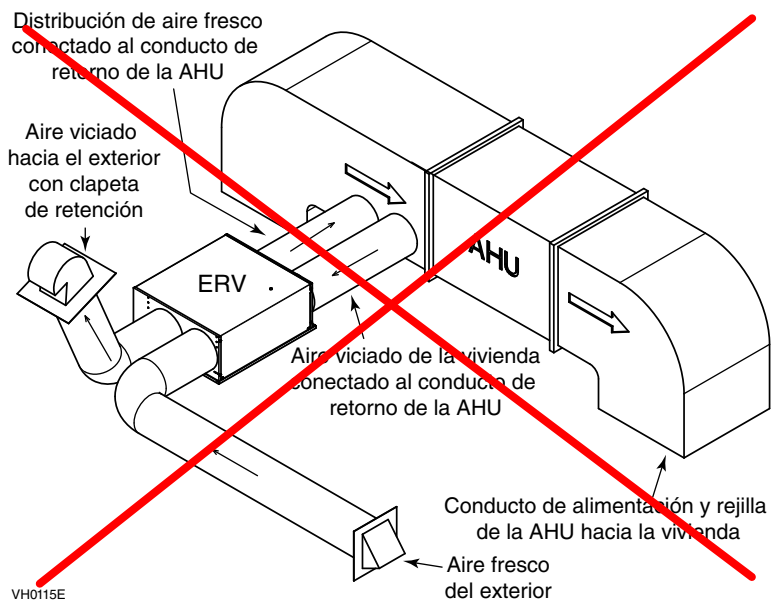
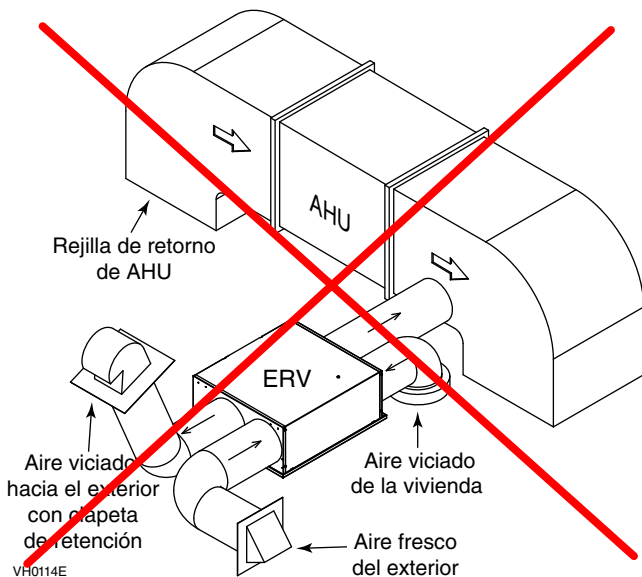
#### Opción 2



### 3.2.2 Configuraciones prohibidas

La distribución de aire fresco del ERV en el conducto de distribución del AHU (como en la imagen de abajo a la izquierda) puede causar problemas de condensación durante la estación fría y debe evitarse.

La distribución de aire fresco y la salida del aire viciado del ERV conectado en el conducto de retorno del AHU (como en la imagen de abajo a la derecha) es prohibida.



## 3 Instalación (cont.)

### 3.3 Instalación de los registros, conductos y bocas exteriores

#### 3.3.1 Registros

#### ⚠ ADVERTENCIA

**No instale nunca un registro de salida de aire viciado en una habitación cerrada en la que funciona un dispositivo de combustión, tal como una caldera de gas, un calentador de agua a base de gas o una chimenea.**

Consulte los códigos de construcción aplicables para planificar dónde debería instalar los registros de salida de aire viciado y los registros de distribución de aire fresco. A continuación se presentan algunos consejos generales.

#### Registros de salida de aire viciado:

- Instale los registros de salida de aire viciado donde se produzcan contaminantes: cuarto de baño (hasta 2), cocina, sala de estar, etc. Coloque los registros lo más lejos posible de la escalera y de forma que el aire circule en todos los espacios de estar de la vivienda.
- Si se instala un registro en la cocina, debe colocarse al menos a 4 pies de distancia de los electrodomésticos para cocinar.
- Instale los registros en una pared interior, de 6 a 12 pulgadas por debajo del techo Q en el techo.

#### Registros de distribución de aire fresco (Opción 2 en 3.2.1):

- Instale los registros de distribución de aire fresco en cuartos de baño, comedores, salas de estar y sótano, si procede.
- Recuerde que los registros de aire fresco deben colocarse lo más lejos posible de los registros de aire viciado del ERV.
- Instale los registros en una pared interior, de 6 a 12 pulgadas por debajo del techo Q en el techo.
- Si hay que instalar un registro en el suelo, dirija la corriente de aire hacia la parte superior de la pared

#### 3.3.2 Conductos

#### ⚠ ADVERTENCIA

**Para conectar los conductos, emplee siempre herramientas y materiales aprobados. Cumpla con todas las leyes y normativa de seguridad correspondientes. Consulte el código de construcción local.**

#### PRECAUCIÓN

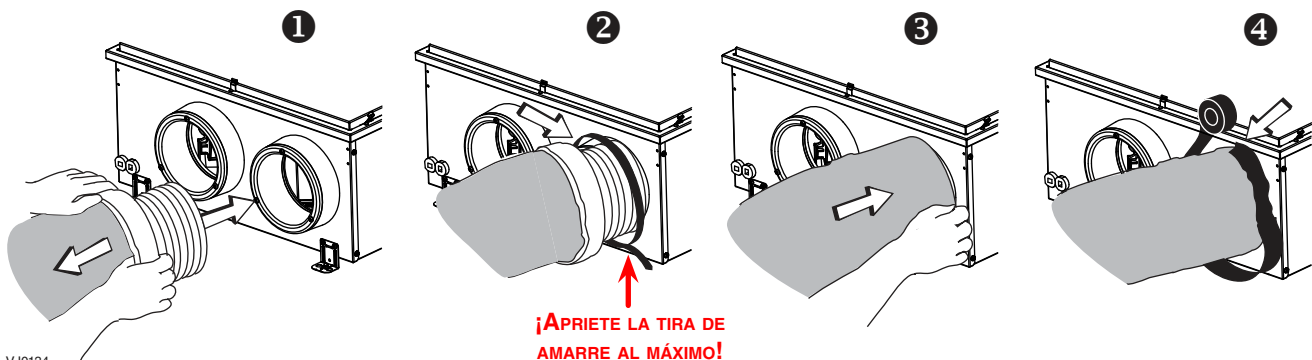
**Si los conductos han de pasar a través de un espacio no acondicionado (p. ej., un desván), use siempre conductos aislados.**

- Se deberían conectar todos los puertos de la unidad a conductos de 6", pero también se pueden conectar a conductos mayores utilizando para ello los cambios de sección apropiados.
- Si hay que conectar conductos rígidos a la unidad, use un trozo corto de conducto flexible (unas 6") para evitar que se transmitan vibraciones. Use una tira de amarre o cinta adhesiva para conductos para conectar el conducto flexible al puerto y al conducto rígido.
- No use nunca tornillos para conectar conductos rígidos a los puertos.

#### Conexión de conductos flexibles aislados a los puertos:

1. Retire el aislante para que quede a la vista el conducto flexible.
2. Sujete el conducto flexible al puerto con una tira de amarre; verifique que la tira de amarre esté apretada al máximo.
3. Coloque el aislante sobre la junta y la película impermeable al vapor (parte sombreada de las ilustraciones) sobre el aislante. Procure que la película impermeable al vapor no se rasgue al manipularla para evitar la condensación dentro de los conductos.
4. Ponga cinta adhesiva metálica para conductos sobre la junta para lograr un cierre hermético. Evite comprimir el aislante al colocar la cinta adhesiva metálica alrededor de la junta. El aislante comprimido pierde su valor R y produce goteo de agua en climas fríos debido a la condensación en la superficie exterior del conducto.

NOTA: Si hay que usar masilla de impermeabilización sobre la cinta adhesiva metálica para conductos como capa de impermeabilización suplementaria, utilice masilla a base de agua para que el material sea compatible con el puerto.



VJ0134



# 3 Instalación (cont.)

## 3.3 3.3 Instalación de los registros, conductos y bocas exteriores (cont.)

### 3.3.3 Bocas exteriores

Consulte los códigos de construcción aplicables para planificar dónde debería instalar la boca de salida de aire viciado y la boca de distribución de aire fresco. A continuación se presentan algunos consejos generales.

#### ⚠ ADVERTENCIA

Compruebe que la boca de admisión de aire esté al menos a 6 pies de distancia de cualquiera de los siguientes elementos:

- Salida de aire de una secadora, abertura de caldera de alto rendimiento, abertura de aspirador central
- Abertura de contador de gas, parrilla o barbacoa de gas
- Cualquier abertura de una fuente de combustión
- Cubo de basura u otra fuente de contaminación

- Debe haber una distancia mínima de 6' entre las bocas exteriores para evitar la contaminación cruzada.
- Las bocas exteriores deben estar al menos a 18" por encima de suelo.
- La boca de salida de aire debe disponer de una clapeta de retención..

## 3.4 Conexión de los controles (alimentados por la unidad, baja tensión)

- Los controles no están incluidos en esta unidad.
- La unidad puede conectarse a un interruptor de espera de contacto seco, si se desea. En tal caso, la unidad permanece encendida, pero se pone en modo de espera cuando se activa el interruptor.
- Este ventilador de recuperación de energía (ERV) puede sustituir hasta 2 ventiladores de baño. Cuando sea el caso, la unidad debería conectarse a un control de anulación de 20 minutos en cada cuarto de baño.

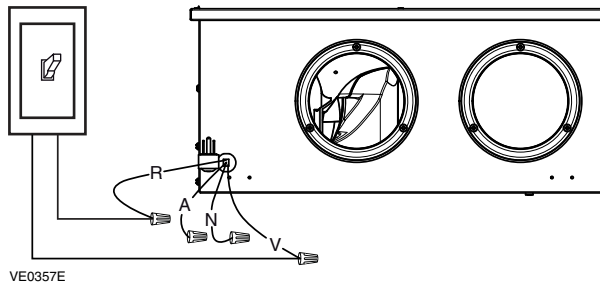
### 3.4.1 Conexión de la unidad a un interruptor de espera

Instale el interruptor de espera de contacto seco en un lugar adecuado y conéctelo a la unidad de la siguiente manera.

#### PRECAUCIÓN

Todos los hilos no usados deben llevar capuchón.

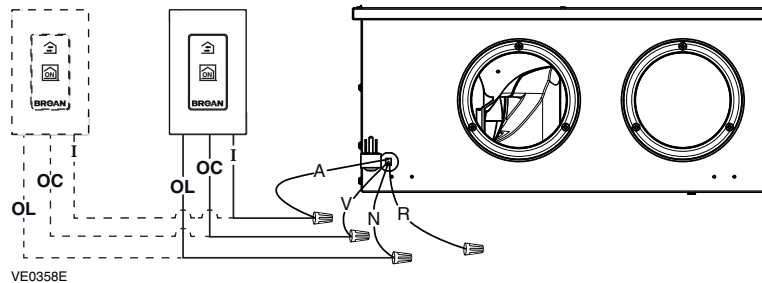
Posición del interruptor	Modo de la unidad
Contacto seco abierto	La unidad funciona en el modo elegido Véase punto 4.1
Contacto seco cerrado	La unidad está mantenida en el modo de espera



R ROJO  
A AMARILLO  
N NEGRO  
V VERDE

### 3.4.2 Conexión de la unidad con 1 o 2 controles de 20 minutos VB20W de Broan

1. Instale el control de 20 minutos en el cuarto o cuartos de baño de acuerdo con las instrucciones que vengan con el control.
2. Conéctelo a la unidad de la siguiente manera.



R ROJO  
A AMARILLO  
N NEGRO  
V VERDE

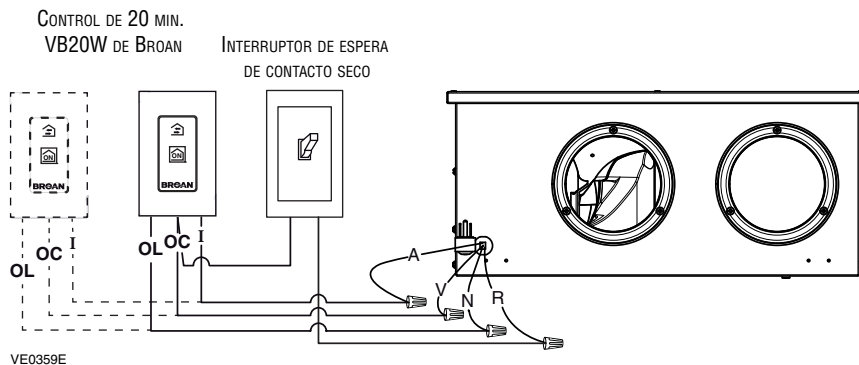
## 3 Instalación (cont.)

### 3.4 Conexión de los controles (alimentados por la unidad, baja tensión) (cont.)

#### 3.4.3 Conexión de la unidad con un interruptor de espera Y con 1 o 2 controles de 20 minutos VB20W de Broan

1. Instale el control de 20 minutos en el cuarto o cuartos de baño de acuerdo con las instrucciones que vengan con el control
2. Instale el interruptor de espera en un lugar conveniente.
3. Conecte ambos a la unidad de la siguiente manera.

Posición del interruptor	Modo de la unidad
Contacto seco abierto	La unidad funciona en el modo elegido Véase punto 4.1
Contacto seco cerrado	La unidad está mantenida en el modo de espera



R ROJO  
A AMARILLO  
N NEGRO  
V VERDE

Esta conexión permite que los controles VB20W funcionen incluso si el interruptor de espera de contacto seco está apagado.

# 4 Puesta en marcha de la unidad

## 4.1 Parámetros de la unidad


- El instalador debería cambiar los parámetros una vez terminados los trabajos de construcción con el fin de cumplir con los códigos de construcción locales. Si el usuario desea cambiar los parámetros posteriormente, debería recurrir a un técnico autorizado.
- La unidad no debería funcionar nunca cuando el edificio esté en construcción.
- Todas las unidades vienen configuradas de fábrica en el modo espera y el límite de humedad relativa (RH) se ha colocado en la posición N.

### 4.1.1 Descripción de los parámetros MODO (MODE)

POSICIÓN	Modo	DESCRIPCIÓN
SB	Espera	La unidad está apagada. Se puede activar la unidad en alta velocidad con el control de 20 minutos VB20W, si procede.
INT	Intermitente	Unit works 20 minutes per hour in low speed. Se puede activar la unidad en alta velocidad con el control de 20 minutos VB20W, si procede.
1	Baja velocidad	La unidad funciona a 65 pi <sup>3</sup> /min. Se puede activar la unidad en alta velocidad con el control de 20 minutos VB20W, si procede.
2	Alta velocidad	La unidad funciona a 105 pi <sup>3</sup> /min. Se puede activar la unidad en alta velocidad con el control de 20 minutos VB20W, si procede.

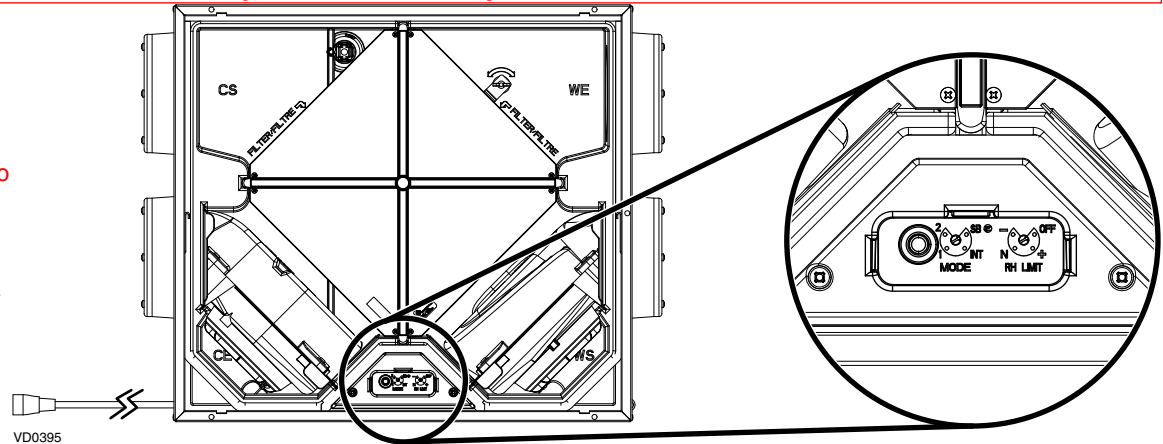
### LÍMITE RH (RH LIMIT)

POSICIÓN	DESCRIPCIÓN
OFF	El límite de humedad relativa está desactivado.
+	Límite de humedad relativa más alto.
N	Límite de humedad relativa establecido en fábrica.
-	Límite de humedad relativa más bajo.

 Parámetros de fábrica

### 4.1.2 Ubicación de los controles ajustables de modo y humedad relativa

Retire la puerta para tener acceso a los controles ajustables de modo (MODE) y humedad relativa (RH).



### 4.1.3 Elección de los parámetros adecuados

#### Modo:

- La unidad viene configurada de fábrica en el modo espera (SB) y debería reconfigurarse en el modo apropiado de acuerdo con los códigos de construcción locales, la superficie de la vivienda, el número de personas que vivan en ella y las condiciones meteorológicas locales.

#### Límite RH:

- La unidad viene configurada de fábrica en la posición "N" y normalmente debería permanecer en esta posición a menos que las condiciones locales requieran algo diferente.

## 4.2 Preparación de la unidad

- Retire el cartón protector de la puerta, si procede.
- Verifique la orientación de la clapeta (véase la sección 2.1.2)..

## 4.3 Secuencia de inicio

Cuando la unidad reciba corriente eléctrica, pasará por una secuencia de inicio en la que se probarán sus componentes. La secuencia de inicio dura menos de un minuto y, tras ella, la luz LED parpadeará si hay algún problema. Si hay un control de 20 minutos VB20W de Broan conectado a la unidad, también parpadeará. La velocidad del parpadeo indica el tipo de problema:

- • • • Parpadeo lento: Problema del sensor de humedad relativa y temperatura
- • • • • • • Parpadeo rápido: problema de motor

Véase la sección Solución de problemas de esta guía para obtener instrucciones detalladas para solucionar el problema.

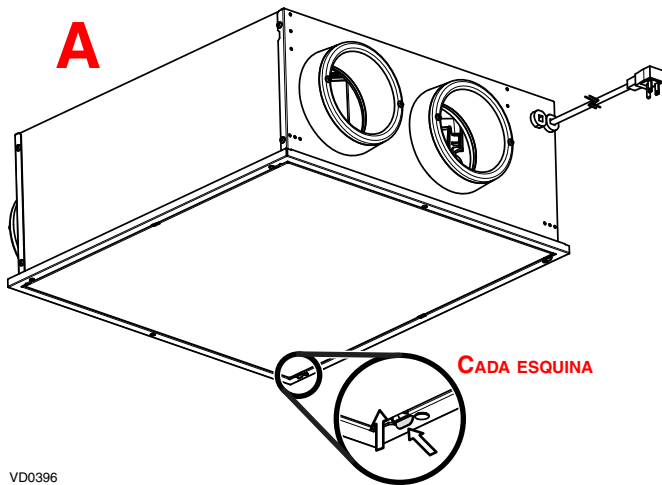
# 5 Mantenimiento

## ⚠ ADVERTENCIA

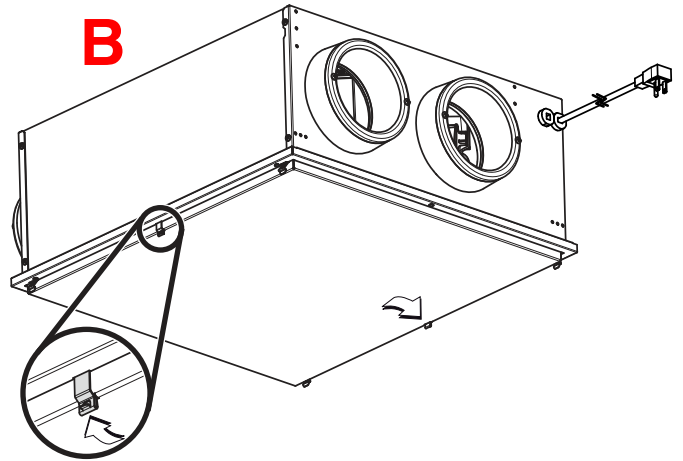
Riesgo de descarga eléctrica. Antes de cualquier trabajo de reparación o mantenimiento, corte la corriente siempre en el tablero eléctrico o desenchufe la unidad de la toma de corriente. Al limpiar la unidad, se aconseja llevar lentes y guantes de seguridad.

### 5.1 Mantenimiento trimestral

1. Desenchufe la unidad o corte la corriente en el tablero eléctrico..
2. Abra la puerta de la unidad siguiendo estas instrucciones y consultando la siguiente ilustración:  
**A** En cada esquina, presione simultáneamente en la puerta y en la pestaña metálica de la esquina para soltar la pestaña del bastidor de la unidad (véase el detalle de la imagen).  
**B** Suelte la puerta de la unidad liberando las pestañas del centro, una tras otra.

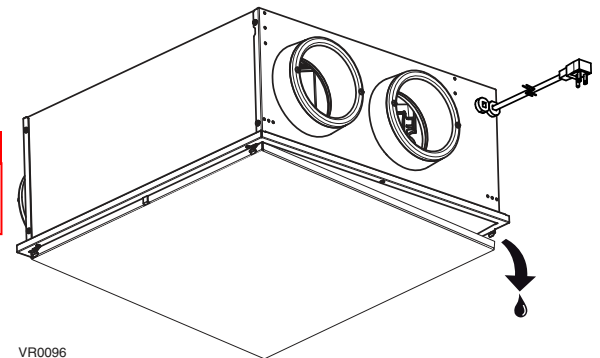


VD0396



## PRECAUCIÓN

Tenga cuidado al abrir la puerta; puede haber agua cuando la temperatura exterior es fría.



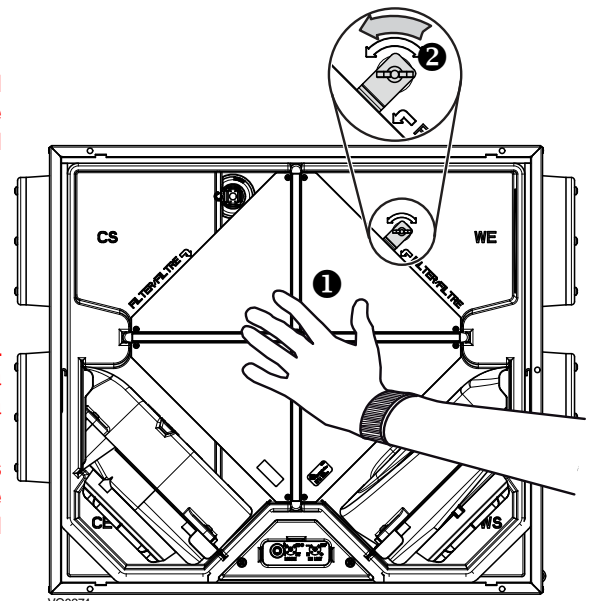
VR0096

3. Si la unidad está instalada en el techo o debajo del techo, sujete el núcleo (1), afloje la tuerca de aletas (2) y gire el soporte que retiene el núcleo (parte sombreada de la ilustración de la derecha). Saque el núcleo con sus filtros.

## ⚠ ADVERTENCIA

Si la unidad está instalada en el techo o debajo del techo, sujete siempre el núcleo al girar el soporte que retiene el núcleo; de no hacerlo, el núcleo podría caerse.

4. Lave ambos filtros del núcleo con agua tibia y un jabón suave. Enjuáguelos y deje que sequen completamente antes de volver a instalarlos en el núcleo. Consulte la etiqueta del núcleo para colocarla correctamente.
5. Introduzca el núcleo y los filtros limpios en la unidad. Consulte los indicadores de posición de los filtros —que vienen en relieve dentro de la unidad— para colocar correctamente el núcleo. Use el soporte del núcleo y la tuerca de aletas para bloquear en su sitio el núcleo.
6. Cierre la puerta y vuelva a dar la corriente.



VO0274

## 5 Mantenimiento (cont.)

### 5.2 Mantenimiento anual

Siga las etapas 1 a 4 del mantenimiento trimestral y, a continuación, haga lo siguiente:

5. Use un aspirador dotado de un cepillo suave para retirar el polvo del núcleo de recuperación, el sensor y la clapeta (la clapeta debe abrirse sin dificultades).

#### PRECAUCIÓN

**No moje el núcleo de recuperación. El núcleo de recuperación puede dañarse fácilmente, sobre todo si se moja. El detergente puede dañar el sensor. Para limpiar el sensor, use sólo un trapo seco.**

6. Introduzca el núcleo limpio y los filtros limpios en la unidad. Consulte los indicadores de posición de los filtros —que vienen en relieve dentro de la unidad— para colocar correctamente el núcleo. Use el soporte del núcleo y la tuerca de aletas para bloquear en su sitio el núcleo.
7. Cierre la puerta y vuelva a dar la corriente.
8. Limpie las bocas exteriores.

## 6 Garantía

Este aparato de ventilación de Broan es un producto de gran calidad, fabricado y empacado con cuidado.

Broan garantiza al comprador original de sus productos que dichos productos están libres de defectos por el periodo de tiempo indicado más adelante, a partir de la fecha de compra original. La garantía de todos los aparatos Broan cubre las piezas únicamente contra cualquier defecto que pudiera perjudicar su funcionamiento. Su duración es de cinco (5) años. A reserva de que se efectúe el mantenimiento del núcleo, tal y como se indica en la guía del usuario, el núcleo de recuperación de energía (ERV) tiene una garantía de cinco (5) años. Si el aparato funcionara de manera inadecuada, consulte la guía del usuario.

Si el problema continúa, siga estos pasos:

#### PROCEDIMIENTO A SEGUIR

Si el aparato estuviera defectuoso, sírvase comunicar inmediatamente con su empresa de ventilación (véase la dirección en la cubierta de este manual). La empresa determinará el origen del mal funcionamiento del aparato y lo sustituirá o reparará, de ser necesario.

Si le resultara imposible ponerse en comunicación con la empresa, telefónee (en América del Norte) al 1-877-862-7626 y nuestro personal le indicará con mucho gusto el teléfono del distribuidor o del centro de servicio más próximo.

#### PIEZAS DE RECAMBIO Y SERVICIO

Para que el aparato funcione bien debe usar siempre piezas originales de Broan. Estas piezas se han diseñado especialmente para cumplir con todas las normas de certificación de seguridad aplicables. El uso de piezas diferentes podría poner en peligro la seguridad del aparato, ocasionar una reducción importante de su funcionamiento y producir una falla prematura.

Broan también aconseja consultar siempre con una empresa de servicios competente reconocida por Broan para las piezas de recambio y para solicitar un servicio.

#### FACTURA

La garantía no cubrirá ninguna reparación ni sustitución sin la factura original de compra. Le rogamos, pues, que la conserve debidamente.

#### CONDICIONES Y LÍMITES

Este aparato es pensado únicamente para uso residencial y han de utilizarse en un edificio tal y como se describe a continuación:

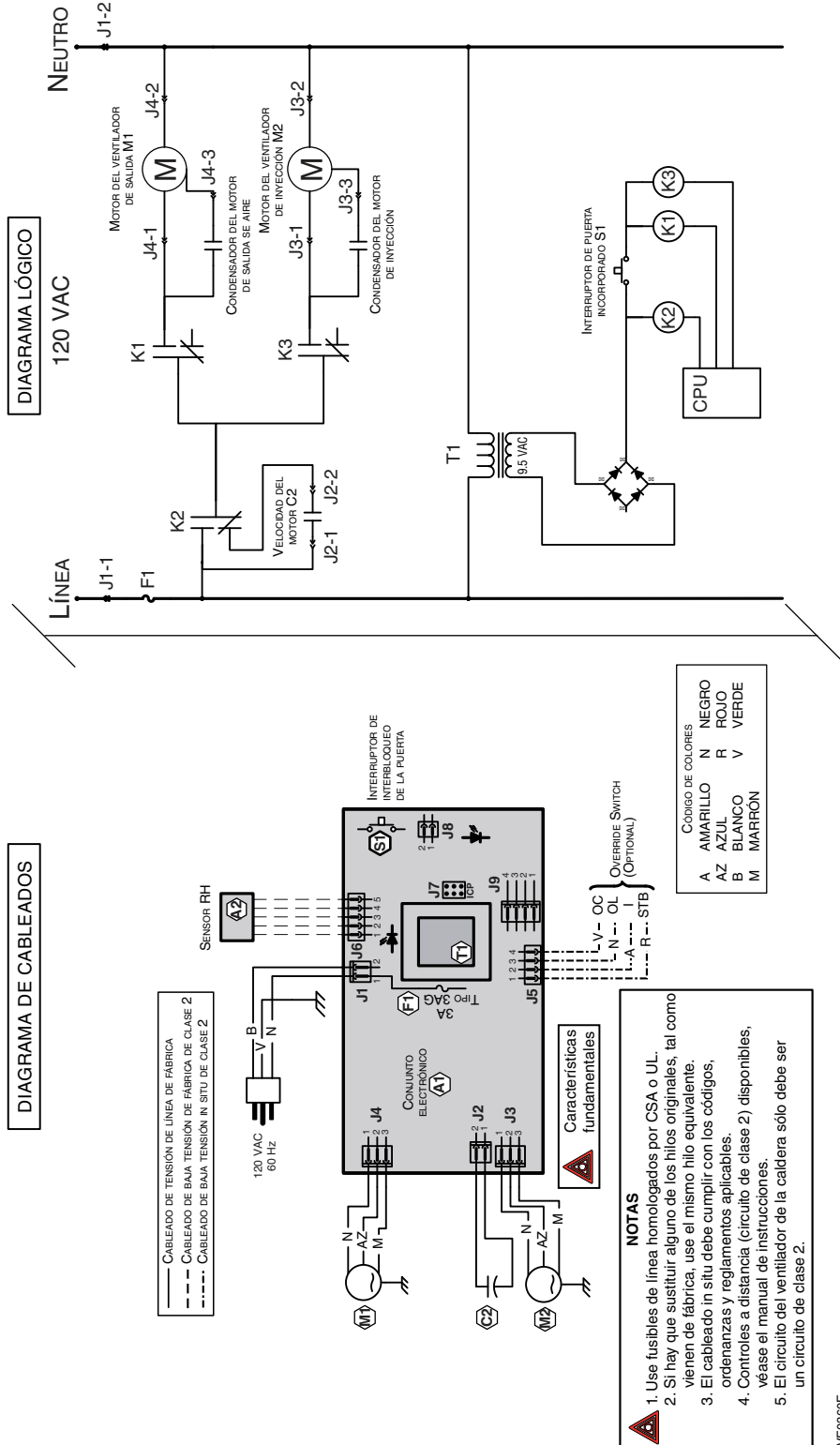
- Edificio:** Toda construcción usada o destinada para ser usada con el fin de alojar o recibir personas, animales o cosas.
- Uso residencial:** Vivienda, alojamiento, suite: edificio o parte de un edificio que sirve o está destinado a servir de domicilio a una o varias personas y que también posee instalaciones sanitarias, para preparar y consumir comidas y dormir. Local constituido por una sola pieza o un grupo de piezas complementarias y ocupado por un inquilino o propietario; incluye los alojamientos, las habitaciones individuales de moteles, hoteles, las casas de alquiler de habitaciones, los dormitorios colectivos y las pensiones familiares, incluso las tiendas y los establecimientos de negocios de una sola pieza en una vivienda.
- Uso comercial:** Establecimiento agrícola, comercial, de reunión, de cuidados o de detención: edificio o parte de un edificio que no contenga viviendas, situado en un terreno dedicado a la agricultura o a la ganadería y usado fundamentalmente para guardar equipos o animales, o para la producción, almacenamiento o tratamiento de productos agrícolas u hortícolas o la alimentación de los animales. Edificio o parte de un edificio usado para colocar o vender mercancías o productos al por menor o usado para realizar negocios o prestar servicios profesionales o personales. Edificio o parte de un edificio usado por personas que se reúnen para realizar actividades cívicas, políticas, turísticas, religiosas, mundanas, educativas, recreativas o similares, o para consumir alimentos o bebidas. Edificio o parte de un edificio que acoge a personas que, por su estado físico o mental, necesitan cuidados o tratamientos médicos, o a personas que, por razones de seguridad fuera de su control, no pueden guarecerse en caso de peligro.
- Uso industrial:** Edificio o parte de un edificio usado para ensamblar, fabricar, confeccionar, tratar, reparar o almacenar productos, materias o materiales cuyo contenido es combustible y posee materias muy combustibles, inflamables o explosivas en cantidad suficiente para constituir un riesgo concreto de incendio.

La garantía se aplicará en todos los casos en los que los daños no resulten de una instalación inadecuada, de un uso inapropiado, de un abuso o negligencia, de un caso fortuito o de cualquier otra circunstancia fuera del control de Broan. Además, Broan no se hace responsable de las lesiones o daños en la propiedad personal o inmobiliaria causados directa o indirectamente por el aparato de ventilación Broan. Esta garantía anula todas las garantías anteriores.

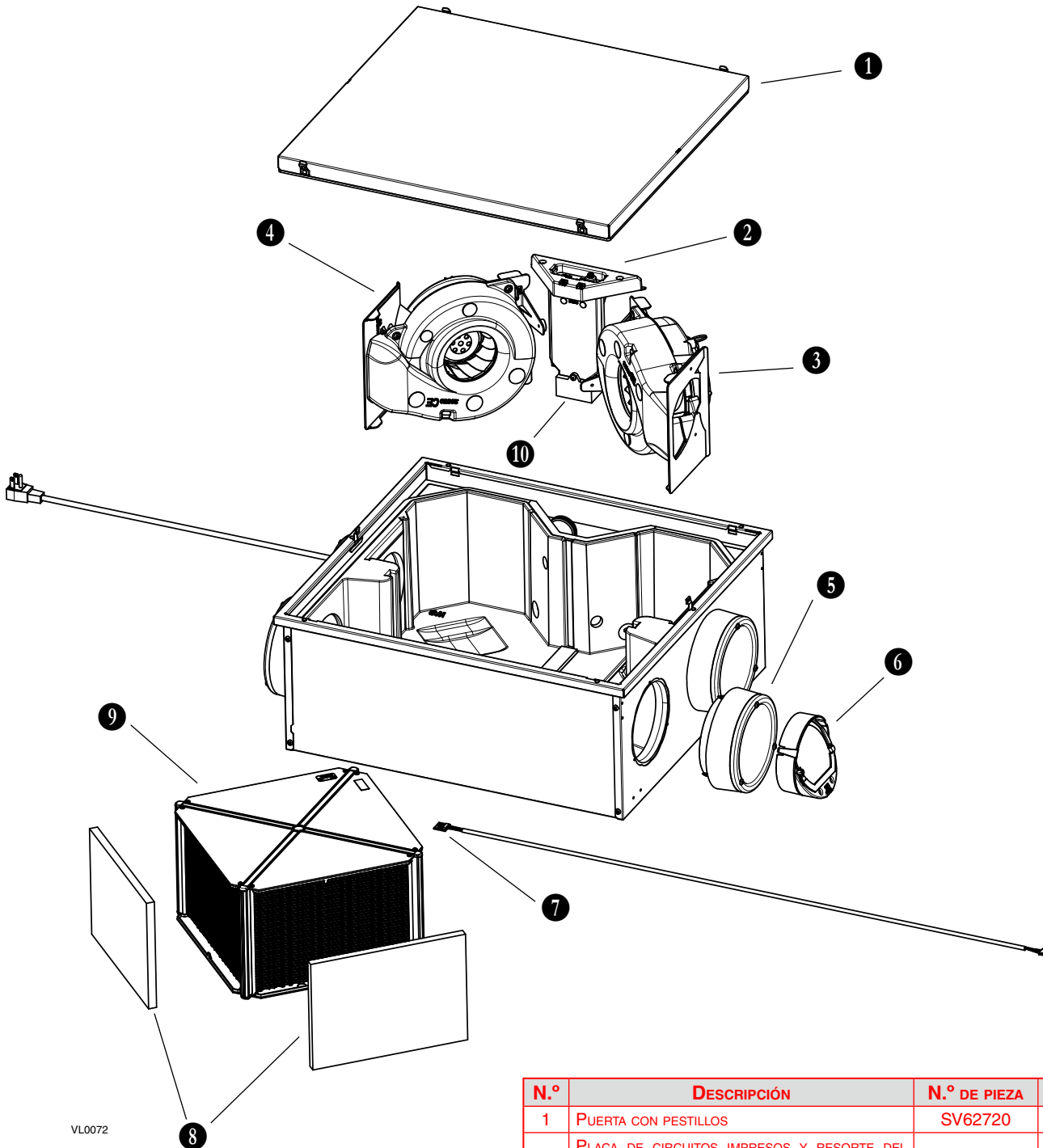
# 7 Diagrama de cableados

## ⚠ ADVERTENCIA

- Riesgo de descarga eléctrica. Antes de cualquier trabajo de reparación o mantenimiento, desconecte siempre la unidad de su fuente de alimentación o corte la corriente en el tablero eléctrico.
- El aparato está equipado con una protección contra la sobrecarga (fusible). Un fusible quemado indica que se ha producido una sobrecarga o cortocircuito. Si el fusible se quema, desenchufe el aparato y verifique la polaridad y el voltaje en la toma. Sustituya el fusible conforme a las instrucciones de mantenimiento (consulte el diagrama del cableado para conocer el valor nominal del fusible) y verifique el aparato. Si el nuevo fusible se quema también, puede tratarse de un cortocircuito. Deje de utilizar el aparato y envíelo a un centro de servicio autorizado para que lo examinen o reparen.



## 8 Piezas de repuesto



VL0072

### SUSTITUCIÓN DE PIEZAS Y REPARACIÓN

Para que la unidad se conserve en buen estado, debe usar repuestos genuinos Broan-NuTone LLC únicamente. Estas piezas se han diseñado especialmente para cada unidad y se han fabricado conforme a las normas de certificación aplicables y un elevado nivel de seguridad. El uso de repuestos de otros fabricantes podría causar daños graves y reducir radicalmente el desempeño de la unidad, causando así fallas prematuras. Broan-NuTone LLC también aconseja ponerse en contacto con un taller dereparación homologado por Broan-NuTone LLC para todos los repuestos y reparaciones.

N.º	DESCRIPCIÓN	N.º DE PIEZA	CTD
1	PUERTA CON PESTILLOS	SV62720	1
2	PLACA DE CIRCUITOS IMPRESOS Y RESORTE DEL INTERRUPTOR (SOPORTE DE PLÁSTICO NO INCLUIDO)	SV62721	1
3	KIT DEL VENTILADOR IMPELENTE CE	SV62724	1
4	KIT DEL VENTILADOR IMPELENTE WS	SV62723	1
5	KIT METÁLICO DEL PUERTO AISLADO DE 6"	SV62718	4
6	KIT DEL SISTEMA DE LA CLAPETA	SV62717	1
7	SENSOR DE TEMPERATURA Y HUMEDAD RELATIVA	SV62719	1
8	KIT DE FILTROS (2)	SV21029	1
	FILTROS OPCIONALES MERV 7 (2)	21030	1
9	NÚCLEO DE RECUPERACIÓN DE ENERGÍA ERV	SV61223	1
10	CONDENSADOR DE BAJA VELOCIDAD 18 µF	SV62722	1
*	KIT DEL DISPOSITIVO DE BLOQUEO DEL NÚCLEO	SV61237	1
*	KIT DE PIEZAS	SV22079	1

\* No se muestra.

## 9 Solución de problemas

Si el aparato no funciona debidamente, desenchúfelo durante un minuto y vuélvalo a enchufar para reiniciarlo. Si sigue sin funcionar debidamente, consulte la tabla de abajo.

	PROBLEMAS	CAUSAS POSIBLES	INTENTE ESTO
1	La unidad no se pone en marcha.	<ul style="list-style-type: none"> <li>No hay corriente en la toma.</li> <li>La puerta de la unidad no está bien cerrada.</li> <li>Pestañas de bloqueo del soporte de plástico del PCB este desengancha.</li> </ul>	<ul style="list-style-type: none"> <li>Verifique el disyuntor en el tablero de distribución.</li> <li>Pruebe la toma de corriente con otro aparato eléctrico (p. ej., una lámpara). Si sigue sin funcionar, llame a un electricista.</li> <li>Compruebe que la puerta de la unidad está bien cerrada.</li> <li>Compruebe que las pestañas de bloqueo del soporte de plástico del PCB este engancha correctamente.</li> </ul>
2	La señal LED parpadea rápidamente en el botón pulsador y en la unidad (error del motor).	<ul style="list-style-type: none"> <li>Arnés del motor dañado o mal conectado.</li> <li>Placa de circuitos impresos, conjunto del motor o condensador de baja velocidad defectuoso.</li> </ul>	<ul style="list-style-type: none"> <li>Verifique ambas conexiones del arnés del motor, compruebe que los conectores estén conectados en los lugares adecuados, que los hilos no estén dañados y que las clavijas de los conectores no estén corroídas.</li> <li>Abra la puerta y presione el resorte del interruptor de la puerta para reiniciar la unidad activando el proceso de autocomprobación de la secuencia de inicio. Ambos motores deben ponerse en marcha a alta velocidad durante 10 segundos y pasar luego a baja velocidad durante 10 segundos. Si no se ponen en marcha los dos motores a alta velocidad, sustituya la placa de circuitos impresos.</li> <li>Si uno de los motores no se pone en marcha a alta velocidad, invierta la conexión de ambos motores y vuelva a iniciar el proceso de autocomprobación; si el motor sigue sin ponerse en marcha a alta velocidad, sustituya el conjunto del motor. Si el problema es ahora el otro motor, sustituya la placa de circuitos impresos.</li> <li>Si ambos motores funcionan a alta velocidad pero no a baja velocidad, sustituya el condensador de baja velocidad. Si sólo funciona un motor a baja velocidad, sustituya el conjunto del motor defectuoso.</li> </ul>
3	La señal LED parpadea lentamente en el botón pulsador y en la unidad (error del sensor de humedad relativa y temperatura).	<ul style="list-style-type: none"> <li>Sensor de humedad relativa y temperatura mal conectado.</li> <li>Sensor de humedad relativa y temperatura defectuoso.</li> </ul>	<ul style="list-style-type: none"> <li>Verifique la conexión del arnés del sensor, compruebe que el conector esté conectado en el lugar adecuado, que los hilos no estén dañados y que las clavijas del conector no estén corroídas.</li> <li>Abra la puerta y presione el resorte del interruptor de la puerta para reiniciar la unidad activando el proceso de autocomprobación de la secuencia de inicio. Ambos motores deben ponerse en marcha a alta velocidad durante 10 segundos y pasar luego a baja velocidad durante 10 segundos. Tras esto, la unidad probará su sensor de temperatura y humedad relativa. Si la señal LED sigue parpadeando lentamente, sustituya el sensor de temperatura y humedad relativa defectuoso.</li> </ul>
4	El control mural no funciona.	<ul style="list-style-type: none"> <li>La unidad no es compatible con el control.</li> <li>Los hilos pueden estar en posiciones invertidas.</li> <li>Los hilos pueden estar mal conectados.</li> <li>Los hilos pueden estar rotos.</li> <li>Control mural defectuoso.</li> </ul>	<ul style="list-style-type: none"> <li>Consulte la tabla de la página 2 para ver la compatibilidad de los controles.</li> <li>Compruebe que los hilos con códigos de colores han sido conectados en los lugares adecuados.</li> <li>Compruebe que los hilos estén bien conectados.</li> <li>Examine cada hilo y sustituya los que estén dañados. Si los hilos están escondidos en las paredes, pruebe el control usando un hilo más corto.</li> <li>Sustituya el control mural.</li> </ul>
5	La unidad deja entrar demasiada humedad en el edificio durante la ventilación.	<ul style="list-style-type: none"> <li>Mal funcionamiento de la clapeta de retención.</li> <li>Mala configuración del límite de humedad relativa.</li> </ul>	<ul style="list-style-type: none"> <li>Verifique si la clapeta de retención de la unidad está cerrada cuando la unidad está apagada; si no lo está, verifique la orientación del conjunto de la clapeta (la palabra "TOP" grabada en el soporte de la clapeta debe estar en la parte de arriba), verifique si el imán está en su lugar en el soporte de la clapeta, verifique si el clip metálico está en su lugar en la clapeta. La clapeta debe abrir sin dificultades.</li> <li>Verifique el ajuste del límite de humedad relativa (la configuración de fábrica es "N" para el clima del sur y húmedo); ajuste el límite de humedad relativa colocándolo en la posición "-" para reducir el límite de humedad de la ventilación. La velocidad de ventilación se puede reducir cambiando el modo, de forma que entre menos humedad en el edificio.</li> </ul>
6	La unidad deja de ventilar con demasiada frecuencia.	<ul style="list-style-type: none"> <li>Mala configuración del límite de humedad relativa.</li> </ul>	<ul style="list-style-type: none"> <li>Verifique el ajuste del límite de humedad relativa (la configuración de fábrica es "N" para el clima del sur y húmedo); ajuste el límite de humedad relativa colocándolo en la posición "+" para incrementar el límite de humedad de la ventilación (el tiempo de ventilación será mayor) o ponga el límite de humedad relativa en la posición "OFF" para desactivar el sensor.</li> </ul>