

# Panasonic Advanced Ventilation Fans



***Whisper Recessed***<sup>TM</sup>  
VENTILATION FAN

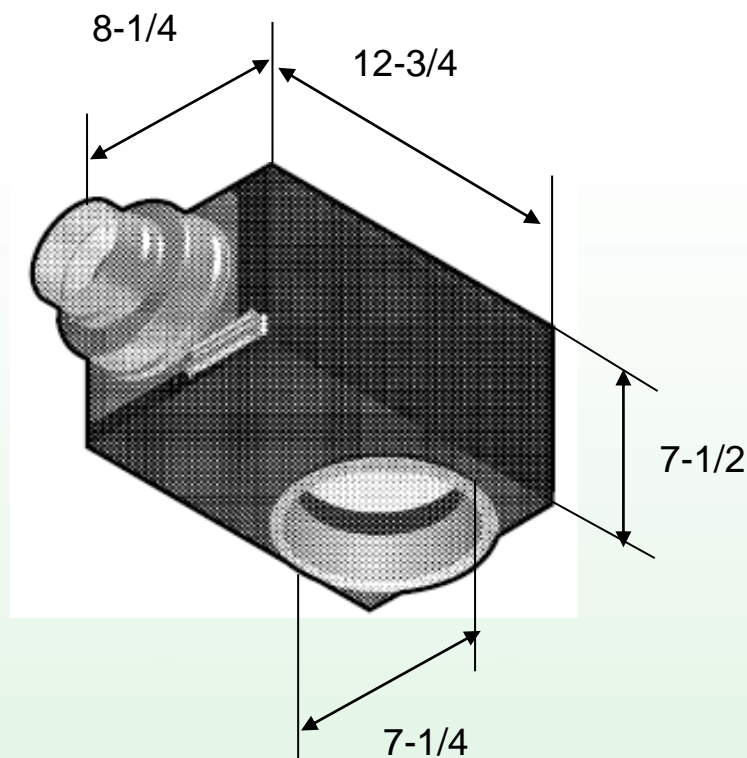


**Panasonic**<sup>®</sup>

## Provide Effective and Quiet Ventilation without it looking like a Fan

**Welcome to a new sales opportunity!**

WhisperRecessed is a single-speed, medium-profile ventilation fan with an upscale, designer recessed can light appearance. This product is ENERGY STAR Qualified with a self-ballasted 18 Watt CFL GU 24 pin lamp. The recessed light has a plastic enclosure that is able to drop further down into the opening for higher interface with furring strip/joist/drywall applications. The fan is dual rated for 4" or 6" duct; the 4" – 6" dual duct adapter is included.



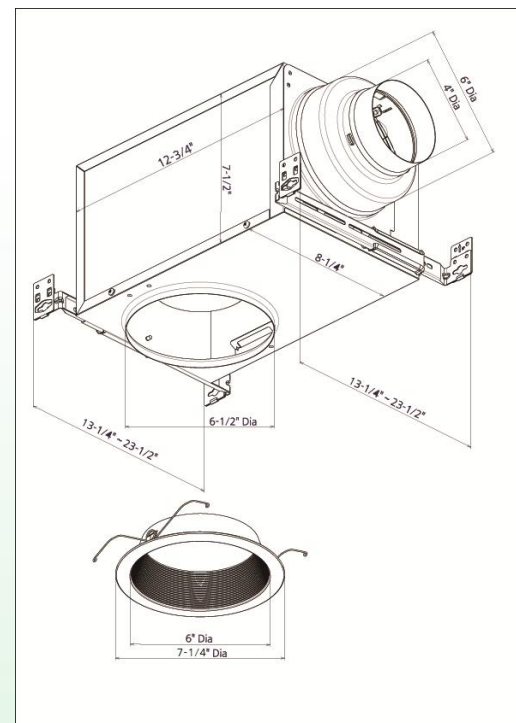
## FV-08VRL1



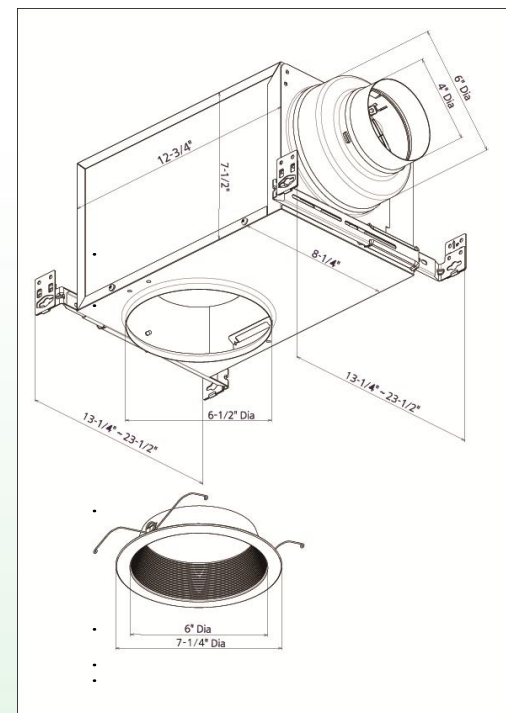
Features	Benefits
Invisible Ventilation	Architectural grade Recessed light fixture with Powerful, Quiet ventilation
Super Quiet Operation (FV-08VRL1 – 0.8 Sone)	Increased homeowner satisfaction
Energy Efficient (ENERGY STAR rated)	Reduced operating costs
Totally enclosed motor rated for continuous use	Reduced maintenance costs
UL listed for tub/shower enclosure when used with a GFCI branch circuit wire	Flexibility of installation locations
Industry Standard 6-1/2” Aperture	Common look to blend with other Recessed cans
Adjustable Lamp Positioning & Deeper Regression	Reduces glare
Dual 4” – 6” Duct Adapter	Installation Flexibility



- Totally enclosed AC condenser motor assures quiet operation
- Permanently lubricated motors
- Rust-proof paint treatment on galvanized steel body
- Easy installation
  - With dual 4" – 6" duct adapter
  - Double bar hanger system
- Built-in damper to prevent backdraft
- UL listed for tub/shower enclosure when used with a GFCI branch circuit wire
- Thermal fuse protection
- Can be used to comply with ASHRAE 62.2, ENERGY STAR, LEED & Title 24
- Manufactured in ISO 9001 Certified Facility
- 3 year warranty



Whisper Recessed		FV-08VRL1	
Characteristics (HVI tested data for 0.1" S.P.)	Static Pressure in inches w.g.	0.1	0.25
	Air Volume (CFM)	80	66
	Noise (sones)	0.8	0.7
	Power Consumption (watts)	20.5	19.5
	Energy Efficiency (CFM/Watt)	4.0	3.4
	Speed (RPM)	1378	1501
	Current (amps)	0.17	0.17
	MAX. Current(amps)	0.19	
	Power Rating (V/Hz)	120/60	
Specifications	Motor Type	AC	
	Type of Motor Bearing	Ball	
	Thermal Fuse Protection	Yes	
	Blower Wheel Type	Sirocco	
	ENERGY STAR Qualified	Yes	



Whisper Recessed		FV-08VRL1
Installation	Duct Diameter (Inches)	4 & 6
	Housing Collar Opening (Inches)	6-1/2" Round
	Trim Outer Diameter (Inches)	7-1/4" Round
Light Specifications	Lamp Watts	1 x 18
	Color Rendering Index	>80
	Color Temperature (Kelvin)	2,700
	Rated Life (hours)	10,000
	Lamp Model #	MLS18GUWW
	Type of Lamp Socket	GU24
Shipping	Gross Weight (lbs)	10.8
Approved Code/Standard/Regulation	UL tub/Shower Enclosure	Yes
	Washington VIAQ Code	Yes
	Mfg in ISO 9001 Certified Facility	Yes



Self-ballasted 18 Watt CFL  
GU 24 pin lamp included





Competition:

Broan model 744 & NuTone model 744NT (with incandescent light and Broan model 744FL & NuTone model 744FLNT (with fluorescent lamp).

**Competitive Cross Reference:**

Model Cross Reference	FV-08VRL1		744FL – 744FLNT	
Static Pressure	0.1	0.25	0.1	0.25
CFM	80	66	70	55
Sones	0.8	0.7	1.5	N/A
Watts	20.5	19.5	34.4	32.3
Light Bulb	18 Watt CFL		14 Watt CFL	



## Competitive Advantage:

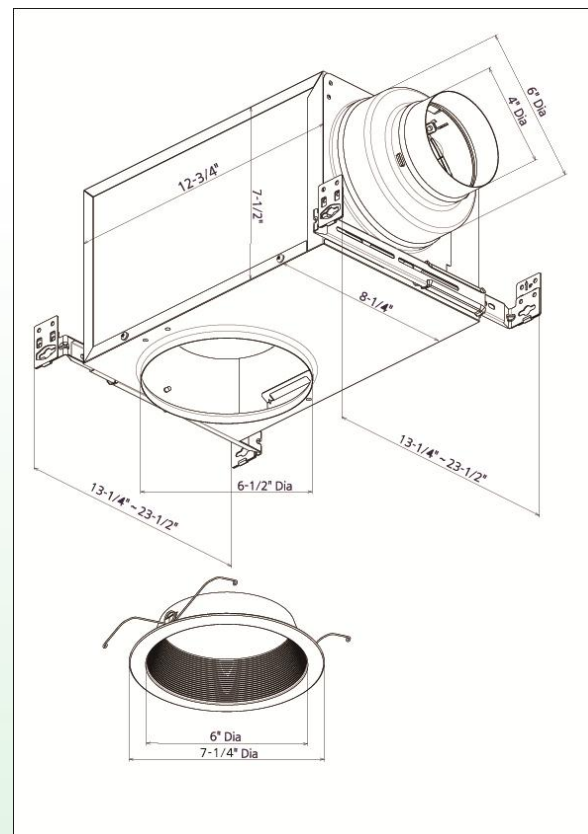
- Architectural grade quality with black ring appearance around the light vs. the traditional “builder-grade” design
- More Powerful with 10 more CFM (80 CFM vs. 70 CFM)
- About half the sones ( 0.8 Sone vs. 1.5 Sones)
- ONE THIRD FEWER WATTS (20.5 watts vs. 34.4 watts)
- 4” - 6” Dual Duct Adapter; included on the product





## Target Audience:

- Designers
- Architects
- Builders
- Lighting Showrooms



# Panasonic Advanced Ventilating Fans

Please bookmark:

[www.us.panasonic.com/ventfans](http://www.us.panasonic.com/ventfans)

- Technical specifications
- Installation Instruction
- Submittal sheets and architectural specifications
- And much more...



**Panasonic**<sup>®</sup>