

ecovent™

FV-07VBA1 – Fan Housing

FV-07VBB1 – Motor/Grille Assembly



FV-07VBA1 + FV-07VBB1

Universal-Can (U-Can) Contractor Pack

- Ideal for new residential construction
- 70 CFM, cost effective ENERGY STAR solution – 1.1 sones at 0.1" w.g. (56 CFM/1.4 sones @ 0.25" w.g.)
- Unique Veri-Boost™ integral switch ensures the fan meets designed airflow requirements
- Provides Ventilation Verification Assurance: ≥50 CFM Installed Performance
- Small grille design complements the aesthetics of your bathroom, powder room or laundry room
- Housing and motor/grille packaged separately; reduces risk of parts being lost or damaged onsite

ADDITIONAL BENEFITS

- 4" duct adaptor
- Built-in metal flange provides blocking for penetrations through drywall as an air barrier, and assists with the decrease in leakage in the building envelope during blower door testing
- UL listed for tub/shower enclosure when used with a GFCI protected circuit
- Can be used to comply with ASHRAE 62.2, LEED and ENERGY STAR for Homes 3.0
- 3 year warranty



ADJUSTABLE AIRFLOW FOR
MAXIMUM PERFORMANCE



IT'S ALL ABOUT MEASURED PERFORMANCE.

One of the most robust solutions for delivering Ventilation Verification Assurance.

EcoVent™ with Veri-Boost™ is the perfect solution for home builders looking for a cost effective, ENERGY STAR® rated fan that not only delivers strong performance, but peace of mind during verification testing. So choose the powerful, eco-friendly solution that delivers the installed performance you need, from a company who sets the standard for quality and value.



Built-in Veri-Boost™ Switch

Veri-Boost™ Integral Switch

Raters are now verifying the airflow of installed ventilation fans prior to certifying that they meet ASHRAE 62.2, ENERGY STAR 3.0 for Homes, LEED for Homes, CA Title 24, CalGreen and most Green Building programs. With so many fans on the market failing to deliver designed airflow, you need to spare yourself the hassle of having to rip out an under-performing fan and replace it. EcoVent's built-in Veri-Boost™ switch provides a 20 CFM boost, which helps ensure the fan meets designed airflow requirements and provides Ventilation Verification Assurance: ≥50 CFM Installed Performance. Need to bump up the CFM output to meet code? Just flip the Veri-Boost™ Switch and you're good to go.

Small Grille Design

The EcoVent grille is a smaller footprint (roughly 46% smaller) than comparable ESTAR fans. This design complements the aesthetics of your room by minimizing visual clutter on the ceiling. This makes EcoVent™ an ideal solution for the bathroom, powder room or laundry room area.

Universal Can (U-Can) Contractor Packs

EcoVent™ is offered in contractor packs, whereby the housing and motor/grille assembly are packaged separately. This easy to manage package design allows contractors to store the components separately without the fear of parts getting lost or damaged on site.



4" Duct, 70 CFM with Veri-Boost™
(Fits in 2" x 6" construction)



EcoVent U-Can Contractor Packs

Model #	Description	Contents	Master Pack*
FV-07VBA1	Universal Housing Can	Housing Can, Duct Adaptor & Junction Box	4
FV-07VBB1	Motor/Grille Assembly	Motor & Grille	4

*Must order in quantities of 4, shipment will contain 1 box with 4 pieces of each item.





Balometer used to verify installed performance

PANASONIC HIGH PERFORMANCE SOLUTIONS PROVIDE VENTILATION VERIFICATION ASSURANCE

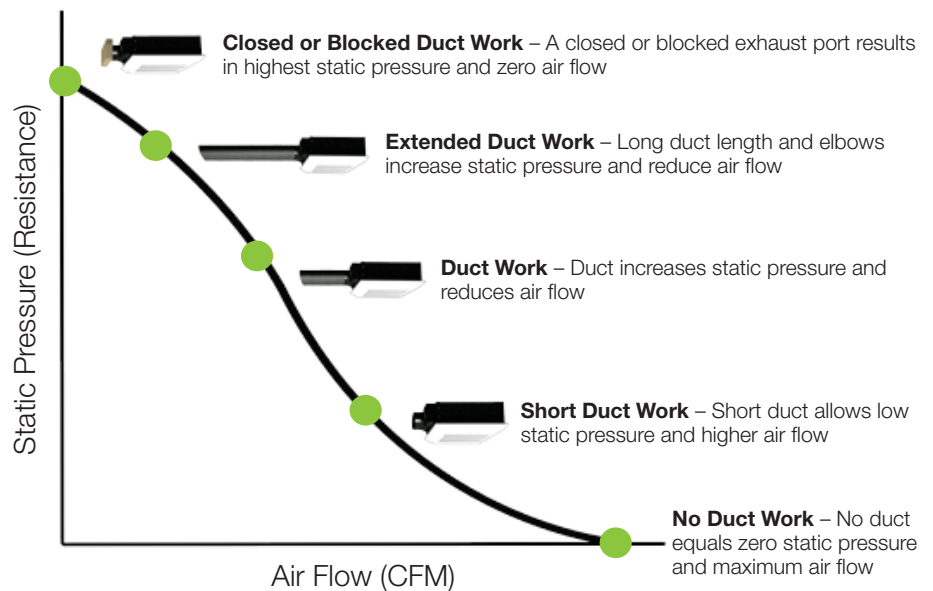
It is all about Measured Performance

Compliance with ASHRAE 62.2, the national ventilation standard, is now required for ENERGY STAR® for Homes 3.0

ENERGY STAR 3.0 HVAC System Quality Installation Rater Checklist:

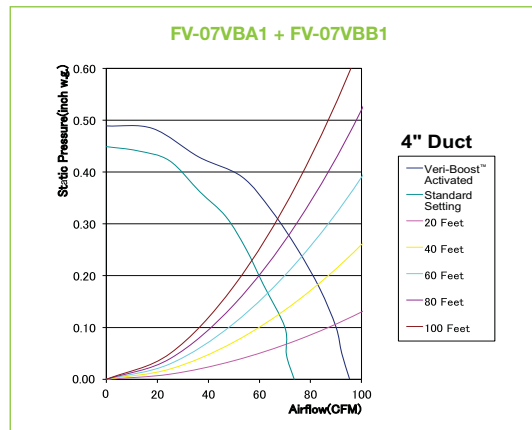
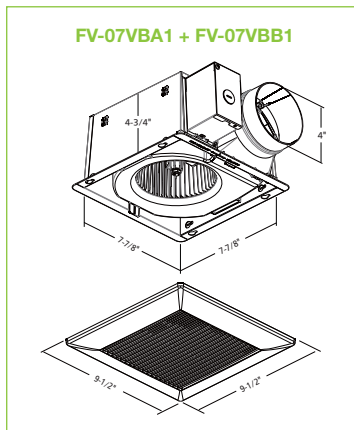
- ✓ Measured ventilation rate is within 100-120% of HVAC contractor design value
- ✓ Rater shall measure ventilation and exhaust air flow using a flow hood, flow grid, anemometer or substantially equivalent method in accordance with AABC, NEBB or ASHRAE procedures
- ✓ **Intermittent bath fan measured air flow requirement ≥ 50 CFM**
- ✓ Continuous supply and exhaust fans rated at 1.0 sones or less
- ✓ Exhaust-only whole-house mechanical ventilation system must be verified that the fan turns on automatically, without homeowner intervention
- ✓ All ventilation fans must be verified as ENERGY STAR certified

Static Pressure Graph





FV-07VBA1 + FV-07VBB1



EcoVent					
SPECIFICATIONS		FV-07VBA1 + FV-07VBB1			
Characteristics (HVI tested data for 0.1" S.P.)	Fan Setting	Standard		Veri-Boost™ Activated	
	Static Pressure in inches w.g.	0.1	0.25	0.1	0.25
	Air Volume (CFM)	70	56	90	75
	Noise (sones)	1.1	1.4	1.5	2.0
	Power Consumption (watts)	20.0	20.0	24.0	24.0
	Energy Efficiency (CFM/Watt)	3.5	2.8	3.8	3.1
	Speed (RPM)	907	1200	1019	1266
	Current (amps)	0.15	0.14	0.19	0.18
	MAX. Current(amps)	0.25			
	Power Rating (V/Hz)	120/60			
Specifications	Motor Type	AC			
	Type of Motor Bearing	Ball			
	Thermal Fuse Protection	Yes			
	Blower Wheel Type	Sirocco			
	ENERGY STAR Qualified	Yes			
Installation	Duct Diameter (Inches)	4			
	Mounting Opening (Inches sq.)	7-7/8			
	Grille Size (Inches sq.)	9-1/2			
	Housing Depth (Inches sq.)	4-3/4			
Shipping	Gross Weight (lbs)	5.7			
Approved Code/ Standard/Regulation	UL tub/Shower Enclosure	Yes			
	Washington VIAQ Code	Yes			
	California Title 24 Compliant	Yes			
	Mfg in ISO 9001 Certified Facility	Yes			

NOTE: 0.25" w.g. = Installed Performance



Panasonic Eco Solutions of North America
Eco Products Division
 Two Riverfront Plaza
 Newark, NJ 07102
us.panasonic.com/ventfans

For Order Information
 PHONE: 866-292-7299
 FAX: 888-553-0723
ventfans@us.panasonic.com