



### CONSTRUCTO 1.2 ERV

Part no. 41556 (TOP PORTS)

Part no. 41554 (SIDE PORTS)

44 to 120 CFM (0.4 in. w.g.)



VB0221

### A VERSATILE AND COMPACT PLATFORM OFFERING EVEN MORE POWER

The Constructo 1.2 ERV is providing 15 cfm more than the Constructo 1.0 ERV making it suitable for larger ventilation needs. It's the only 120 cfm ERV qualifying for ENERGY STAR®, thanks to its unique ERV core reducing the air conditioning and heating loads during summer and winter respectively. Still, it offers the same ease of installation associated to the Constructo 1.0 series.

Its operation can be interlocked with an existing furnace without adding an extra relay. Also, for more convenience, its latches can be relocated on its front (as shown on unit picture). This compact, lightweight, and powerful unit is the ideal choice for small single-family homes, high rise residential building and other limited space applications.

- Versatile horizontal or vertical port configuration
- Removable terminal block to ease auxiliary wall control connections
- Integrated pressure taps, if balancing required by building code
- ENERGY STAR® qualified

### REPAIRS AND MAINTENANCE

All parts of the Constructo 1.2 ERV that could need maintenance can be removed in less than 5 minutes, allowing direct access for easy repairs. The PSC motors are permanently lubricated. Finally, the removable electrical drawer with pull-out PCB assembly allows easy access for maintenance of major sub-components.

### WARRANTY

The Constructo 1.2 ERV is protected by a 2-year warranty on parts only. The energy recovery core is covered by a 5-year warranty, with the original proof of purchase.

Available at:



## ENERGY RECOVERY VENTILATOR

### Controls

- This unit is very simple to operate. Once it is installed, press on its push button, located on the bottom of the unit, to activate it. Press once for low speed, once again for high speed, and once more to stop it.
- The following main controls are available:
  - Altitude programmable digital control with SMART mode no. 40440
  - Deco-Touch digital control no. 40395
  - Constructo no. 40350
  - Lite-Touch Constructo no. 40370
  - Simple-Touch Constructo no. 40390
- The following optional auxiliary controls can also be added:
  - 20-min. lighted push button no. 12030
  - 60-min. mechanical timer no. 00910
  - Dehumidistat no. 11297

For more details about controls, refer to their specification sheet on [venmar.ca](http://venmar.ca).

### Options

- Complete line of registers and diffusers
- Electric duct heater
- Dual exterior hood kit (including the Tandem® transition), part no. 14690

### Homeshield™ Defrosting System

The Constructo 1.2 ERV uses a unique defrosting method. No negative pressure is created by air exhausted to the outside, as the air is recirculated into the house, helping to prevent any backdraft.

STALE AIR FROM BUILDING	OUTSIDE TEMPERATURE		DEFROST CYCLE (IN MINUTES)
	°C	°F	DEFROST/OPERATION
FILTERED AIR TO BUILDING	WARMER THAN -5	WARMER THAN 23	NO DEFROST
	-5 TO -27	23 TO -17	9/28
	-27 AND LESS	-17 AND LESS	10/22

### Energy Recovery Core

Dimensions: 19 1/8" x 13 7/16" x 6 7/8" (48,6 cm x 34,1 cm x 17,3 cm)

Exchange surface: 56 ft.<sup>2</sup> (5.2 m<sup>2</sup>)

Weight: 9.25 lb. (4,2 kg)

Material: Polymerized paper

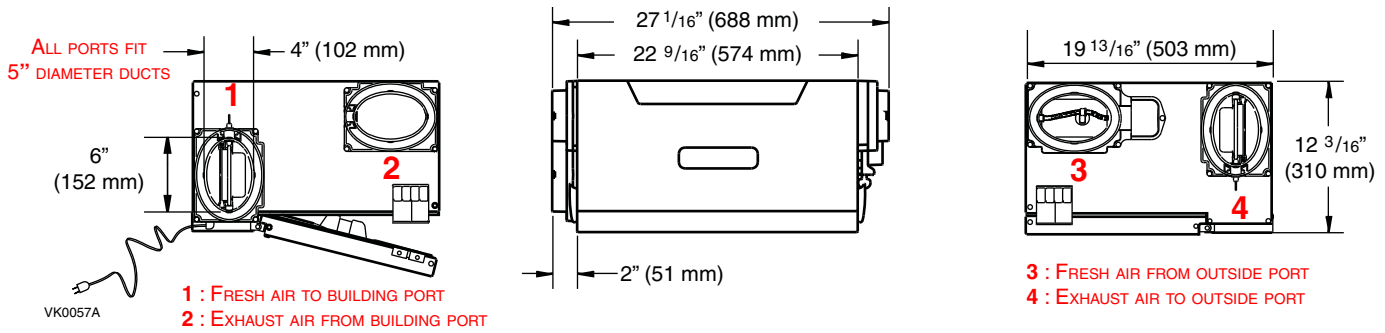
Type: Crossflow and counterflow core

Warranty: 5 years

### Requirements and Standards

- Complies with the UL 1812 requirements regulating the installation of Energy Recovery Ventilators
- Complies with the CSA C22.2 no. 113 Standard applicable to ventilators
- Complies with CSA C444 requirements regulating the installation of Energy Recovery Ventilators
- Technical data was obtained from published results of tests relating to CSA C439 Standards
- HVI certified and ENERGY STAR® qualified

## DIMENSIONS: CONSTRUCTO 1.2 ERV (SIDE PORTS)



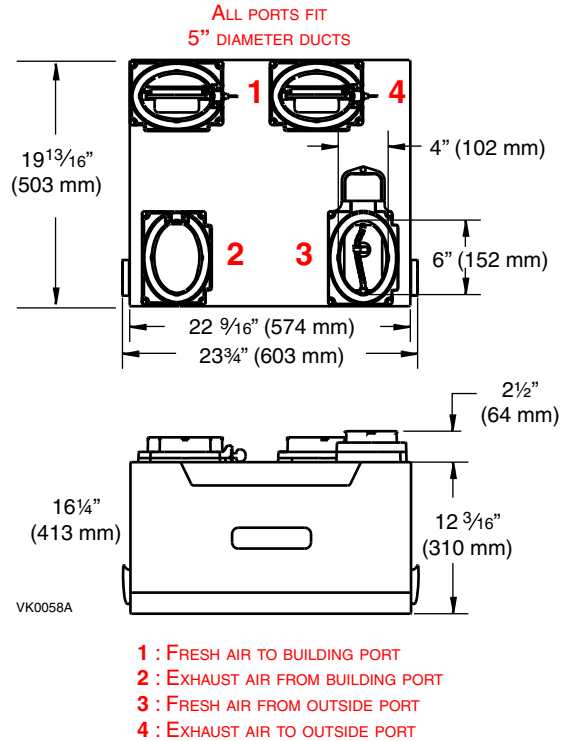
## VENTILATION PERFORMANCE

EXTERNAL STATIC PRESSURE	NET SUPPLY AIR FLOW	GROSS AIR FLOW								
		SUPPLY			EXHAUST					
PA	IN. W.G.									
25	0.1	63	133	226	64	136	231	64	136	231
50	0.2	61	130	221	63	133	226	62	132	224
75	0.3	60	126	214	61	129	219	60	127	216
100	0.4	57	120	204	58	122	207	58	122	207
125	0.5	55	117	199	56	119	202	56	118	200
150	0.6	52	110	187	53	113	192	53	113	192
175	0.7	50	106	180	51	108	183	51	108	183
200	0.8	48	102	173	50	105	178	48	101	171
225	0.9	46	98	167	47	99	168	47	99	168
250	1.0	44	93	158	45	95	161	44	93	158

## ENERGY PERFORMANCE

SUPPLY TEMPERATURE	NET AIR FLOW	POWER CONSUMED	SENSIBLE RECOVERY EFFICIENCY	APPARENT SENSIBLE EFFECTIVENESS	LATENT RECOVERY/MOISTURE TRANSFER			
						WATTS		
°C	°F	L/S	CFM	M <sup>3</sup> /H				
HEATING								
0	32	23	49	83	42	67	79	0.61
0	32	30	64	109	60	65	75	0.55
0	32	40	84	143	72	63	71	0.48
-25	-13	23	49	83	58	60	75	0.60
-25	-13	30	64	109	71	55	71	0.57
COOLING								
35	95	21	44	75	42	TOTAL RECOVERY EFFICIENCY		
						55		

## CONSTRUCTO 1.2 ERV (TOP PORTS)



NOTE: All specifications are subject to change without notice.

## SPECIFICATIONS

- Model: Constructo 1.2 ERV
- Part number top ports: 41556
- Part number side ports: 41554
- Total assembled weight (including polymerized paper core): 45 lb. (20.4 kg)
- Oval shaped ports; fit 5" diameter ducts
- Core filters: 30 ppi washable foam 8.75" x 6.75" x 0.5" (22,2 cm x 17,2 cm x 1,3 cm)
- Housing: Pre-painted steel
- Insulation: Expanded polystyrene
- Mounting: Suspension by chains and springs
- Supply and exhaust blower motor: 2 motors
  - Protection type: Thermally protected
  - Insulation class: B
- Speed control on unit: Low & high speeds. Other modes available with optional wall controls.
- Energy recovery core:
  - Heat exchange surface area: 56 ft.<sup>2</sup> (5.2 m<sup>2</sup>)
  - Type: Crossflow and counterflow
  - Material: Polymerized paper
- Unit electrical characteristics: 120 volts, 60 Hz, 0.87 ampere, 104 watts

Project:	REMARKS
Location:	
Part Number:	
Qty.:	
Submitted by: _____ Date: _____	



Residential Products Group, 550 Lemire Blvd., Drummondville, Qc, Canada J2C 7W9 - Tel: 1 800 567-3855 Fax 1 800 567-1715



www.venmar.ca

Constructo1.2ERVd140425