



CONSTRUCTO 1.0 ERV

Part no. 41506 (TOP PORTS)

Part no. 41504 (SIDE PORTS)

45 to 105 CFM (0.4 in. w.g.)



VB0071

AN INGENUOUS AIR EXCHANGE SOLUTION THAT'S AS VERSATILE AS IT IS COMPACT!

Configured with factory built vertical or horizontal ports, the AVS Constructo 1.0 ERV is the most versatile 100-cfm unit available on the market today. Among its exclusive features, this unit is equipped with integrated balancing and backdraft dampers in its exhaust to outside and fresh air supply ports. For a standard installation, there is no need to balance the unit*, thanks also to its twin high-pressure blowers. Its operation can be interlocked with an existing furnace without adding an extra relay. Also, for more convenience, its latches can be relocated on its front (as shown on unit picture). This compact, lightweight, and powerful unit is the ideal choice for small single-family homes, high rise residential building and other limited space applications.

*To avoid balancing, the difference between stale air ducts total length and fresh air ducts total length must not exceed 50 ft.

- Versatile horizontal or vertical port configuration
- Removable terminal block to ease optional wall control connections
- Integrated pressure taps, if balancing required by building code
- ENERGY STAR® qualified

REPAIRS AND MAINTENANCE

All parts of the AVS Constructo 1.0 ERV that could need maintenance can be removed in less than 5 minutes, allowing direct access for easy repairs. The PSC motors are permanently lubricated. Finally, the removable electrical drawer with pull-out PCB assembly allows easy access for maintenance of major sub-components.

WARRANTY

The AVS Constructo 1.0 ERV is protected by a 2-year warranty on parts only. The energy recovery core is covered by a 5-year warranty.

Available at:

ENERGY RECOVERY VENTILATOR

Controls

- This unit is very simple to operate: once it is installed, press on its push button, located on the bottom of the unit, to activate it. Press once for low speed, once again for high speed, and once more to stop it.
- The following main controls are available:
 - Altitude programmable digital control with SMART mode no. 40440
 - Deco-Touch digital control no. 40395
 - Constructo no. 40350
 - Lite-Touch Constructo no. 40370
 - Simple-Touch Constructo no. 40390
- Up to 5 of the following optional auxiliary controls can also be added:
 - 20-min. lighted push button no. 12030
 - 60-min. mechanical timer no. 00910

Options

- Complete line of registers and diffusers
- Electric duct heater
- Dual exterior hood kit (including the Tandem® transition), part no. 14690

Homeshield™ Defrosting System

The AVS Constructo 1.0 ERV uses a unique defrosting method. No negative pressure is created by air exhausted to the outside, as the air is recirculated into the house, helping to prevent any backdraft.

STALE AIR FROM BUILDING	OUTSIDE TEMPERATURE		DEFROST CYCLE DEFROSTING MIN./ OPERATING MIN.
	°C	°F	
FILTERED AIR TO BUILDING VFD037	WARMER THAN -5	WARMER THAN 23	No DEFROST
	-5 TO -27	23 TO -17	9/28
	-27 & LESS	-17 & LESS	10/22

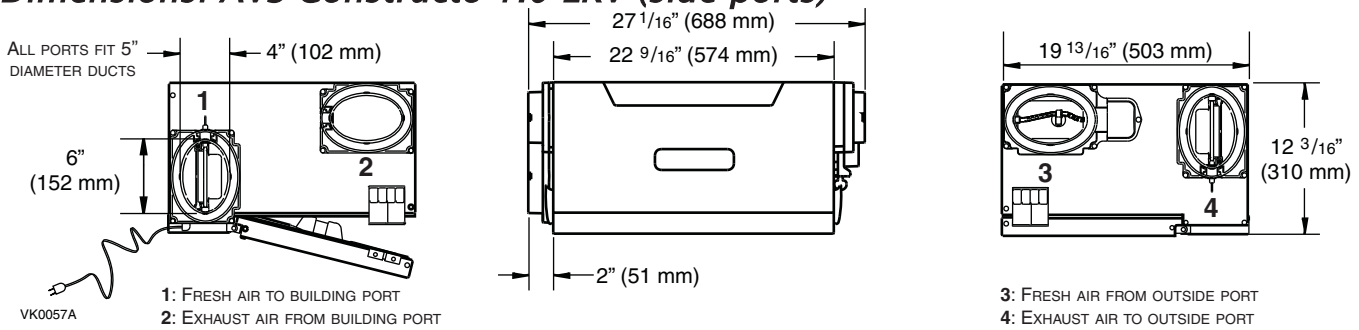
Energy Recovery Core

Dimensions: 19½" x 13⅞" x 6⅞" (48.6 cm x 34.1 cm x 17.3 cm)
 Exchange surface: 56 ft² (5.2 m²)
 Weight: 9.25 lb (4.2 kg)
 Material: Polymerized paper
 Type: Crossflow and Counterflow core
 Warranty: 5 years

Requirements and Standards

- Complies with the UL 1812 requirements regulating the installation of Energy Recovery Ventilators
- Complies with the CSA C22.2 no. 113 Standard applicable to ventilators
- Complies with CSA C444 requirements regulating the installation of Energy Recovery Ventilators
- Technical data was obtained from published results of tests relating to CSA C439 Standards
- HVI certified and ENERGY STAR® qualified

Dimensions: AVS Constructo 1.0 ERV (side ports)



Ventilation Performance

EXT. STATIC PRESSURE		NET SUPPLY AIR FLOW			GROSS AIR FLOW					
					SUPPLY			EXHAUST		
PA	IN. W.G.	L/S	CFM	M ³ /H	L/S	CFM	M ³ /H	L/S	CFM	M ³ /H
25	0.1	54	115	195	55	117	199	55	117	199
50	0.2	53	112	190	54	115	195	54	114	193
75	0.3	51	109	185	53	111	189	52	110	187
100	0.4	49	105	178	50	106	180	50	106	180
125	0.5	48	102	173	49	104	177	49	103	175
150	0.6	45	96	163	47	99	168	47	99	168
175	0.7	44	93	158	45	94	160	45	94	160
200	0.8	42	89	151	43	92	156	42	88	150
225	0.9	40	85	144	41	87	148	41	87	148
250	1.0	38	81	138	39	82	139	38	81	138

Energy Performance

SUPPLY TEMPERATURE		NET AIR FLOW			POWER CONSUMED	SENSIBLE RECOVERY EFFICIENCY	APPARENT SENSIBLE EFFECTIVENESS	LATENT/RECOVERY MOISTURE TRANSFER
°C	°F	L/S	CFM	M ³ /H	WATTS			
HEATING								
0	32	23	49	83	42	67	79	0.61
0	32	30	64	109	60	65	75	0.55
0	32	40	84	143	72	63	71	0.48
-25	-13	21	45	76	58	60	75	0.60
-25	-13	30	64	109	71	55	71	0.57
COOLING								
35	95	21	44	75	42	TOTAL RECOVERY EFFICIENCY		50

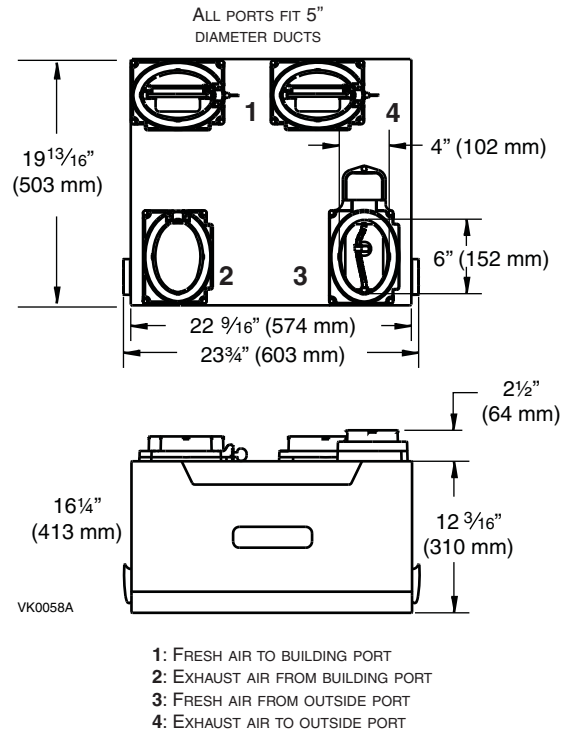
NOTE: All specifications are subject to change without notice.

Specifications and Ratings

- Model: AVS Constructo 1.0 ERV
- Part Number top ports: 41506
- Part Number side ports: 41504
- Total Assembled Weight (including polymerized paper core): 45 lb (20.4 kg)
- Oval shaped ports; fit 5" diameter ducts
- Core filters: 30 ppi washable foam 8.75" x 6.75" x 0.5" (22.2 cm x 17.2 cm x 1.3 cm)
- Cabinet: Pre-painted steel
- Insulation: Expanded polystyrene
- Mounting: Suspension by chains and springs
- Supply & Exhaust Blower Motors: 2 motors
 - Protection type: Thermally protected
 - Insulation class: B
- Speed Control on unit: Low & High speed. Other modes available with main and optional wall controls
- Energy Recovery Core:
 - Heat Exchange Surface Area: 56 ft² (5.2 m²)
 - Type: Crossflow and Counterflow
 - Material: Polymerized paper
- Unit Electrical Characteristics:

Volts	Frequency	Ampere	Watts
120	60 Hz	1.0	104

AVS Constructo 1.0 ERV (top ports)



PROJECT:	REMARKS
LOCATION:	
MODEL NO.:	
QTY.:	
SUBMITTED BY:	
DATE:	

