



## ERV DUO 2.0

Part no. 47700

110 to 169 CFM (0.4 in. w.g.)



VB0163

### DUO®: ENERGY-RECOVERY VENTILATION FOR HOT AND COLD SEASONS

Homeowners who want the best in energy-recovery ventilation choose the Duo 2.0 for its heat and moisture recovery efficiency, its reliability and very quiet operation. When used along with the Altitude IAQ wall control with SMART mode (automated ventilation based on indoor relative humidity and outdoor temperature), the Duo 2.0 allows you to optimize your ventilation and your energy consumption. The Duo is a great choice for year-round ventilation that reduces your air conditioning loads in summer and your heating requirements in the winter.

- Enthalpic wheel with superior heat and moisture transfer
- Maintenance free, totally enclosed, sealed bearings motor
- Pressure taps, balancing dampers and duct straps for quick, effective installation
- Reversible for greater installation flexibility
- No drain required
- Recirculation mode to move air in homes without forced-air heating

### REPAIRS AND MAINTENANCE

Venmar AVS DUO modular design makes it possible to remove all mechanical parts in less than 5 minutes. The recovery wheel and its driving mechanism are characterized by their simplicity and ease of maintenance. Resorting to proven technologies, the Venmar development team applied the principle of the belt-driven system used in cars and used a shock and vibration-absorbing axle to prevent wear on the motor.

The low power consumption motor is permanently lubricated. Finally, the electronic circuit board eliminates electromechanical parts, reducing repair time to a minimum.

### WARRANTY

The ERV DUO 2.0 is protected by a complete 5-year warranty on parts, including the energy recovery thermal wheel, with the original proof of purchase.

Available at:

# ENERGY RECOVERY VENTILATOR

## Controls

- This unit is very simple to operate: press on its push button, located on the electrical compartment, to activate it. Press once for low speed, once again for high speed, and once more to stop it.
  - The following main controls are also available:
    - Altitude programmable digital control with SMART mode no. 40440
    - Deco-Touch digital control no. 40395
    - Lite-Touch Constructo no. 40370
    - Simple-Touch Constructo no. 40390
    - Constructo no. 40350
  - Up to 5 of the following optional auxiliary controls can also be added:
    - Dehumidistat no. 11297
    - 20/40/60 min. lighted push-button no. 03364
- For more details about controls, refer to their specification sheet on venmar.ca.

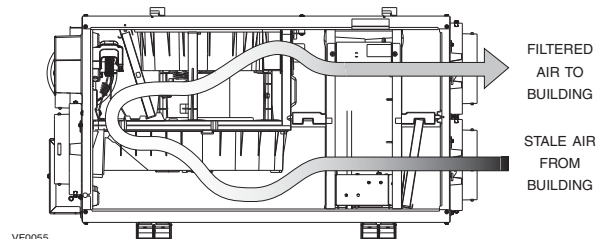
## Options

- Complete line of registers and diffusers

## Defrosting System

The ERV DUO 2.0 uses an efficient defrosting method. No negative pressure is created by air exhausted to the outside, as the air is recirculated into the house, helping to prevent any backdraft.

OUTSIDE TEMPERATURE		DEFROST CYCLE
°C	°F	DEFROSTING MIN./OPERATING MIN.
WARMER THAN -5	WARMER THAN 23	NO DEFROST
-5 TO -15	23 TO 5	9/60
-15 TO -27	5 TO -17	9/32
-27 & LESS	-17 & LESS	9/20



## Energy Recovery Wheel

Dimensions: 14" Ø x 3.75" (36 cm Ø x 9.5 cm)

Weight: 5.5 lb (2.5 kg)

Material: Polymeric wheel impregnated with desiccant

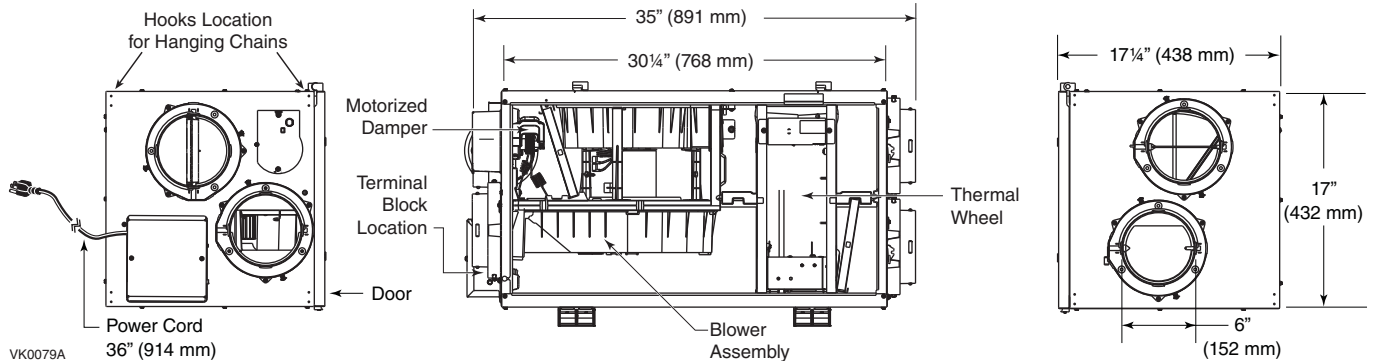
Type: Combined plastic

Warranty: 5 year

## Requirements and Standards

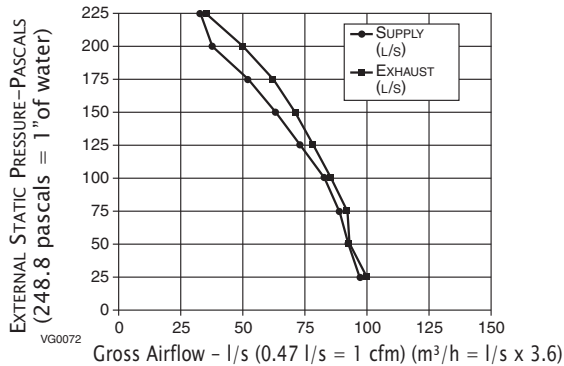
- Complies with the UL 1812 requirements regulating the installation of Energy Recovery Ventilators
- Complies with the CSA C22.2 no. 113 Standard applicable to ventilators
- Complies with the CSA F326 requirements regulating the installation of Energy Recovery Ventilators
- Technical data was obtained from published results of tests relating to CSA C439 Standards
- HVI certified

## Dimensions: ERV Duo 2.0



## Ventilation Performance

EXT. STATIC PRESSURE	NET SUPPLY AIR FLOW	GROSS AIR FLOW								
		SUPPLY			EXHAUST					
PA	IN. W. G.	L/S	CFM	M <sup>3</sup> /H	L/S	CFM	M <sup>3</sup> /H	L/S	CFM	M <sup>3</sup> /H
25	0.1	97	206	350	99	211	359	100	214	364
50	0.2	92	196	333	95	201	342	95	203	345
75	0.3	85	181	308	87	186	316	90	192	326
100	0.4	79	169	287	81	173	294	85	180	306
125	0.5	72	153	260	74	156	265	79	168	285
150	0.6	63	134	228	65	138	235	70	149	253
175	0.7	51	108	184	52	111	189	62	132	224
200	0.8	38	81	138	39	83	141	50	106	180
225	0.9	33	69	117	33	71	121	35	75	127



## Energy Performance

SUPPLY TEMPERATURE		NET AIR FLOW			POWER CONSUMED WATTS	SENSIBLE RECOVERY EFFICIENCY	APPARENT SENSIBLE EFFECTIVENESS	LATENT/RECOVERY MOISTURE TRANSFER
°C	°F	L/s	CFM	M <sup>3</sup> /H				
HEATING								
0	32	52	110	187	137	69	77	0.79
0	32	83	177	302	201	64	71	0.75
COOLING								
35	95	55	116	198	132	TOTAL RECOVERY EFFICIENCY 70		

NOTE: All specifications are subject to change without notice.

## Specifications and Ratings

- Model: ERV DUO 2.0
- Part No.: 47700
- Total Assembled Weight (including energy recovery wheel): 73 lb (33 Kg)
- 6" Round Ports
- Filters: 15 ppi washable reticulated foam 15.375" x 7.125" x 0.75" (39 cm x 18 cm x 1.9 cm)
- Housing: Pre-painted steel
- Insulation: Expanded polystyrene
- Mounting: Suspension by chains and springs
- Supply & Exhaust Blower Motor: 1 PSC motor
  - Protection type: Thermally protected
  - Insulation class: B
- Speed Control on unit: Low & High speed. Other modes available with optional main wall controls.
- Unit Electrical Characteristics:
 

Volts	Frequency	Amps	Watts
120	60 Hz	2.2	230

PROJECT:	REMARKS
LOCATION:	
MODEL NO.:	
QTY.:	
SUBMITTED BY:	DATE:



Residential Product Group, 550 Lemire Blvd., Drummondville, QC, Canada J2C 7W9 - Tel.: 1-800-567-3855 Fax: 1-800-567-1715



www.venmar.ca

ERVDuo2.0d120518