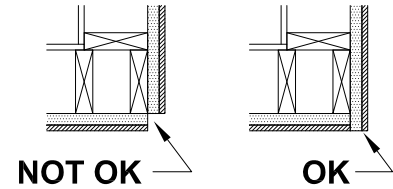


ENSURE TAPE AT CORNER IS POSITIONED FOR A MINIMUM 1-INCH OF CONTACT ON GREEN OVERLAY SURFACE ON BOTH PANELS. 6-INCH TAPE OR MULTIPLE PIECES OF 3.75-INCH TAPE IS ACCEPTABLE

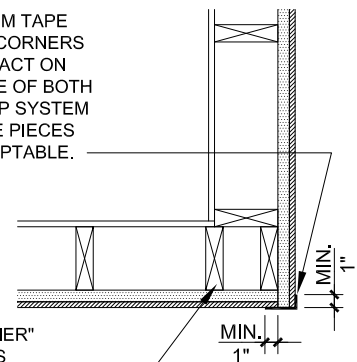
INSTALL SOLID BLOCKING BETWEEN STUDS AS NEEDED FOR REQUIRED EDGE NAILING.

INSTALL EDGE AND INTERIOR FASTENERS PER ZIP SYSTEM R-SHEATHING PANEL INSTALLATION MANUAL



INSTALL ZIP SYSTEM TAPE AT ALL EXTERIOR CORNERS WITH MIN. 1" CONTACT ON OVERLAY SURFACE OF BOTH PANELS. 6-INCH ZIP SYSTEM TAPE OR MULTIPLE PIECES OF 3.75" ARE ACCEPTABLE.

"CALIFORNIA CORNER" OR DRYWALL CLIPS MAY BE USED IN LIEU OF STUD SHOWN.



DRAWING NOT TO SCALE

07-09-2012

Sales Office: 10925 David Taylor Drive - Suite 300 - Charlotte, NC 28262  
 Telephone: 800.933.9220 - Facsimile: 704.547.9228 - www.zipsystem.com

another innovation from



ENGINEERED WOODS

These construction details are provided to assist in the installation of ZIP System® product(s) and may not apply to every situation. Manufacturer accepts no responsibility or liability for the use of these or other construction details.