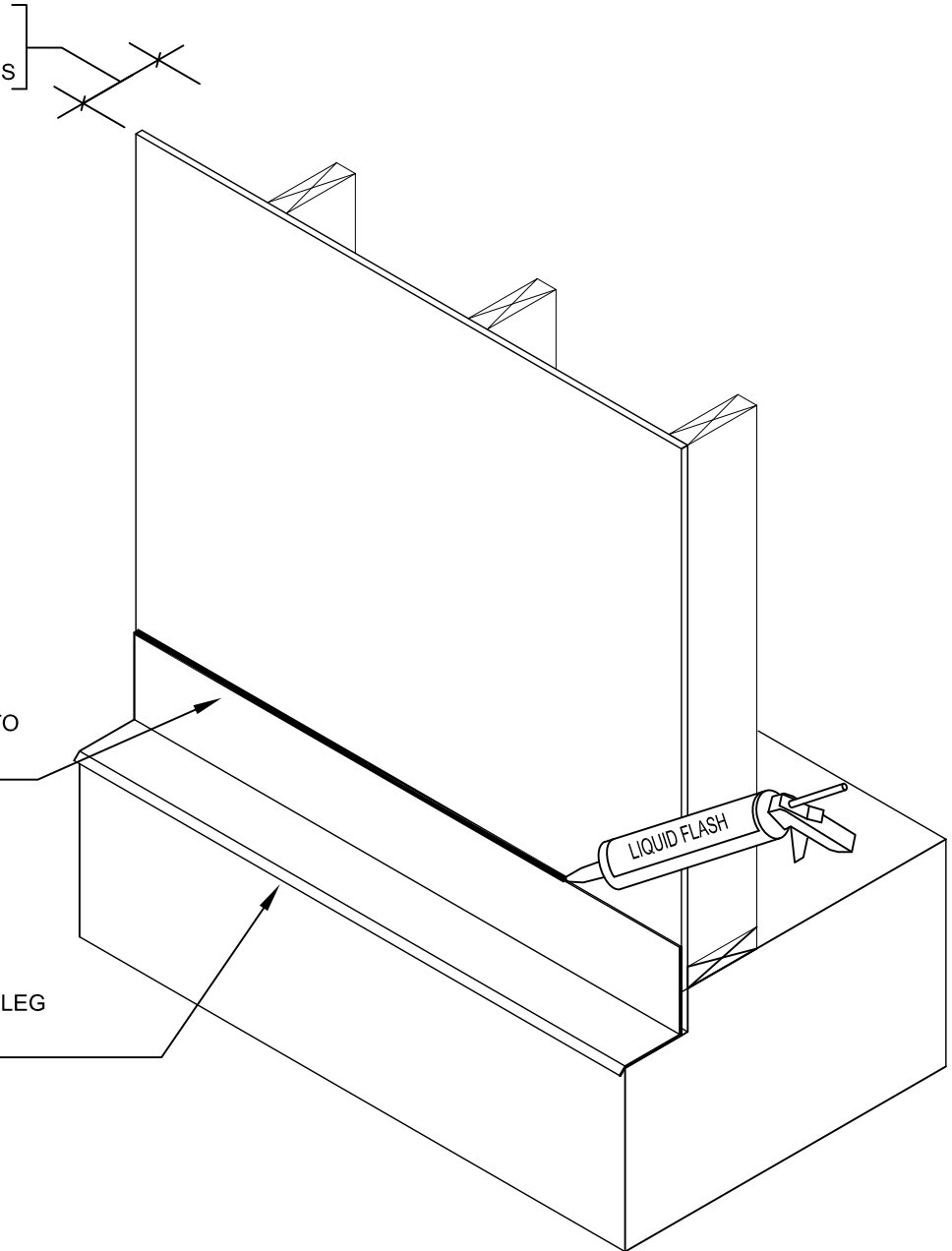


WALL ASSEMBLY
ZIP SYSTEM® SHEATHING
WOOD OR LT. GAUGE METAL STUDS

APPLY A BEAD OF LIQUID FLASH TO
THE TOP EDGE OF THE VERTICAL
FLASHING LEG.

FASTEN THE VERTICAL FLASHING LEG
TO THE VERTICAL WALL SURFACE
WITH MECHANICAL FASTENERS



DRAWING NOT TO SCALE

07-09-2012

Sales Office: 10925 David Taylor Drive - Suite 300 - Charlotte, NC 28262
Telephone: 800.933.9220 - Facsimile: 704.547.9228 - www.zipsystem.com

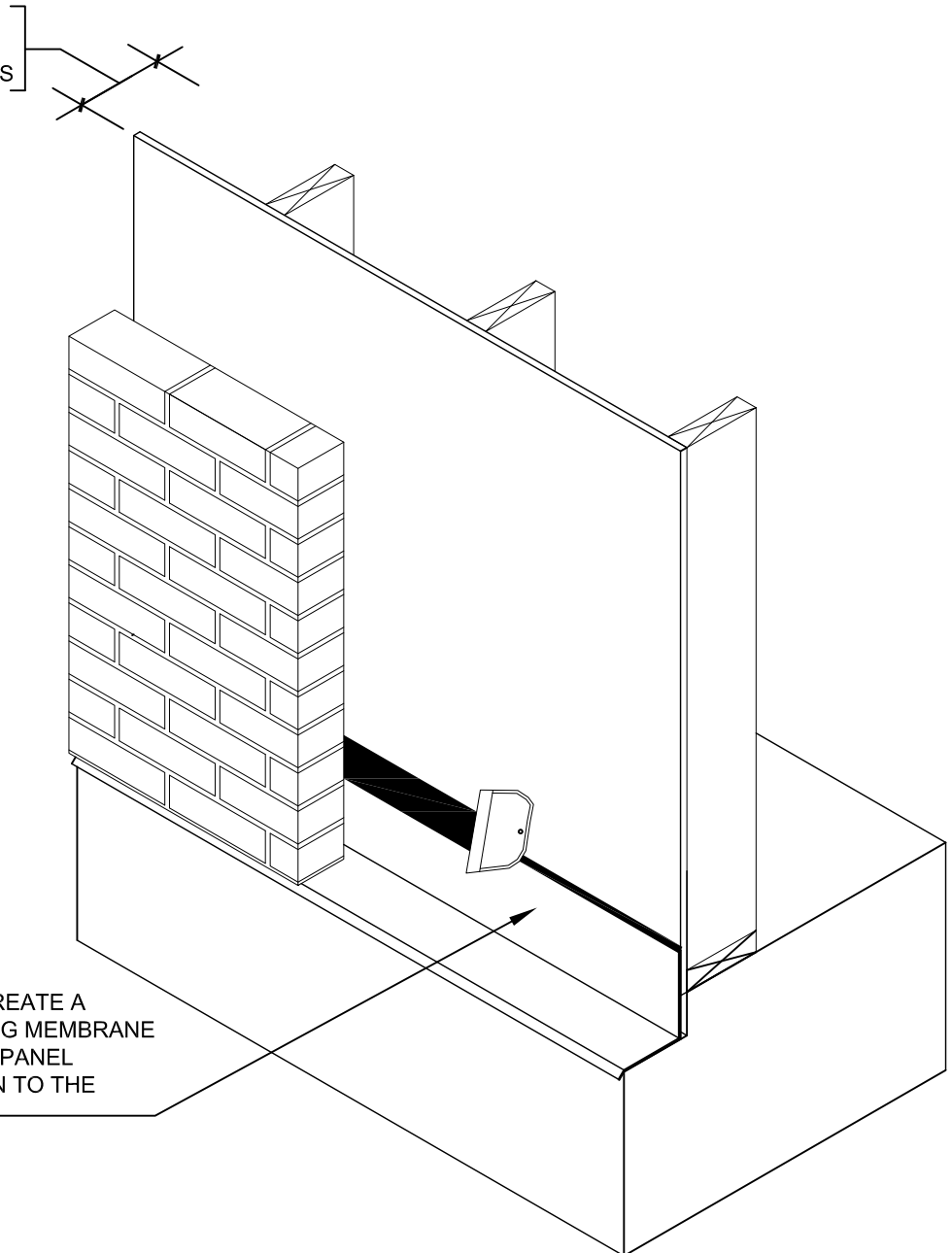
another innovation from



**ENGINEERED
WOODS**

These construction details are provided to assist in the installation of ZIP System® product(s) and may not apply to every situation. Manufacturer accepts no responsibility or liability for the use of these or other construction details.

WALL ASSEMBLY
ZIP SYSTEM® SHEATHING
WOOD OR LT. GAUGE METAL STUDS



SPREAD THE WET PRODUCT TO CREATE A
MONOLITHIC "CAP FLASH" FLASHING MEMBRANE
THAT EXTENDS 1-INCH ON TO THE PANEL
SURFACE AND AT LEAST 1-INCH ON TO THE
MECHANICAL FLASHING.

DRAWING NOT TO SCALE

07-09-2012

Sales Office: 10925 David Taylor Drive - Suite 300 - Charlotte, NC 28262
Telephone: 800.933.9220 - Facsimile: 704.547.9228 - www.zipsystem.com

another innovation from



**ENGINEERED
WOODS**

These construction details are provided to assist in the installation of ZIP System® product(s) and may not apply to every situation. Manufacturer accepts no responsibility or liability for the use of these or other construction details.