

WhisperRecessed™ VENTILATION FAN

FV-08VRL1

The Design Solution for Bathroom Fan/Light Combinations

- ENERGY STAR rated architectural grade recessed fan/light
- Quiet, energy efficient and powerful 80 CFM ventilation hidden above the ceiling
- Beautiful lighting with 6-1/2" aperture and advanced luminaire design
- Adjustable lamp positioning and deeper regression reduces glare

Additional Benefits

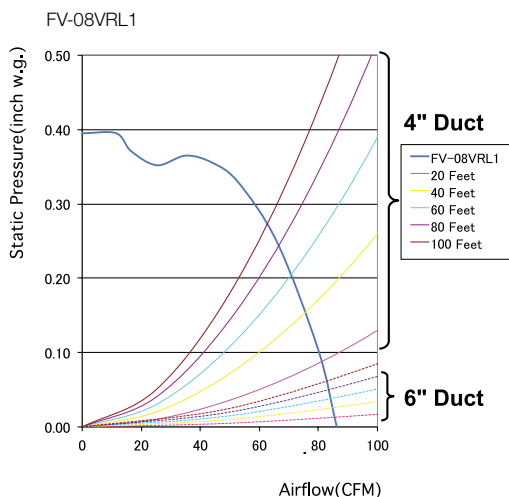
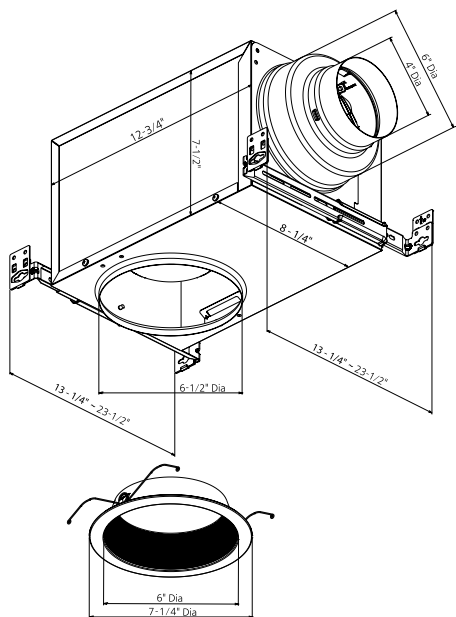
- Can be used to comply with ASHRAE 62.2, LEED, CalGreen and CA Title 24
- Dual 4" or 6" duct adapter
- UL listed for tub/shower enclosure when used with a GFCI branch circuit
- IC rated
- Includes (1) 18-Watt Self Ballasted GU24 Base CFL
- 3-year warranty



Panasonic ideas for life

The Innovations Design and Engineering Award is based upon descriptive materials submitted to the judges. CEA did not verify the accuracy of any submission or of any claims made and did not test the item to which the award was given.

WhisperRecessed™ Ventilation Fans



WhisperRecessed		FV-08VRL1	
Characteristics (HVI tested data for 0.1" S.P.)	Static Pressure in inches w.g.	0.1	0.25
	Air Volume (CFM)	80	66
	Noise (sones)	0.8	0.7
	Power Consumption (watts)	20.5	19.5
	Energy Efficiency (CFM/Watt)	4.0	3.4
	Speed (RPM)	1378	1501
	Current (amps)	0.17	0.17
	MAX. Current (amps)	0.19	
	Power Rating (V/Hz)	120/60	
	Specifications	Motor Type	AC
Type of Motor Bearing		Ball	
Thermal Fuse Protection		Yes	
Blower Wheel Type		Sirocco	
ENERGY STAR Qualified		Yes	
Installation	Duct Diameter (Inches)	4 & 6	
	Housing Collar Opening (Inches)	6-1/2" Round	
	Trim Outer Diameter (Inches)	7-1/4" Round	
Light Specifications	Lamp Watts	1 x 18	
	Color Rendering Index	>80	
	Color Temperature (Kelvin)	2,700	
	Rated Life (hours)	10,000	
	Lamp Model #	MLS18GUWW	
	Type of Lamp Socket	GU24	
Shipping	Gross Weight (lbs)	10.8	
Approved Code/ Standard/ Regulation	Washington VIAQ Code	Yes	
	Mfg in ISO 9001 Certified Facility	Yes	



INCLUDED: One 18-Watt GU24 Spiral CFL/2700 Kelvin/84 CRI/1380 Lumens each/ENERGY STAR® qualified/10,000 hours rated average life/equivalent to 75-Watt incandescent lamp/integral electronic ballast for flicker-free operation.

* Lamp contains mercury. Dispose of according to local, state and federal laws.



Printed with soy ink on 10% post-consumer recycled paper.

Panasonic Eco Solutions North America
Eco Products Division
 One Panasonic Way, 1H-3
 Secaucus, NJ 07094
 (201) 348-7000

For Distributor Order Information
 PHONE: 866-292-7299
 FAX: 888-553-0723

www.panasonic.com/building

ventfans@us.panasonic.com

Design and specifications subject to change without notice.