

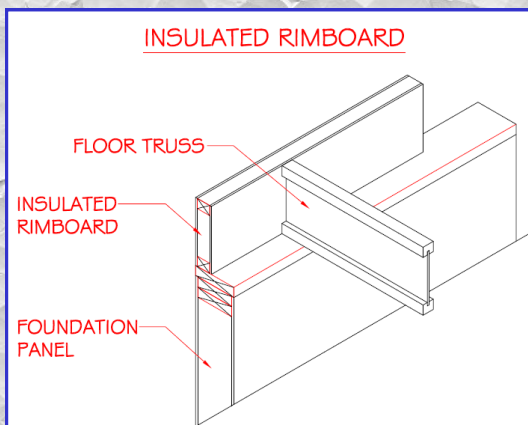
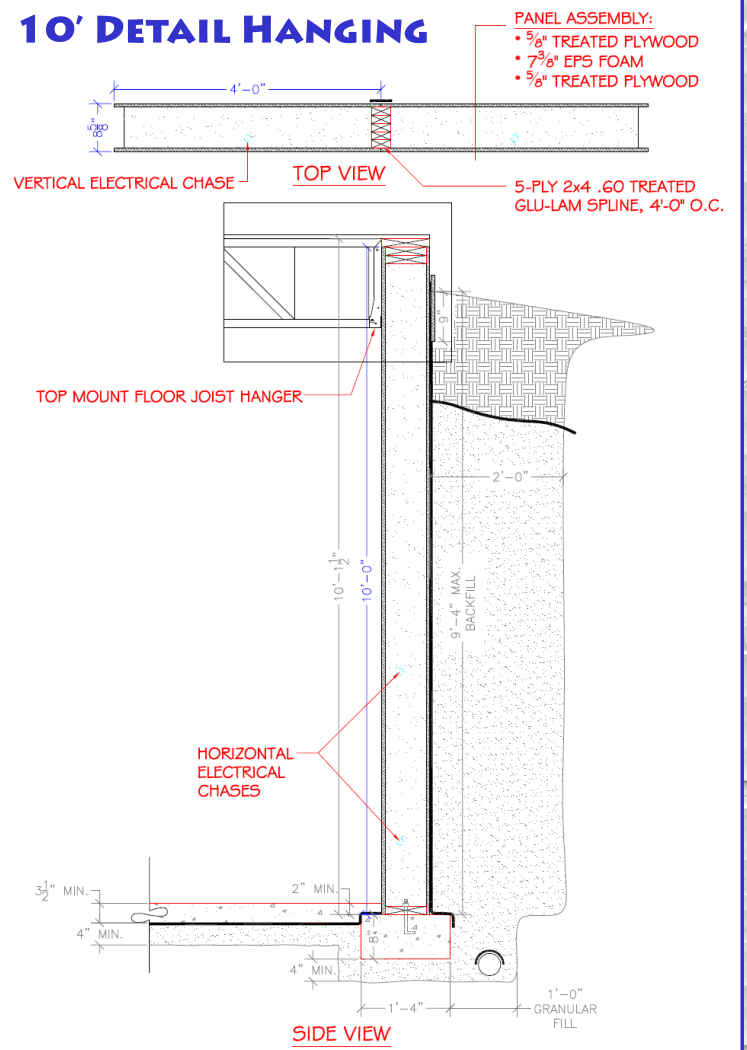
EXTREME PANEL PERMANENT WOOD FOUNDATIONS

EXTREME FOUNDATION PANEL BENEFITS:

- Can be used on concrete or pea-rock footing
- 5/8" Interior grade treated plywood
- 4' on center engineered post installed in panel
- 8' 9' 10' tall walls - 8 5/8" total thickness
- Engineered specs
- Fast installation
- Can erect all year around
- High R Value - 32
- Higher strength and efficiency than conventional block or poured cement
- Less expensive than ICFs
- Dry and warm - No musty damp smell
- Healthier environment - Mold resistant
- Interior is easier to finish
- Will not crack - Its structural integrity will always be maintained



10' DETAIL HANGING



Extreme Panel

TECHNOLOGIES, INC.

STRUCTURAL INSULATED PANELS

HANGING FLOOR SYSTEM:

Historically, floor systems are the least insulated area in the house

- ◆ Eliminate perimeter insulation – less labor
- ◆ Engineered hangers are used to hang floor system
- ◆ No labor insulating floors
- ◆ Extra strength with sub-floor tying in basement walls



FROST FOOTINGS & CRAWL SPACE PANELS:

- ◆ Heat and cool as part of structure
- ◆ Uses:
 - ⇒ Slab on grade
 - ⇒ Garages
 - ⇒ Walk-out walls
 - ⇒ Commercial buildings
- ◆ Keeps concrete floor warmer and less likely to crack

BENEFITS OF A SIPS FLOOR SYSTEM:

- ◆ NO CONCRETE
- ◆ Great for houses and additions
- ◆ Fast, easy construction
- ◆ Built in any climate and remote locations
- ◆ Feels like main level floor, not garage floor



475 East 4th St North • PO Box 435 • Cottonwood, MN 56229

800-977-2635 Fax: 507-423-5531

info@extremepanel.com

extremepanel.com

