

WhisperFresh™ Select Fresh Air Supply Fan

WhisperFresh™ Select
VENTILATION FAN

FV-15NLFS1



- Customizable fresh air supply fan featuring Pick-A-Flow™ technology – one fan, you choose the CFM (50-60-70-80-90-100-110-130-150 in CFM; 9 settings)
- Intelligent ECM motor with SmartFlow™ technology provides optimum CFM output for precision whole-house supply ventilation
- Operates as a stand-alone filtered supply fresh air solution to meet ASHRAE 62.2 requirements for make-up/ supply air
- Capable of communicating with Panasonic's acclaimed WhisperGreen® Select to create a balanced ventilation solution
- Incorporates adjustable high humidity and low temperature dials for easy adjustments in any climate zone
- HVI tested and certified with a MERV 13 filter (FV-FL1315NL1)
- MERV 13 filter included. MERV 8 and MERV 13 replacements available
- Can be used to comply with ASHRAE 62.2, LEED and CA Title 24

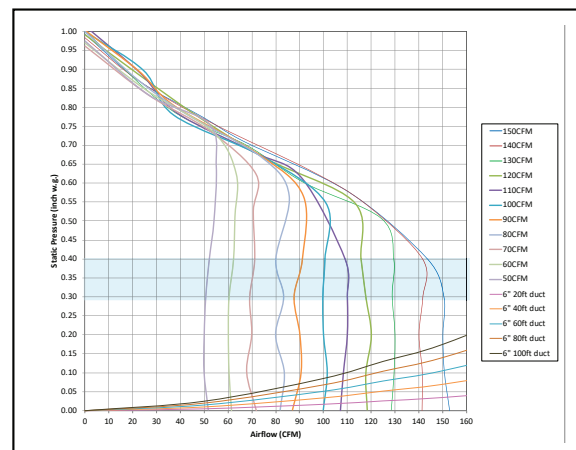
ADDITIONAL BENEFITS

- Can be used in conjunction with SelectCycler System® to create a wired, measurable balanced ventilation solution
- Can be used as a re-circulation filtration device in the home
- Can be used to create slight positive pressure within the home instead of using a Central HVAC
- Excellent fresh air solution in combination with ductless HVAC solutions
- Designed for use in conjunction with furnace blower in Combustion Appliance Zone (CAZ) depressurization situations
- Easy installation in new construction or retrofits



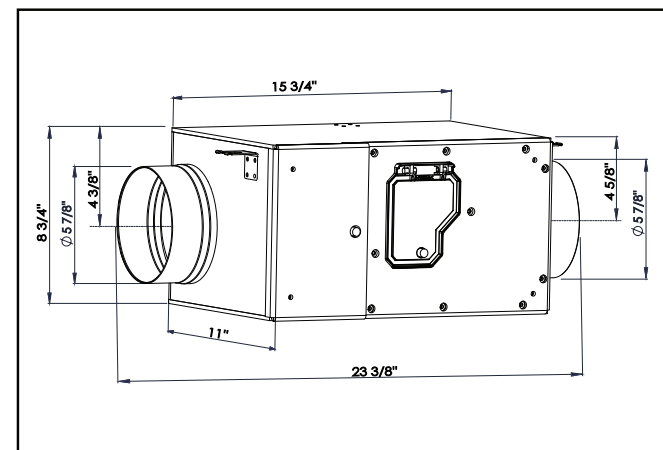
Specifications		WhisperFresh Select 6" Duct																																
		FV-15NLFS1 / MERV 13																																
Characteristics (HVI tested data for 0.1" S.P.)	Static Pressure in inches w.g.	0.2	0.3	0.4	0.2	0.3	0.4	0.2	0.3	0.4	0.2	0.3	0.4	0.2	0.3	0.4	0.2	0.3	0.4	0.2	0.3	0.4	0.2	0.3	0.4	0.2	0.3	0.4	0.2	0.3	0.4	0.2	0.3	0.4
	Air Volume (CFM)	150	150	130	140	140	130	130	129	130	120	118	116	110	110	109	100	100	100	90	88	90	80	80	80	70	69	70	60	60	60	50	50	50
	Power Consumption (watts)	27.3	32.0	-	24.8	29.0	-	22.6	25.0	-	19.4	23.0	-	16.7	20.0	-	15.3	18.0	21.0	13.5	15.0	19.0	12.4	14.0	17.0	10.0	13.0	15.0	9.3	11.0	14.0	8.2	10.0	12.0
	Energy Efficiency (CFM/Watt)	5.49	-	-	5.65	-	-	5.75	-	-	6.19	-	-	6.59	-	-	6.54	-	-	6.67	-	-	6.45	-	-	7.00	-	-	6.45	-	-	6.10	-	-
	Speed (RPM)	1314	-	-	1265	-	-	1235	-	-	1201	-	-	1152	-	-	1121	-	-	1086	-	-	1067	-	-	1033	-	-	1012	-	-	989	-	-
	Current (amps)	0.41	0.46	-	0.26	0.42	-	0.33	0.38	-	0.29	0.34	-	0.25	0.31	-	0.23	0.28	0.32	0.20	0.25	0.29	0.18	0.22	0.26	0.16	0.21	0.24	0.15	0.18	0.22	0.13	0.16	0.21
	MAX. Current (amps)	0.46																																
	Power Rating (V/Hz)	120/60																																
Specifications	Motor Type	ECM																																
	Type of Motor Bearing	Ball																																
	Thermal Fuse Protection	N/A (Electronically-Protected Limited)																																
	Blower Wheel Type	Sirocco																																
	ENERGY STAR Qualified	Yes																																
Installation	Duct Diameter (Inches)	6"																																
	Power Cord Included	Integrated 5.8 foot power cord																																
Shipping	Gross Weight (lbs)	17.4 (7.9kg)																																
Approved Code/Standard/Regulation	UL tub/Shower Enclosure	N/A																																
	Washington VIAQ Code	Yes																																
	Wall installation	No																																
	California Title 24 Compliant	Yes																																
	Mfg in ISO 9001 Certified Facility	Yes																																
	RoHS Compliant	Yes																																

FV-15NLFS1



HVI-Certified performance with MERV 13 filter installed

FV-15NLFS1



HVI-Certified performance with MERV 13 filter installed.



Reset Button – Convenient light indicator and unobtrusive alarm signal on the access panel help inform the homeowner when it's time to check and clean the (MERV 8/MERV 13) filter. Button resets every time customer changes filter.



CFM – Can be selected for 50/60/70/80/90/100/110/130/150 CFM (9 settings).



Humidity Setting – Customized fresh air supply based on humidity conditions of incoming air. Fan will automatically shut off (or not turn on) when the outside relative humidity is higher than the setting on the humidity dial (from 30% to 80% RH).



Temperature Setting – Customized low temperature setting will shut fan off when incoming supply air is too cold. Fan will turn off (or not turn on) when the outside temperature is lower than the setting value. (From 15°F to 40°F). Fan automatically stops operating when the incoming air is higher than 95°F.

Accessories (Sold Separately):

FV-FL0815NL1: MERV 8 Replacement Filter

FV-FL1315NL1: MERV 13 Replacement Filter



ECM Motor with SmartFlow™ Technology

WhisperFresh Select is designed to perform as rated. When the fan senses static pressure, its speed is automatically increased to ensure optimal CFM output. This feature provides peace of mind, as the installer doesn't have to worry about compromising the fan's performance, even with a complicated duct run.



Pick-A-Flow™ Airflow Technology

Built-in Pick-A-Flow Airflow selector provides the unique ability to select your required airflow (50-150 CFM, in 10 CFM increments) with the simple turn of a dial.



Panasonic Life Solutions Company of America
IAQ Division
Two Riverfront Plaza
Newark, NJ 07102
us.panasonic.com/ventfans

For Order Information
PHONE: 866-292-7299
FAX: 888-553-0723
ventfans@us.panasonic.com