

WhisperFresh™ Select

FV-15NLFS1

Specification Submittal Data / Panasonic Fresh Air Supply Fan

Description:

Customizable fresh air supply fan shall be low noise remote mount type rated for continuous run. ENERGY STAR® rated and fan shall be certified by the Home Ventilating Institute (HVI). Evaluated by Underwriters Laboratories and conform to both UL and cUL safety standards.

Motor/Blower:

- Fresh air supply rates shall be manually adjustable for 50-60-70-80-90-100-110-130-150 CFM.
- Four-pole totally enclosed condenser motor rated for continuous run.
- Power rating shall be 120 volts and 60 Hz.
- Motor equipped with thermal-cutoff fuse.
- MERV 13 filter included; MERV 8 and MERV 13 replacements available.
- ECM motor with Smartflow technology.

Housing:

- Galvanized steel wall sleeve with fully insulated exterior.
- Integrated 6" Duct collar.
- Includes gravity damper on supply air side of unit.
- Insulated housing to prevent condensation and noise.

Installation:

- Remote mount, two-way directional installation with 3 included brackets (hanger bars not included).
- Integrated 5.8 foot power cord.

Built-In Controls:

- Adjustable relative humidity level setting from 30% to 80% Relative Humidity (RH).
- Adjustable temperature control from 15°F to 40°F to shut off in-take air from entering the house.
- Built-in Plug 'n play module port with smart home capability.

Maintenance:

- MERV 13 filter included; MERV 8 and MERV 13 replacements available.
- Unobtrusive alarm notifies owner for filter check and maintenance.

Warranty:

- ECM Motor: 6 Years from original purchase date.
- All Other Parts: 3 Years from original purchase date.

Architectural Specifications:

Inline fan shall be remote mount, ENERGY STAR® certified, with no less than customizable from 50 to 150 CFM as certified by HVI at .2 static pressure in inches water gauge. Power consumption shall be no greater than 27.3 Watts and energy efficiency rating shall be no less than 5.49 CFM/Watt at 0.2 static pressure. The motor shall be totally enclosed, four pole condenser type engineered to run continuously. Power rating shall be 120v/60Hz with ENERGY STAR® Most Efficient designation. MERV 13 is a superior filter and is required in many cases by code or IAQ program recommendations. Housing shall be insulated to reduce condensation. Duct diameter shall be no less than 6". Fan shall be UL and cUL listed for tub/shower enclosure when GFCI protected. Brackets shall be provided for joist, truss or suspension installations. Can be used to comply with ASHRAE 62.2, LEED and CA Title 24.



Reset Button

Convenient light indicator and unobtrusive alarm signal on the access panel help inform the homeowner when it's time to check and clean the (MERV 8/MERV 13) filter. Button resets every time customer changes filter.



CFM

Can be selected for 50/60/70/80/90/100/110/130/150 CFM (9 settings).



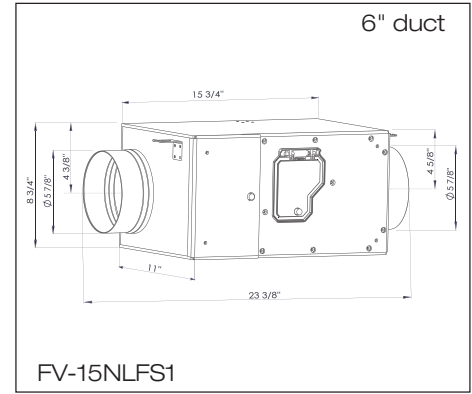
Humidity Setting

Customized fresh air supply based on humidity conditions of incoming air. Fan will automatically shut off (or not turn on) when the outside relative humidity is higher than the setting on the humidity dial (from 30% to 80% RH).

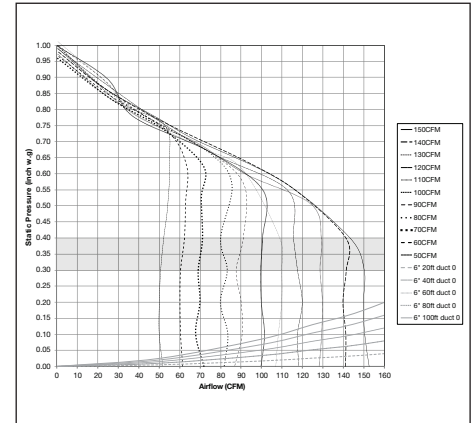


Temperature Setting

Customized low temperature setting will shut fan off when incoming supply air is too cold. Fan will turn off (or not turn on) when the outside temperature is lower than the setting value. (From 15°F to 40°F). Fan automatically stops operating when the incoming air is higher than 95°F.



Performance Curve 6" duct



HVI-Certified performance with MERV 13 filter installed

For complete Installation Instructions visit us.panasonic.com/ventfans

Model	Quantity	Comments	Project:
			Location:
			Architect:
			Engineer:
			Contractor:
			Submitted by:
			Date:

*Some level not certified by Home Ventilation Institute.

Specification Submittal Data / Panasonic Fresh Air Supply Fan (Continued)



ECM Motor Technology

When supply fan senses static pressure, its speed is automatically increased to ensure that the desired CFM is not compromised, which allows the supply fan to perform as rated.

Specifications: WhisperFresh Select FV-15NLFS1		6" Duct										
Ventilation Fan Characteristics (HVI Certified Data)	Static Pressure in inches w.g.	0.2										
	Air Volume (CFM)	150	140	130	120	110	100	90	80	70	60	50
	Power Consumption (watts)	27.3	24.8	22.6	19.4	16.7	15.3	13.5	12.4	10.0	9.3	8.2
	Energy Efficiency (CFM/Watt)	5.49	5.65	5.75	6.19	6.59	6.54	6.67	6.45	7.00	6.45	6.10
	Speed (RPM)	1314	1265	1235	1201	1152	1121	1086	1067	1033	1012	989
	Current (amps)	0.41	0.26	0.33	0.29	0.25	0.23	0.20	0.18	0.16	0.15	0.13
	MAX. Current (amps)	0.46										
	Power Rating (V/Hz)	120/60										
	ENERGY STAR rated	Yes										

HVI-Certified performance with MERV 13 filter installed

Specifications: WhisperFresh Select FV-15NLFS1		6" Duct										
Ventilation Fan Characteristics (HVI Certified Data)	Static Pressure in inches w.g.	0.3										
	Air Volume (CFM)	150	140	129	118	110	100	88	80	69	60	50
	Power Consumption (watts)	32.0	29.0	25.0	23.0	20.0	18.0	15.0	14.0	13.0	11.0	10.0
	Energy Efficiency (CFM/Watt)	-	-	-	-	-	-	-	-	-	-	-
	Speed (RPM)	-	-	-	-	-	-	-	-	-	-	-
	Current (amps)	0.46	0.42	0.38	0.34	0.31	0.28	0.25	0.22	0.21	0.18	0.16
	MAX. Current (amps)	0.46										
	Power Rating (V/Hz)	120/60										
	ENERGY STAR rated	Yes										

HVI-Certified performance with MERV 13 filter installed

Specifications: WhisperFresh Select FV-15NLFS1		6" Duct										
Ventilation Fan Characteristics (HVI Certified Data)	Static Pressure in inches w.g.	0.4										
	Air Volume (CFM)	130	130	130	116	109	100	90	80	70	60	50
	Power Consumption (watts)	-	-	-	-	-	21.0	19.0	17.0	15.0	14.0	12.0
	Energy Efficiency (CFM/Watt)	-	-	-	-	-	-	-	-	-	-	-
	Speed (RPM)	-	-	-	-	-	-	-	-	-	-	-
	Current (amps)	-	-	-	-	-	0.32	0.29	0.26	0.24	0.22	0.21
	MAX. Current (amps)	0.46										
	Power Rating (V/Hz)	120/60										
	ENERGY STAR rated	Yes										

HVI-Certified performance with MERV 13 filter installed

Panasonic Life Solutions Company of America
IAQ Division
 Two Riverfront Plaza
 Newark, NJ 07102

us.panasonic.com/ventfans



IAQ20188ST-r5