

For proper performance of DELTA®-DRY ensure top and bottom remain open to allow ventilation and drainage

SUBSTANTIAL EFFORT HAS BEEN MADE TO ENSURE THAT THE INFORMATION IN THIS DETAIL DRAWING IS ACCURATE. DÖRKEN SYSTEMS INC. CANNOT ACCEPT RESPONSIBILITY FOR ANY ERRORS OR OVERSIGHTS IN THE USE OF THIS MATERIAL OR IN THE PREPARATION OF ARCHITECTURAL OR ENGINEERING PLANS. THE DESIGN PROFESSIONAL MUST RECOGNIZE THAT NO DESIGN DETAIL CAN SUBSTITUTE FOR EXPERIENCED ENGINEERING AND PROFESSIONAL JUDGEMENT.

TITLE:

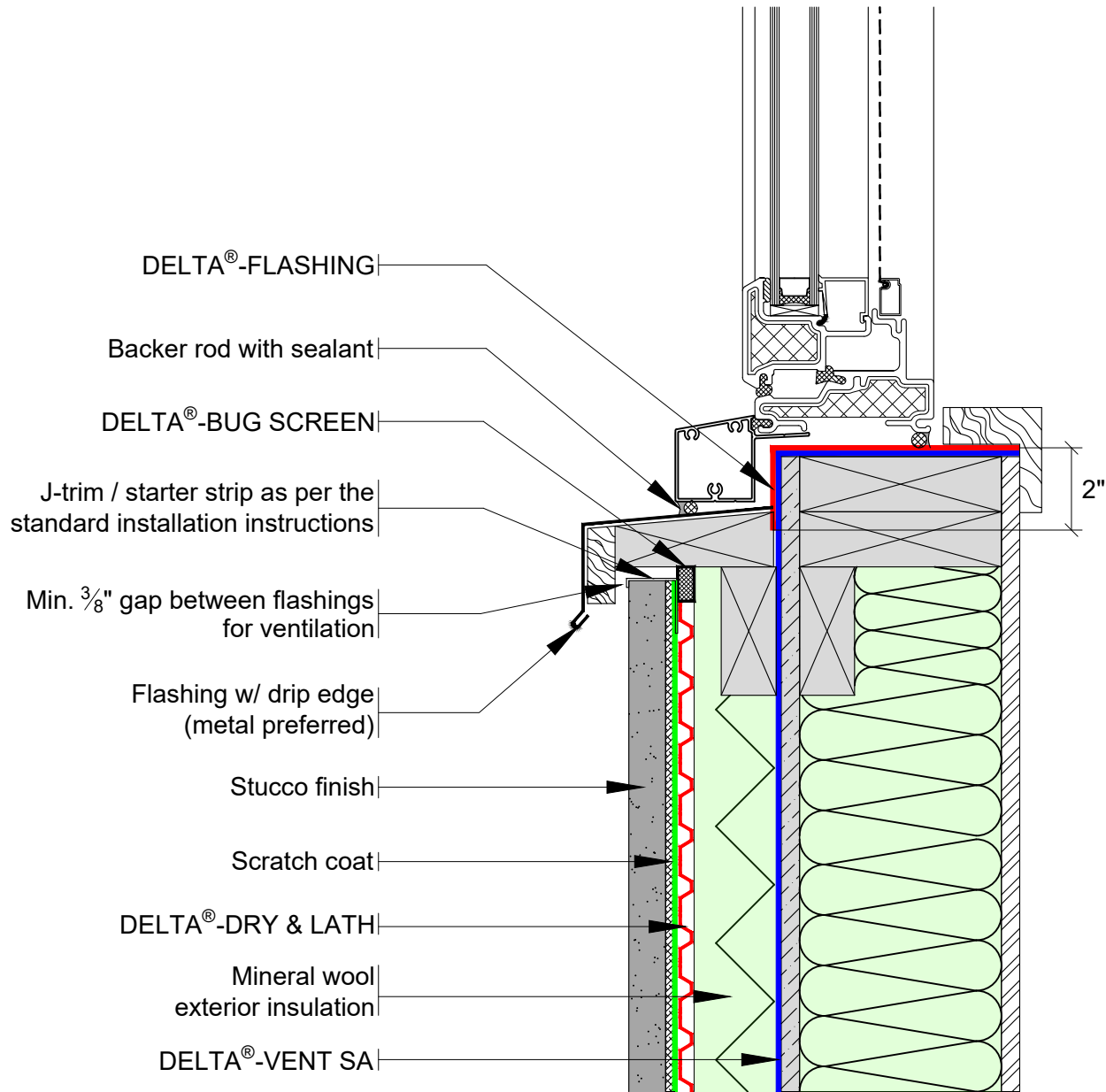
DELTA®-DRY & LATH WITH EXTERIOR INSULATION TYPICAL BASE OF WALL AT FOUNDATION

DRAWN BY: Krzysztof Apriasz C. Tech. CPHC®

DÖRKEN

DELTA®

4655 DELTA WAY BEAMSVILLE, ON.
L3J 0T6 CANADA



For proper performance of DELTA®-DRY ensure top and bottom remain open to allow ventilation and drainage

SUBSTANTIAL EFFORT HAS BEEN MADE TO ENSURE THAT THE INFORMATION IN THIS DETAIL DRAWING IS ACCURATE. DÖRKEN SYSTEMS INC. CANNOT ACCEPT RESPONSIBILITY FOR ANY ERRORS OR OVERSIGHTS IN THE USE OF THIS MATERIAL OR IN THE PREPARATION OF ARCHITECTURAL OR ENGINEERING PLANS. THE DESIGN PROFESSIONAL MUST RECOGNIZE THAT NO DESIGN DETAIL CAN SUBSTITUTE FOR EXPERIENCED ENGINEERING AND PROFESSIONAL JUDGEMENT.

TITLE:

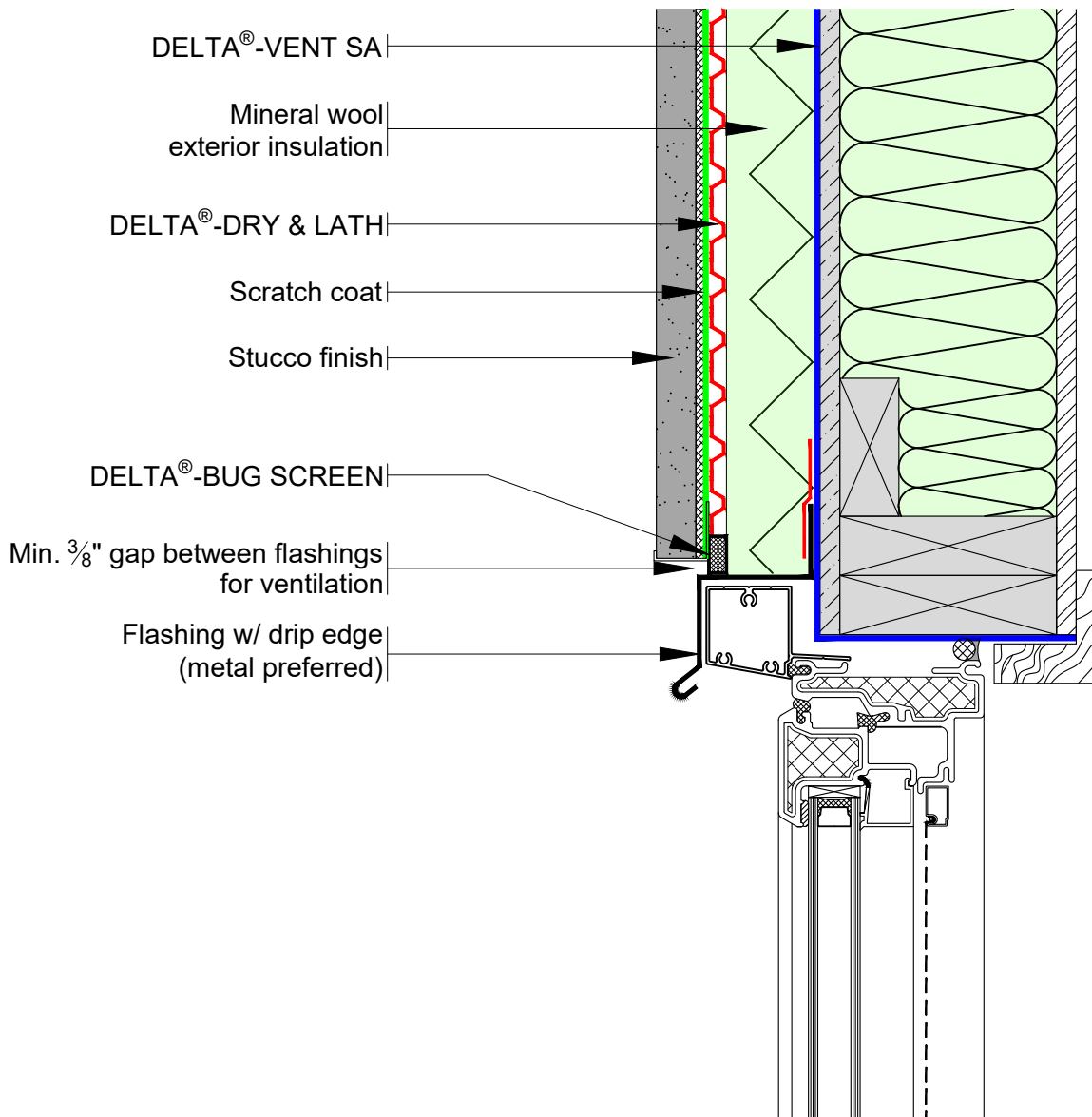
DELTA®-DRY & LATH WITH EXTERIOR INSULATION TYPICAL WINDOW SILL DETAIL

DRAWN BY: Krzysztof Apriasz C. Tech. CPHC®

DÖRKEN

DELTA®

4655 DELTA WAY BEAMSVILLE, ON.
L3J 0T6 CANADA



For proper performance of DELTA®-DRY ensure top and bottom remain open to allow ventilation and drainage

SUBSTANTIAL EFFORT HAS BEEN MADE TO ENSURE THAT THE INFORMATION IN THIS DETAIL DRAWING IS ACCURATE. DÖRKEN SYSTEMS INC. CANNOT ACCEPT RESPONSIBILITY FOR ANY ERRORS OR OVERSIGHTS IN THE USE OF THIS MATERIAL OR IN THE PREPARATION OF ARCHITECTURAL OR ENGINEERING PLANS. THE DESIGN PROFESSIONAL MUST RECOGNIZE THAT NO DESIGN DETAIL CAN SUBSTITUTE FOR EXPERIENCED ENGINEERING AND PROFESSIONAL JUDGEMENT.

TITLE:

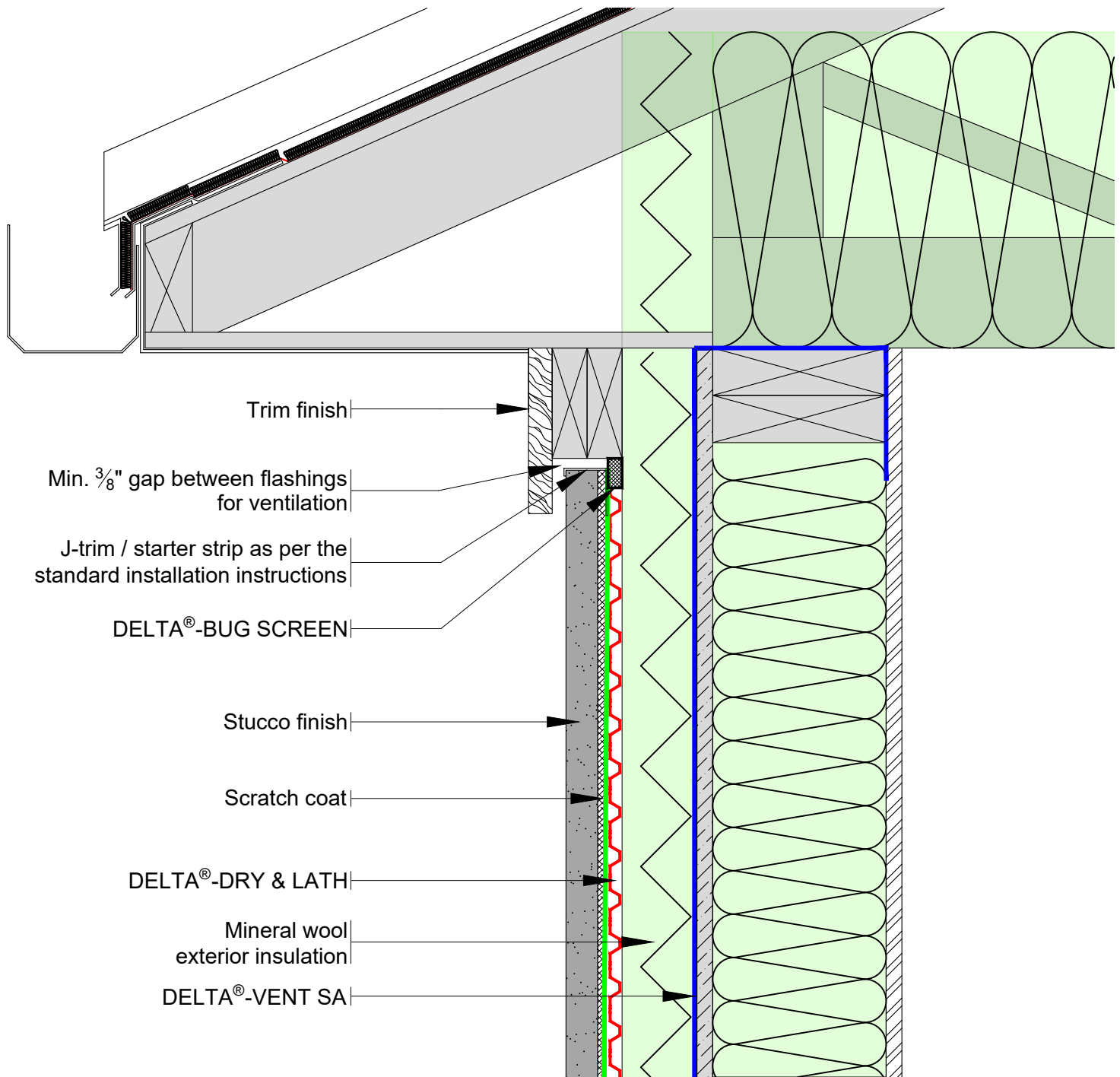
DELTA®-DRY & LATH WITH EXTERIOR INSULATION TYPICAL WINDOW HEAD DETAIL

DRAWN BY: Krzysztof Apriasz C. Tech. CPHC®

DÖRKEN

DELTA®

4655 DELTA WAY BEAMSVILLE, ON.
L3J 0T6 CANADA



For proper performance of DELTA[®]-DRY ensure top and bottom remain open to allow ventilation and drainage

SUBSTANTIAL EFFORT HAS BEEN MADE TO ENSURE THAT THE INFORMATION IN THIS DETAIL DRAWING IS ACCURATE. DÖRKEN SYSTEMS INC. CANNOT ACCEPT RESPONSIBILITY FOR ANY ERRORS OR OVERSIGHTS IN THE USE OF THIS MATERIAL OR IN THE PREPARATION OF ARCHITECTURAL OR ENGINEERING PLANS. THE DESIGN PROFESSIONAL MUST RECOGNIZE THAT NO DESIGN DETAIL CAN SUBSTITUTE FOR EXPERIENCED ENGINEERING AND PROFESSIONAL JUDGEMENT.

TITLE:

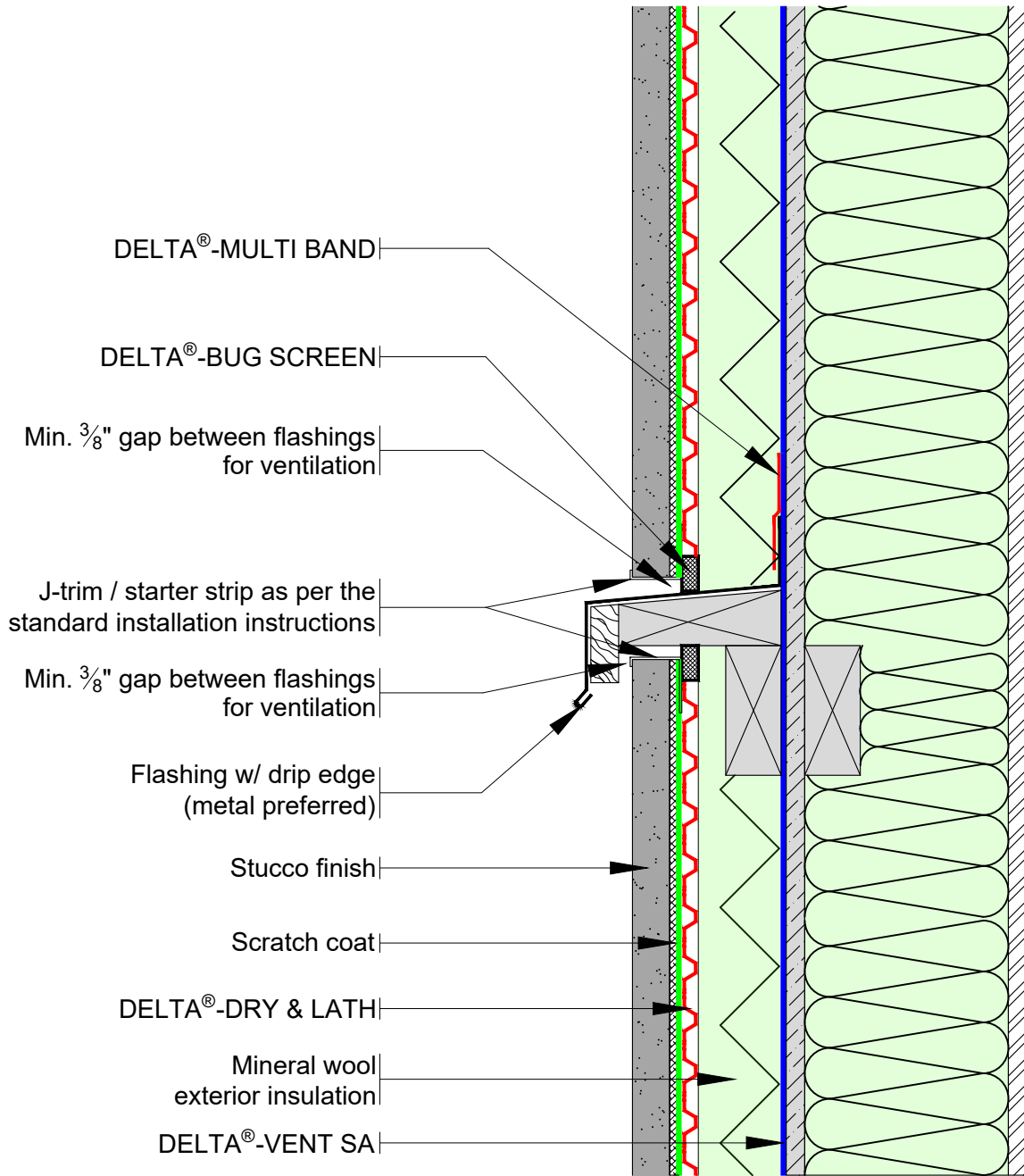
DELTA[®]-DRY & LATH WITH EXTERIOR INSULATION TOP OF WALL DETAIL

DRAWN BY: Krzysztof Apiasz C. Tech. CPHC[®]

DÖRKEN

DELTA[®]

4655 DELTA WAY BEAMSVILLE, ON.
L3J 0T6 CANADA



For proper performance of DELTA®-DRY ensure top and bottom remain open to allow ventilation and drainage

SUBSTANTIAL EFFORT HAS BEEN MADE TO ENSURE THAT THE INFORMATION IN THIS DETAIL DRAWING IS ACCURATE. DÖRKEN SYSTEMS INC. CANNOT ACCEPT RESPONSIBILITY FOR ANY ERRORS OR OVERSIGHTS IN THE USE OF THIS MATERIAL OR IN THE PREPARATION OF ARCHITECTURAL OR ENGINEERING PLANS. THE DESIGN PROFESSIONAL MUST RECOGNIZE THAT NO DESIGN DETAIL CAN SUBSTITUTE FOR EXPERIENCED ENGINEERING AND PROFESSIONAL JUDGEMENT.

TITLE:

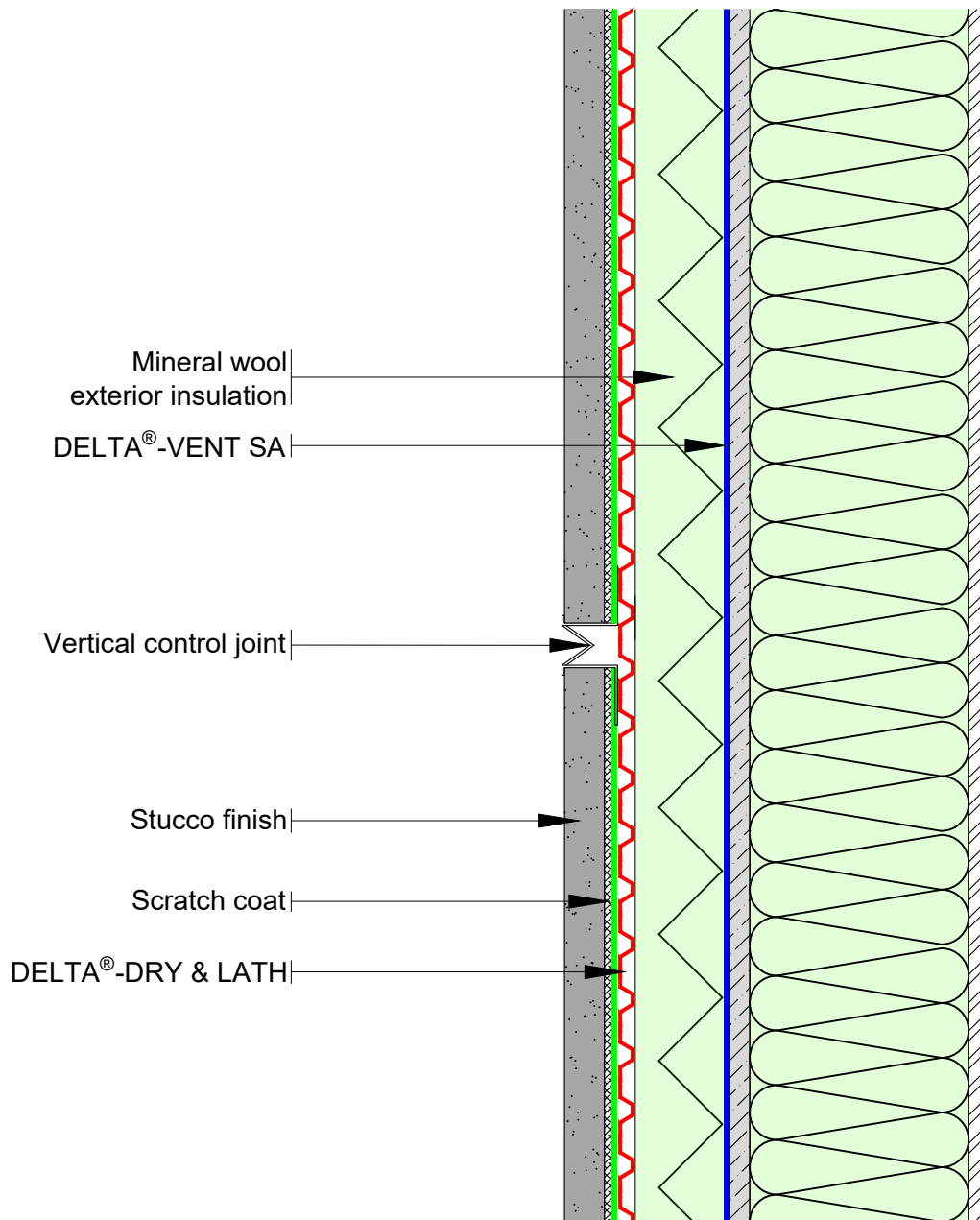
DELTA®-DRY & LATH WITH EXTERIOR INSULATION TYPICAL TRANSITION DETAIL

DRAWN BY: Krzysztof Apriasz C. Tech. CPHC®

DÖRKEN

DELTA®

4655 DELTA WAY BEAMSVILLE, ON.
 L3J 0T6 CANADA



For proper performance of DELTA®-DRY ensure top and bottom remain open to allow ventilation and drainage

SUBSTANTIAL EFFORT HAS BEEN MADE TO ENSURE THAT THE INFORMATION IN THIS DETAIL DRAWING IS ACCURATE. DÖRKEN SYSTEMS INC. CANNOT ACCEPT RESPONSIBILITY FOR ANY ERRORS OR OVERSIGHTS IN THE USE OF THIS MATERIAL OR IN THE PREPARATION OF ARCHITECTURAL OR ENGINEERING PLANS. THE DESIGN PROFESSIONAL MUST RECOGNIZE THAT NO DESIGN DETAIL CAN SUBSTITUTE FOR EXPERIENCED ENGINEERING AND PROFESSIONAL JUDGEMENT.

TITLE:

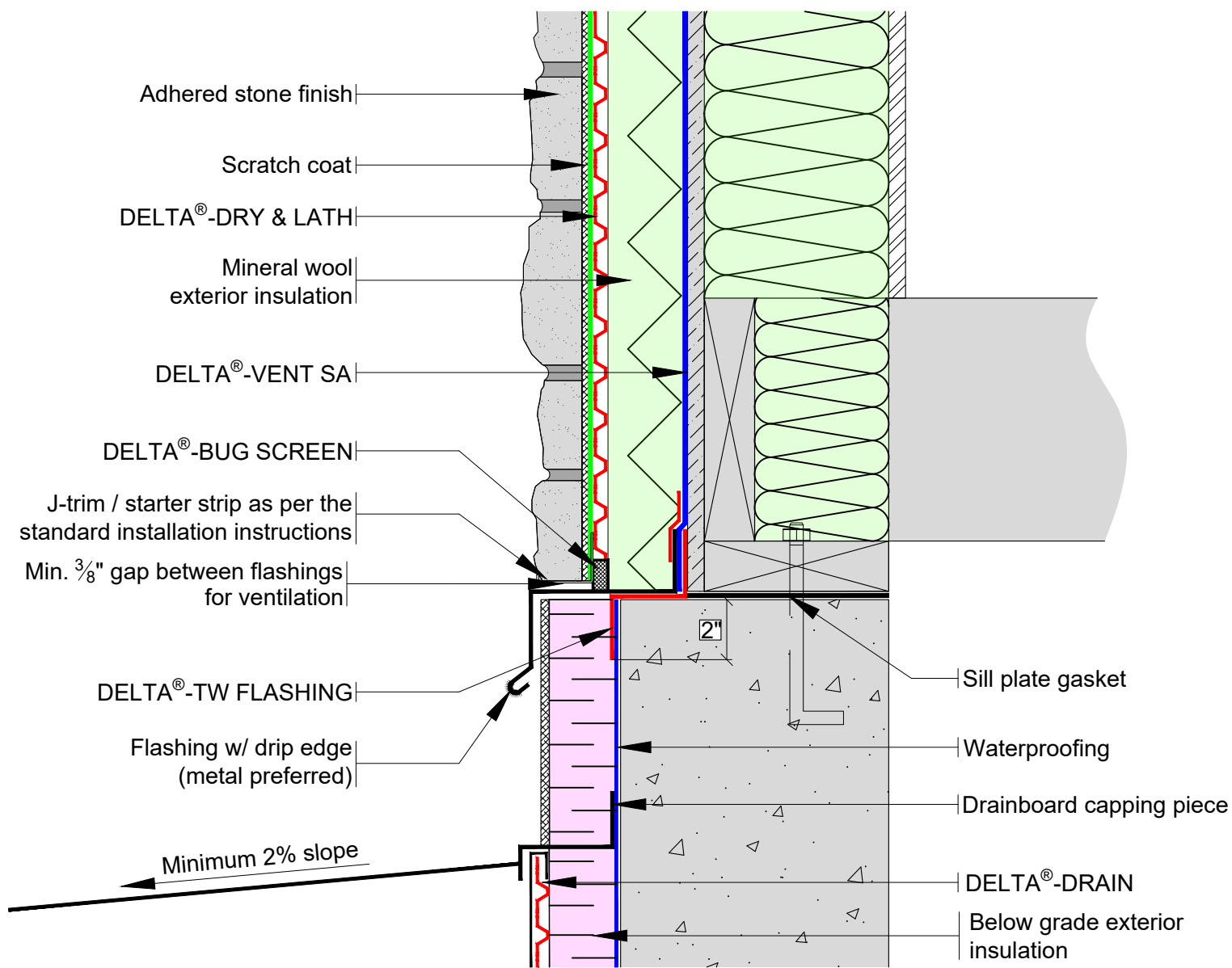
DELTA®-DRY & LATH WITH EXTERIOR INSULATION TYPICAL VERTICAL CONTROL JOINT

DRAWN BY: Krzysztof Apriasz C. Tech. CPHC®

DÖRKEN

DELTA®

4655 DELTA WAY BEAMSVILLE, ON.
L3J 0T6 CANADA



For proper performance of DELTA®-DRY ensure top and bottom remain open to allow ventilation and drainage

SUBSTANTIAL EFFORT HAS BEEN MADE TO ENSURE THAT THE INFORMATION IN THIS DETAIL DRAWING IS ACCURATE. DÖRKEN SYSTEMS INC. CANNOT ACCEPT RESPONSIBILITY FOR ANY ERRORS OR OVERSIGHTS IN THE USE OF THIS MATERIAL OR IN THE PREPARATION OF ARCHITECTURAL OR ENGINEERING PLANS. THE DESIGN PROFESSIONAL MUST RECOGNIZE THAT NO DESIGN DETAIL CAN SUBSTITUTE FOR EXPERIENCED ENGINEERING AND PROFESSIONAL JUDGEMENT.

TITLE:

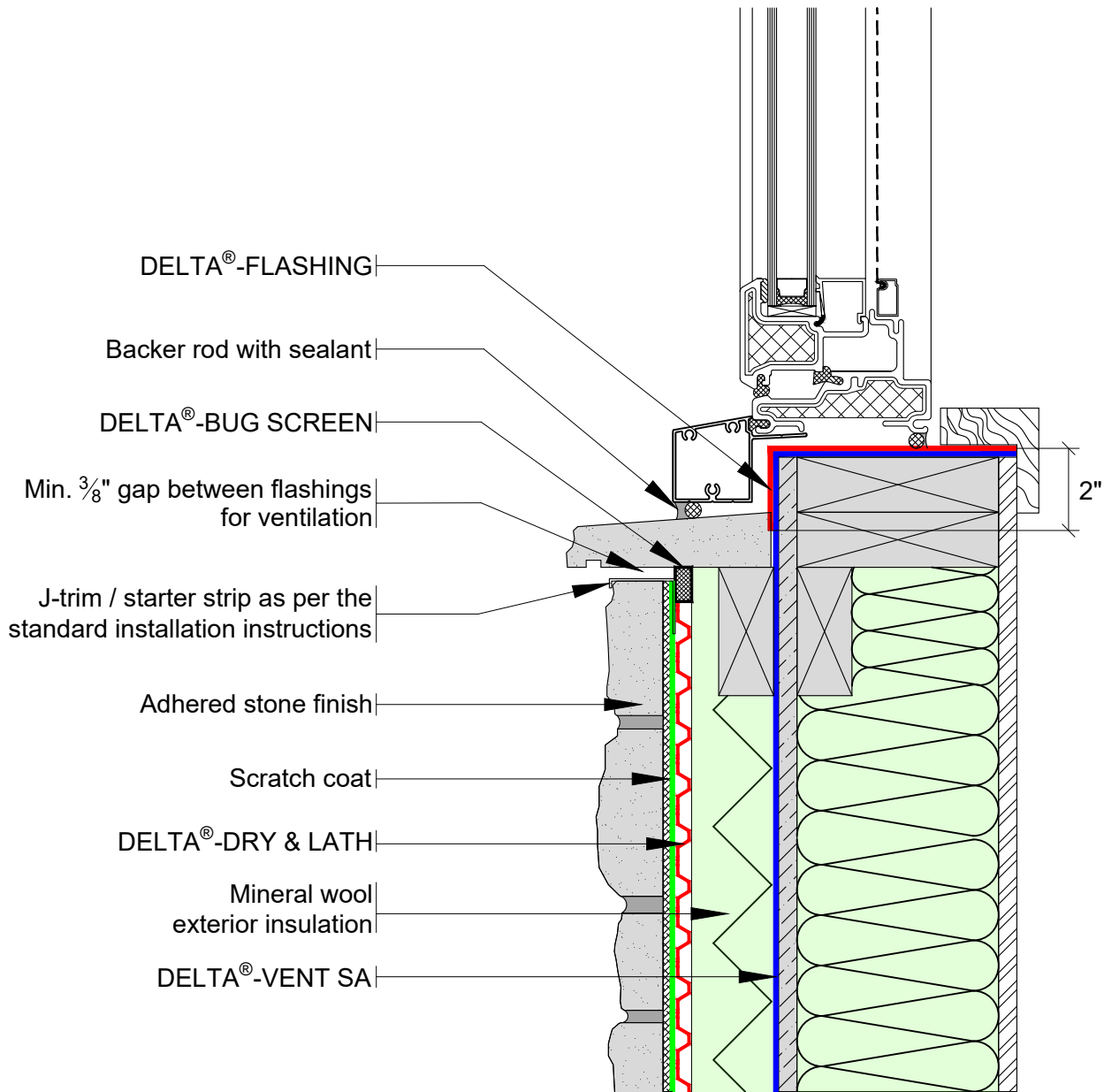
DELTA®-DRY & LATH WITH EXTERIOR INSULATION TYPICAL BASE OF WALL AT FOUNDATION

DRAWN BY: Krzysztof Apiasz C. Tech. CPHC®

DÖRKEN

DELTA®

4655 DELTA WAY BEAMSVILLE, ON.
 L3J 0T6 CANADA



For proper performance of DELTA®-DRY ensure top and bottom remain open to allow ventilation and drainage

SUBSTANTIAL EFFORT HAS BEEN MADE TO ENSURE THAT THE INFORMATION IN THIS DETAIL DRAWING IS ACCURATE. DÖRKEN SYSTEMS INC. CANNOT ACCEPT RESPONSIBILITY FOR ANY ERRORS OR OVERSIGHTS IN THE USE OF THIS MATERIAL OR IN THE PREPARATION OF ARCHITECTURAL OR ENGINEERING PLANS. THE DESIGN PROFESSIONAL MUST RECOGNIZE THAT NO DESIGN DETAIL CAN SUBSTITUTE FOR EXPERIENCED ENGINEERING AND PROFESSIONAL JUDGEMENT.

TITLE:

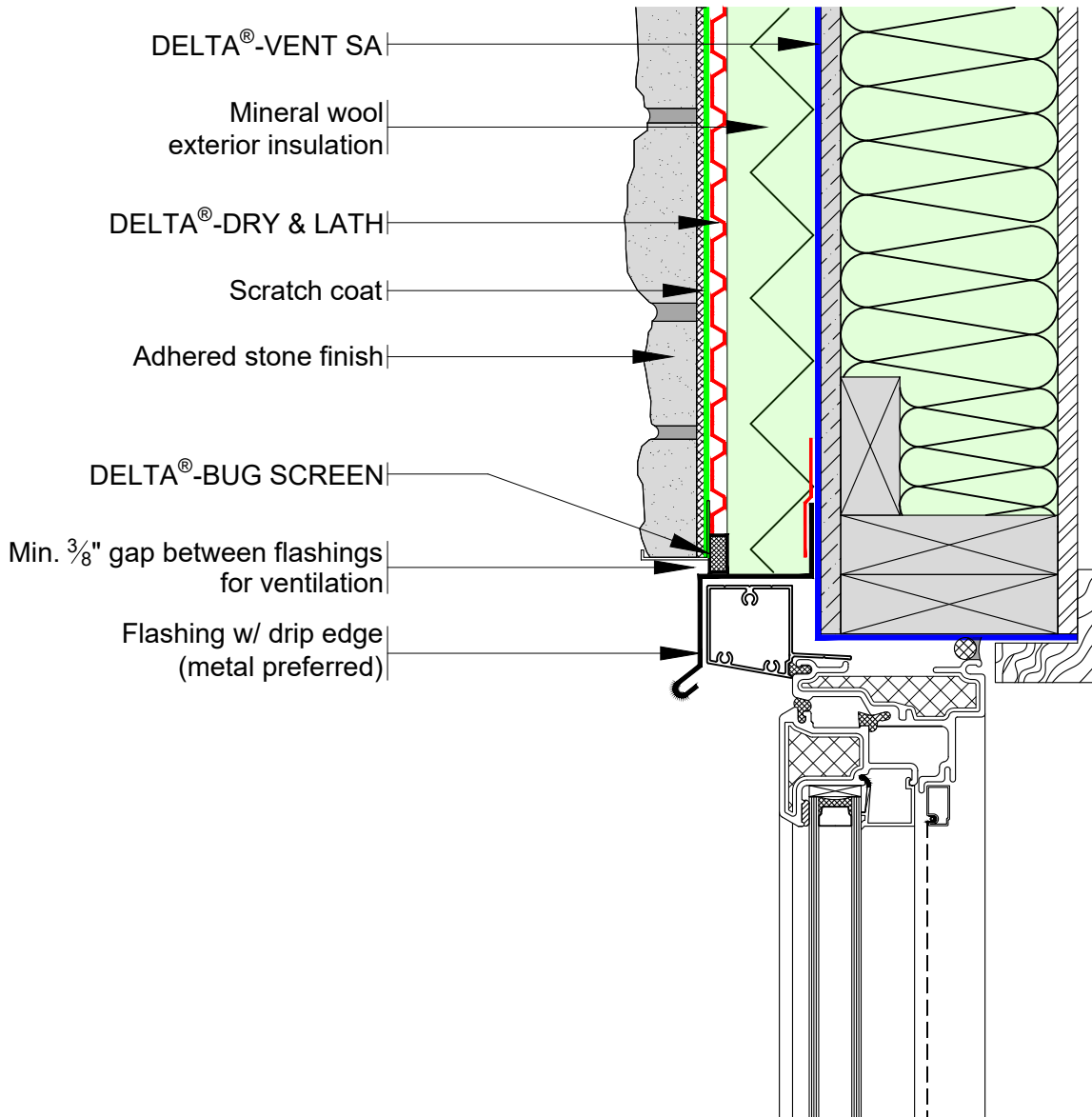
DELTA®-DRY & LATH WITH EXTERIOR INSULATION TYPICAL WINDOW SILL DETAIL

DRAWN BY: Krzysztof Apiasz C. Tech. CPHC®

DÖRKEN

DELTA®

4655 DELTA WAY BEAMSVILLE, ON.
L3J 0T6 CANADA



For proper performance of DELTA®-DRY ensure top and bottom remain open to allow ventilation and drainage

SUBSTANTIAL EFFORT HAS BEEN MADE TO ENSURE THAT THE INFORMATION IN THIS DETAIL DRAWING IS ACCURATE. DÖRKEN SYSTEMS INC. CANNOT ACCEPT RESPONSIBILITY FOR ANY ERRORS OR OVERSIGHTS IN THE USE OF THIS MATERIAL OR IN THE PREPARATION OF ARCHITECTURAL OR ENGINEERING PLANS. THE DESIGN PROFESSIONAL MUST RECOGNIZE THAT NO DESIGN DETAIL CAN SUBSTITUTE FOR EXPERIENCED ENGINEERING AND PROFESSIONAL JUDGEMENT.

TITLE:

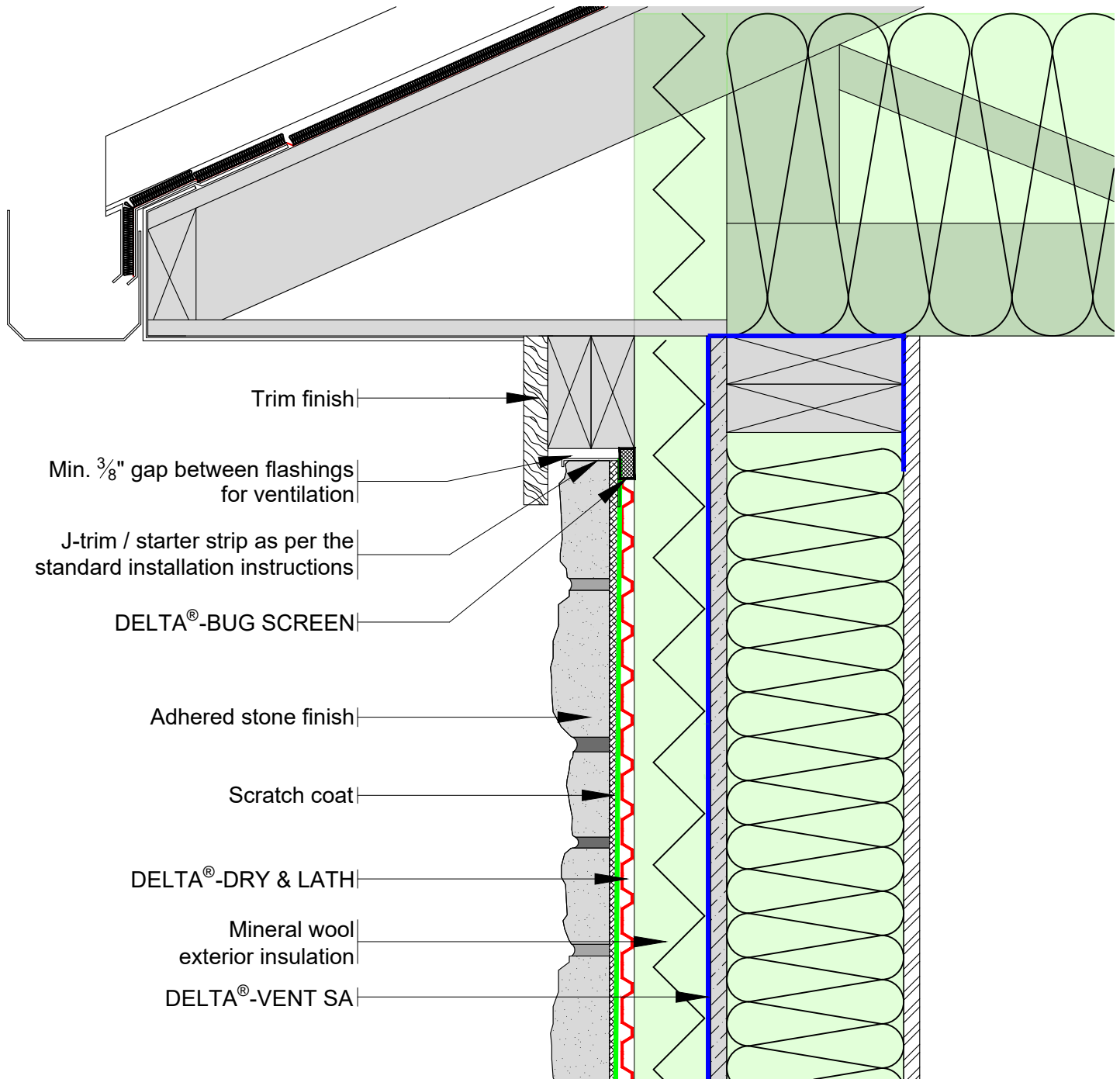
DELTA®-DRY & LATH WITH EXTERIOR INSULATION TYPICAL WINDOW HEAD DETAIL

DRAWN BY: Krzysztof Apriasz C. Tech. CPHC®

DÖRKEN

DELTA®

4655 DELTA WAY BEAMSVILLE, ON.
L3J 0T6 CANADA



For proper performance of DELTA®-DRY ensure top and bottom remain open to allow ventilation and drainage

SUBSTANTIAL EFFORT HAS BEEN MADE TO ENSURE THAT THE INFORMATION IN THIS DETAIL DRAWING IS ACCURATE. DÖRKEN SYSTEMS INC. CANNOT ACCEPT RESPONSIBILITY FOR ANY ERRORS OR OVERSIGHTS IN THE USE OF THIS MATERIAL OR IN THE PREPARATION OF ARCHITECTURAL OR ENGINEERING PLANS. THE DESIGN PROFESSIONAL MUST RECOGNIZE THAT NO DESIGN DETAIL CAN SUBSTITUTE FOR EXPERIENCED ENGINEERING AND PROFESSIONAL JUDGEMENT.

TITLE:

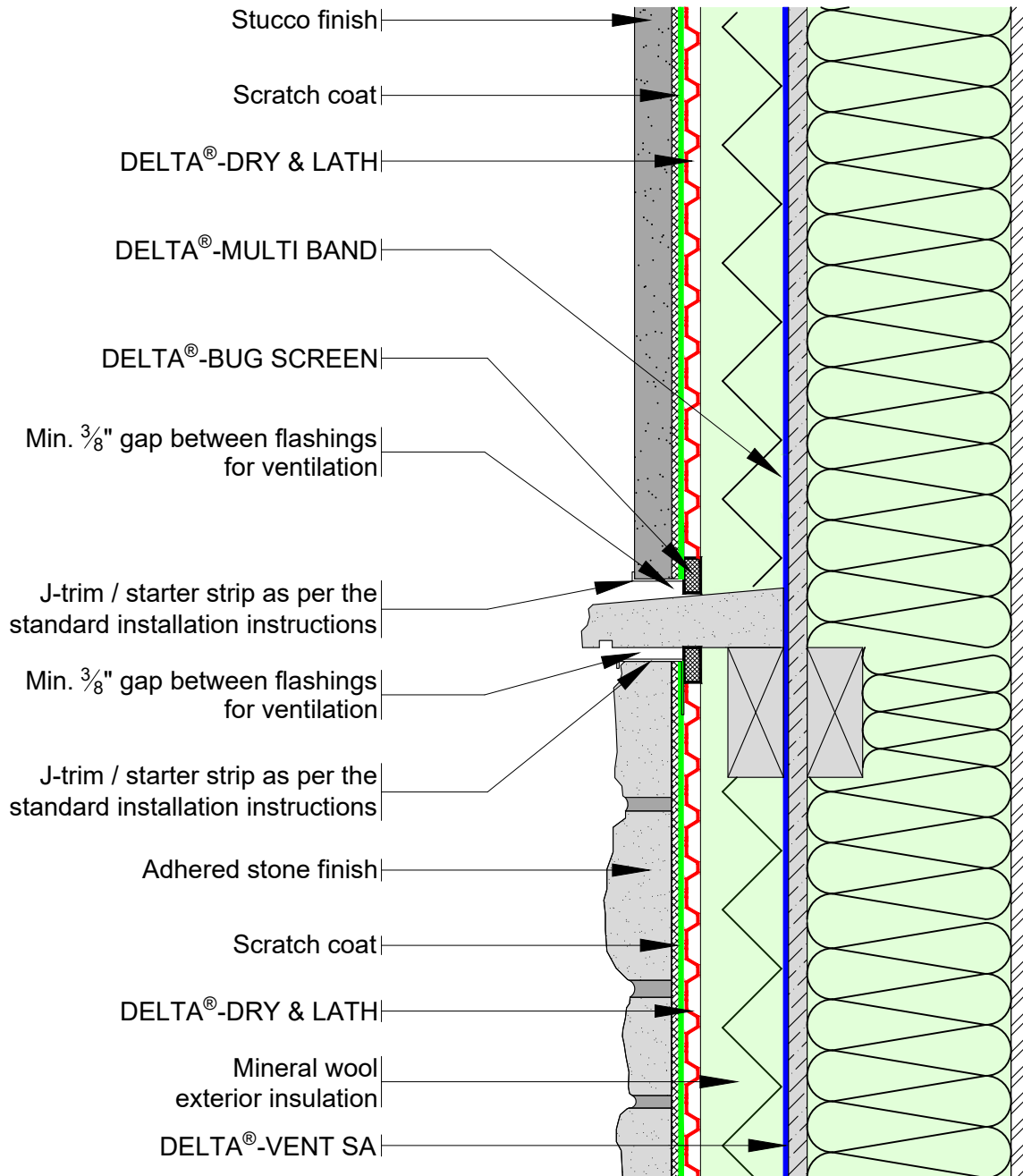
DELTA®-DRY & LATH WITH EXTERIOR INSULATION TOP OF WALL DETAIL

DRAWN BY: Krzysztof Apriasz C. Tech. CPHC®

DÖRKEN

DELTA®

4655 DELTA WAY BEAMSVILLE, ON.
L3J 0T6 CANADA



For proper performance of DELTA®-DRY ensure top and bottom remain open to allow ventilation and drainage

SUBSTANTIAL EFFORT HAS BEEN MADE TO ENSURE THAT THE INFORMATION IN THIS DETAIL DRAWING IS ACCURATE. DÖRKEN SYSTEMS INC. CANNOT ACCEPT RESPONSIBILITY FOR ANY ERRORS OR OVERSIGHTS IN THE USE OF THIS MATERIAL OR IN THE PREPARATION OF ARCHITECTURAL OR ENGINEERING PLANS. THE DESIGN PROFESSIONAL MUST RECOGNIZE THAT NO DESIGN DETAIL CAN SUBSTITUTE FOR EXPERIENCED ENGINEERING AND PROFESSIONAL JUDGEMENT.

TITLE:

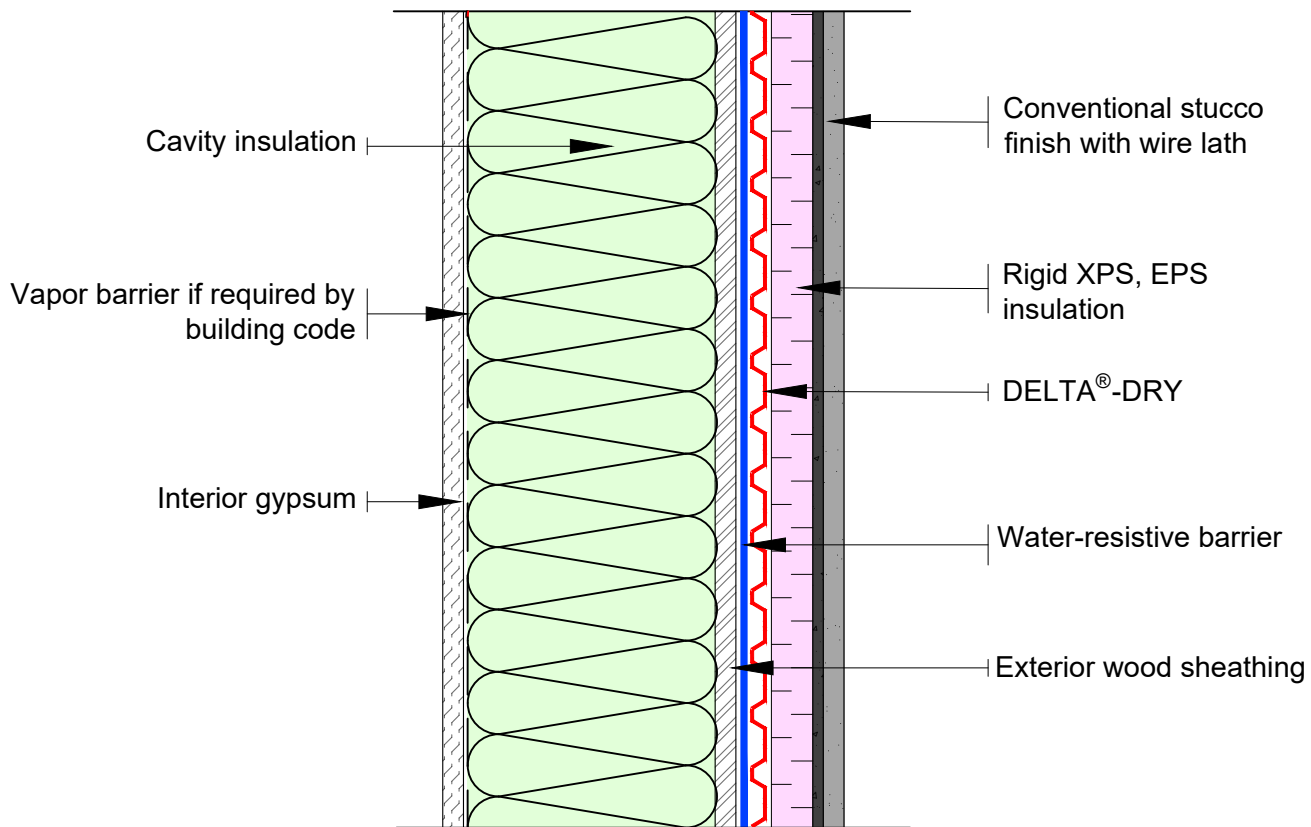
DELTA®-DRY & LATH WITH EXTERIOR INSULATION TYPICAL TRANSITION DETAIL

DRAWN BY: Krzysztof Apriasz C. Tech. CPHC®

DÖRKEN

DELTA®

4655 DELTA WAY BEAMSVILLE, ON.
L3J 0T6 CANADA



Option 1
 Will provide ventilation, drying and drainage if water gets behind the insulation.

****For proper performance of DELTA[®]-DRY ensure top and bottom remain open to allow ventilation and drainage****

SUBSTANTIAL EFFORT HAS BEEN MADE TO ENSURE THAT THE INFORMATION IN THIS DETAIL DRAWING IS ACCURATE. DÖRKEN SYSTEMS INC. CANNOT ACCEPT RESPONSIBILITY FOR ANY ERRORS OR OVERSIGHTS IN THE USE OF THIS MATERIAL OR IN THE PREPARATION OF ARCHITECTURAL OR ENGINEERING PLANS. THE DESIGN PROFESSIONAL MUST RECOGNIZE THAT NO DESIGN DETAIL CAN SUBSTITUTE FOR EXPERIENCED ENGINEERING AND PROFESSIONAL JUDGEMENT.

TITLE:

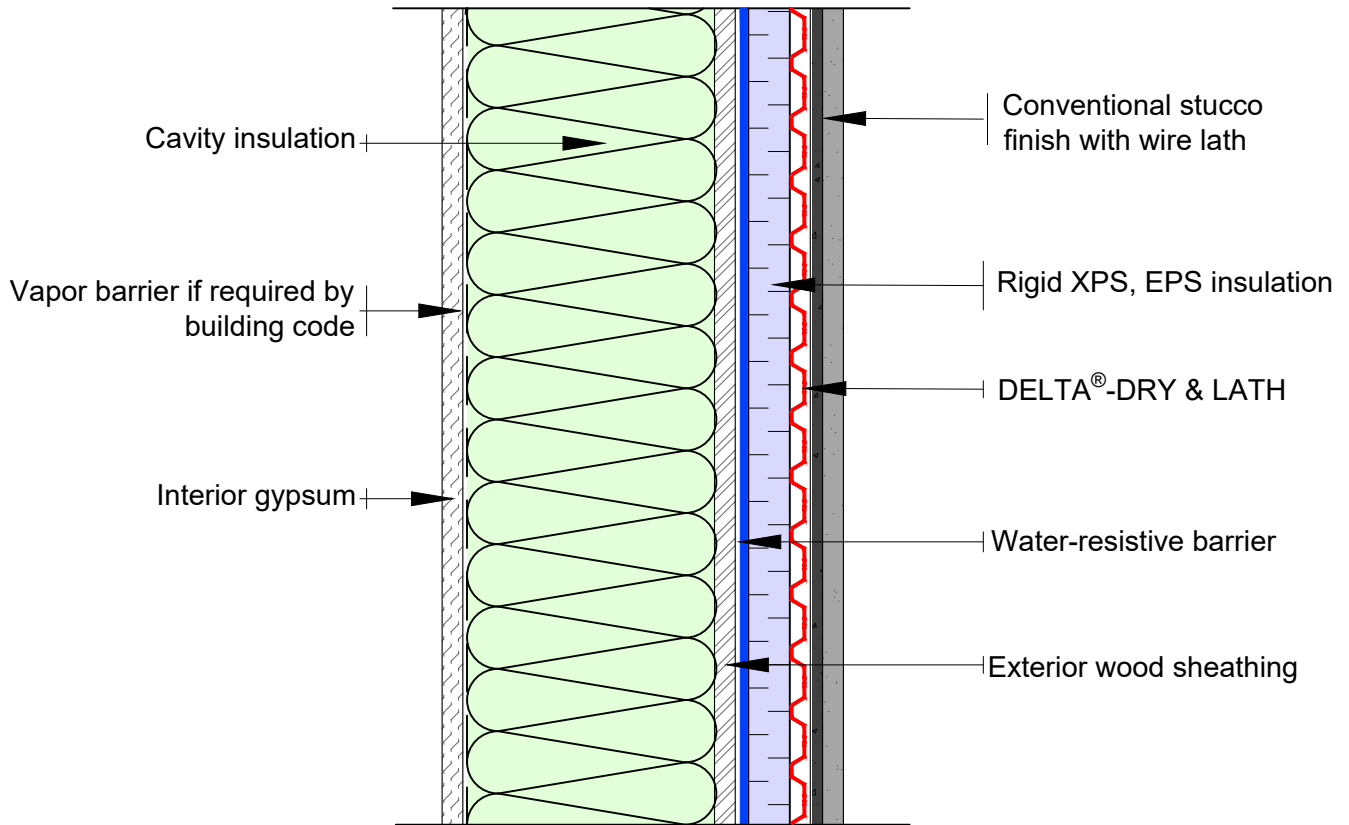
**TYPICAL RESIDENTIAL
 DELTA[®]-DRY WALL SECTION WITH XPS
 OR EPS RIGID INSULATION OPTION 1**

DRAWN BY: Krzysztof Apriasz C. Tech. CPHC[®]
 December 2020



DELTA[®]

4655 DELTA WAY BEAMSVILLE, ON.
 L3J 0T6 CANADA



Option 2
 Will provide drainage behind stucco only. Does not provide drying for exterior sheathing.

For proper performance of DELTA[®]-DRY ensure top and bottom remain open to allow ventilation and drainage

SUBSTANTIAL EFFORT HAS BEEN MADE TO ENSURE THAT THE INFORMATION IN THIS DETAIL DRAWING IS ACCURATE. DÖRKEN SYSTEMS INC. CANNOT ACCEPT RESPONSIBILITY FOR ANY ERRORS OR OVERSIGHTS IN THE USE OF THIS MATERIAL OR IN THE PREPARATION OF ARCHITECTURAL OR ENGINEERING PLANS. THE DESIGN PROFESSIONAL MUST RECOGNIZE THAT NO DESIGN DETAIL CAN SUBSTITUTE FOR EXPERIENCED ENGINEERING AND PROFESSIONAL JUDGEMENT.

TITLE:

TYPICAL RESIDENTIAL
 DELTA[®]-DRY & LATH WALL SECTION
 WITH XPS OR EPS RIGID INSULATION
 OPTION 2

DRAWN BY: Krzysztof Apriasz C. Tech. CPHC[®]
 December 2020

DÖRKEN

DELTA[®]

4655 DELTA WAY BEAMSVILLE, ON.
 L3J 0T6 CANADA